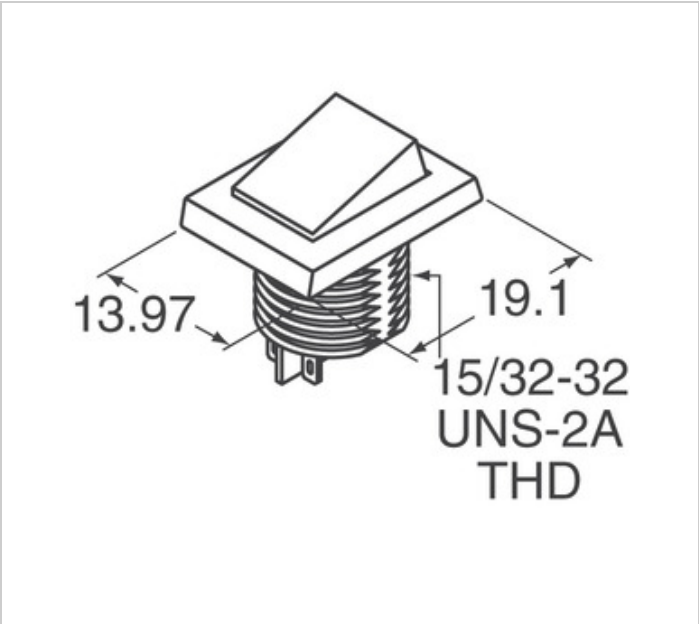


Agastat Relays / TE Connectivity

TRD13D12WL

Part Number: TRD13D12WL
 Manufacturer/Brand: Agastat Relays / TE Connectivity
 Product description: SWITCH ROCKER SPDT 3A 125V
 Datasheets: [1. TRD13D12WL.pdf](#)
[2. TRD13D12WL.pdf](#)
 RoHS Status: Contains lead / RoHS non-compliant
 Ship From: Hong Kong
 Shipment Way: DHL/Fedex/TNT/UPS/EMS



[REQUEST FOR QUOTATION](#)

Image may be representation. See specifications for product details.

Specifications of TRD13D12WL

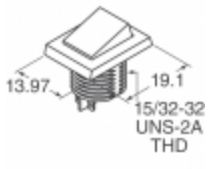
PART NUMBER	TRD13D12WL
MANUFACTURER	Agastat Relays / TE Connectivity
DESCRIPTION	SWITCH ROCKER SPDT 3A 125V
LEAD FREE STATUS / ROHS STATUS	Contains lead / RoHS non-compliant
DATA SHEET	1. TRD13D12WL.pdf 2. TRD13D12WL.pdf
VOLTAGE RATING - AC	125V
TERMINATION STYLE	Solder Lug
SWITCH FUNCTION	On-On
SERIES	TRD
PANEL CUTOUT DIMENSIONS	Circular - 11.90mm Dia
PACKAGING	Bulk
OTHER NAMES	7-1437595-7
OPERATING TEMPERATURE	-20°C ~ 80°C
MOUNTING TYPE	Panel Mount, Threaded Body with Nut
MECHANICAL LIFE	100,000 Cycles
LEAD FREE STATUS / ROHS STATUS	Contains lead / RoHS non-compliant
INGRESS PROTECTION	-
ILLUMINATION VOLTAGE (NOMINAL)	-
ILLUMINATION TYPE, COLOR	-
FEATURES	-
ELECTRICAL LIFE	20,000 Cycles
DETAILED DESCRIPTION	Rocker Switch SPDT 3A (AC) 125V Panel Mount, Threaded Body with Nut
CURRENT RATING	3A (AC)
COLOR - ACTUATOR/CAP	Red
CIRCUIT	SPDT
ACTUATOR TYPE	Concave (Curved)
ACTUATOR MARKING	No Marking

Related Tags

Agastat Relays / TE Connectivity TRD13D12WL	TRD13D12WL Distributor	TRD13D12WL Supplier
TRD13D12WL Price	TRD13D12WL Pictures	TRD13D12WL Image
TRD13D12WL PDF Datasheet	TRD13D12WL Download Datasheet	TRD13D12WL Datasheet
TRD13D12WL Stock	Buy TRD13D12WL	Buy Agastat Relays / TE Connectivity TRD13D12WL
Agastat Relays / TE Connectivity TRD13D12WL	Agastat Relays / TE Connectivity Supplier	Agastat Relays / TE Connectivity Distributor
Agastat Relays / TE Connectivity TRD13D12WL	Axicom Relays / TE Connectivity TRD13D12WL	Buchanan Terminal Blocks / TE Connectivity TRD13D12WL
CGS Resistors / TE Connectivity TRD13D12WL	CII / TE Connectivity TRD13D12WL	Elcon Connectors / TE Connectivity TRD13D12WL
Holsworthy Resistors / TE Connectivity TRD13D12WL	Kilovac Relays / TE Connectivity TRD13D12WL	Neohm Resistors / TE Connectivity TRD13D12WL
OEG Relays / TE Connectivity TRD13D12WL	Products Unlimited Transformers & Relays / TE Conn TRD13D12WL	Q-Cee's / TE Connectivity TRD13D12WL
Schrack Relays / TE Connectivity TRD13D12WL	Sigma Inductors / TE Connectivity TRD13D12WL	TE Connectivity's Agastat Relays TRD13D12WL
TE Connectivity's Axicom Relays TRD13D12WL	TE Connectivity's Buchanan Terminal Blocks TRD13D12WL	TE Connectivity's CGS Resistors TRD13D12WL
TE Connectivity's CII TRD13D12WL	TE Connectivity's Elcon Connectors TRD13D12WL	TE Connectivity's Holsworthy Resistors TRD13D12WL
TE Connectivity's Neohm Resistors TRD13D12WL	TE Connectivity's OEG Relays TRD13D12WL	TE Connectivity's Q-Cee's TRD13D12WL
TE Connectivity's Schrack Relays TRD13D12WL	TE Connectivity's Sigma Inductors TRD13D12WL	TE Connectivity's Products Unlimited Transformers TRD13D12WL
TE Connectivity's Kilovac Relays TRD13D12WL		

Related Products

<p>TRD13D10WLLR504 Manufacturers: Agastat Relays / TE Connectivity Description: SWITCH ROCKER SPDT 3A 125V In stock: Out stock RFQ</p>	<p>TRD13D10WLLR2504 Manufacturers: Agastat Relays / TE Connectivity Description: SWITCH ROCKER SPDT 3A 125V In stock: 59 pcs RFQ</p>
<p>TRD13E10WLLR204 Manufacturers: Agastat Relays / TE Connectivity Description: SWITCH ROCKER SPDT 3A 125V In stock: Out stock RFQ</p>	<p>TRD13F10QC Manufacturers: Agastat Relays / TE Connectivity Description: SWITCH ROCKER SPDT 3A 125V In stock: Out stock RFQ</p>
<p>TRD13E10WL Manufacturers: Agastat Relays / TE Connectivity Description: SWITCH ROCKER SPDT 3A 125V In stock: Out stock RFQ</p>	<p>TRD13F10QC04 Manufacturers: Agastat Relays / TE Connectivity Description: SWITCH ROCKER SPDT 3A 125V In stock: Out stock RFQ</p>
<p>TRD13E10QC Manufacturers: Agastat Relays / TE Connectivity Description: SWITCH ROCKER SPDT 3A 125V In stock: Out stock RFQ</p>	<p>TRD13D10WLLR25 Manufacturers: Agastat Relays / TE Connectivity Description: SWITCH ROCKER SPDT 3A 125V In stock: Out stock RFQ</p>
<p>TRD13D10WLLR5 Manufacturers: Agastat Relays / TE Connectivity Description: SWITCH ROCKER SPDT 3A 125V In stock: Out stock RFQ</p>	<p>TRD13E10WLLR2 Manufacturers: Agastat Relays / TE Connectivity Description: SWITCH ROCKER SPDT 3A 125V In stock: Out stock RFQ</p>



TRD13D10WW

Manufacturers: Agastat Relays / TE Connectivity
Description: SWITCH ROCKER SPDT 3A 125V
In stock: Out stock

RFQ



TRD13D10WLLR204

Manufacturers: Agastat Relays / TE Connectivity
Description: SWITCH ROCKER SPDT 3A 125V
In stock: 552 pcs

RFQ

Copyright © 2020 Reliable Distributor of Electronic Components - Ocean-Components.com

E-mail: Info@Ocean-Components.com

Address: Room 2102, Connaught Commercial Building, 185 Wan Chai Rd, Wan Chai, Hong Kong

