




Omron

D2SW-P01L1-2M

Part Number:	D2SW-P01L1-2M
Manufacturer/Brand:	Omron
Product description:	SW SNAP ACT SPST-NC 100MA 125V
Datasheets:	PDF D2SW-P01L1-2M.pdf
RoHS Status:	 Lead free / RoHS Compliant
Ship From:	Hong Kong
Shipment Way:	DHL/Fedex/TNT/UPS/EMS

[REQUEST FOR QUOTATION](#)

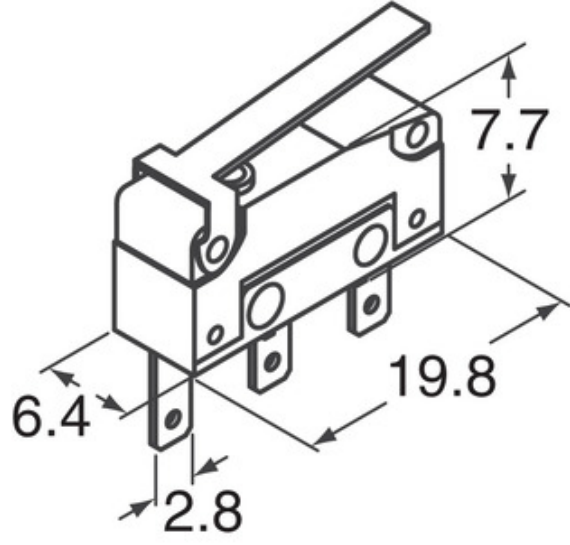


Image may be representation. See specifications for product details.


Specifications of D2SW-P01L1-2M

PART NUMBER	D2SW-P01L1-2M
MANUFACTURER	Omron
DESCRIPTION	SW SNAP ACT SPST-NC 100MA 125V
LEAD FREE STATUS / ROHS STATUS	Lead free / RoHS Compliant
DATA SHEET	PDF D2SW-P01L1-2M.pdf
VOLTAGE RATING - DC	30V
VOLTAGE RATING - AC	125V
TERMINATION STYLE	Wire Leads
SWITCH FUNCTION	On-Mom
SERIES	D2SW-P
RELEASE FORCE	5.099gf
PRETRAVEL	-
PACKAGING	Bulk
OVERTRAVEL	0.030" (0.76mm)
OTHER NAMES	D2SW-P01L1-2M BY OMZ D2SW-P01L1-2M BYOMZ D2SWP01L12M D2SWP01L12MBYOMZ
OPERATING TEMPERATURE	-20°C ~ 70°C
OPERATING POSITION	0.345" (8.8mm)
OPERATING FORCE	61gf
MOUNTING TYPE	Chassis Mount
MOISTURE SENSITIVITY LEVEL (MSL)	1 (Unlimited)
MECHANICAL LIFE	1,000,000 Cycles
MANUFACTURER STANDARD LEAD TIME	22 Weeks
LEAD FREE STATUS / ROHS STATUS	Lead free / RoHS Compliant
INGRESS PROTECTION	IP67 - Dust Tight, Waterproof
FEATURES	-
ELECTRICAL LIFE	200,000 Cycles
DIFFERENTIAL TRAVEL	0.031" (0.8mm)
CURRENT RATING	100mA (AC/DC)
CIRCUIT	SPST-NC
ACTUATOR TYPE	Lever, Straight

Related Tags

Omron D2SW-P01L1-2M	D2SW-P01L1-2M Distributor	D2SW-P01L1-2M Supplier
D2SW-P01L1-2M Price	D2SW-P01L1-2M Pictures	D2SW-P01L1-2M Image
D2SW-P01L1-2M PDF Datasheet	D2SW-P01L1-2M Download Datasheet	D2SW-P01L1-2M Datasheet
D2SW-P01L1-2M Stock	Buy D2SW-P01L1-2M	Buy Omron D2SW-P01L1-2M
Omron D2SW-P01L1-2M	Omron Supplier	Omron Distributor
Omron D2SW-P01L1-2M	Omron Electronics Inc-IA Div D2SW-P01L1-2M	Omron Electronics Inc-EMC Div D2SW-P01L1-2M
Omron Electronics LLC D2SW-P01L1-2M		

Related Products

 <p>D2SW-P01D Manufacturers: Omron Description: SWITCH SNAP ACT SPDT 100MA 125V In stock: Out stock RFQ</p>	 <p>D2SW-3TS Manufacturers: Omron Description: SWITCH SNAP ACTION SPDT 3A 125V In stock: 498 pcs RFQ</p>
 <p>D2SW-P01L1B Manufacturers: Omron Description: SWITCH SNAP ACT SPDT 100MA 125V In stock: 500 pcs RFQ</p>	 <p>D2SW-P01L1H Manufacturers: Omron Description: SWITCH SNAP ACT SPDT 100MA 125V In stock: Out stock RFQ</p>
 <p>D2SW-P01B Manufacturers: Omron Description: MINIATURE BASIC SWITCH In stock: Out stock RFQ</p>	 <p>D2SW-P01L1T Manufacturers: Omron Description: SWITCH SNAP ACT SPDT 100MA 125V In stock: Out stock RFQ</p>
 <p>D2SW-P01-3M Manufacturers: Omron Description: SW SNAP ACT SPST-NO 100MA 125V In stock: Out stock RFQ</p>	 <p>D2SW-P01L1D Manufacturers: Omron Description: SWITCH SNAP ACT SPDT 100MA 125V In stock: 488 pcs RFQ</p>
 <p>D2SW-P01L2B Manufacturers: Omron Description: MINIATURE BASIC SWITCH In stock: Out stock RFQ</p>	 <p>D2SW-P01L1M Manufacturers: Omron Description: SWITCH SNAP ACT SPDT 100MA 125V In stock: Out stock RFQ</p>
 <p>D2SW-P01H Manufacturers: Omron Description: SWITCH SNAP ACT SPDT 100MA 125V In stock: Out stock RFQ</p>	 <p>D2SW-P01-2M Manufacturers: Omron Description: SW SNAP ACT SPST-NC 100MA 125V In stock: Out stock RFQ</p>