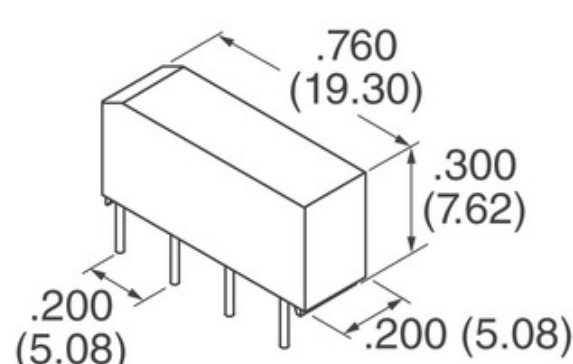




Coto Technology

9001-12-11

Part Number: 9001-12-11
 Manufacturer/Brand: Coto Technology
 Product description: RELAY REED SPST 500MA 12V
 Datasheets: [9001-12-11.pdf](#)
 RoHS Status: Lead free / RoHS Compliant
 Ship From: Hong Kong
 Shipment Way: DHL/Fedex/TNT/UPS/EMS



[REQUEST FOR QUOTATION](#)

Image may be representation. See specifications for product details.

Specifications of 9001-12-11

PART NUMBER	9001-12-11
MANUFACTURER	Coto Technology
DESCRIPTION	RELAY REED SPST 500MA 12V
LEAD FREE STATUS / ROHS STATUS	Lead free / RoHS Compliant
DATA SHEET	9001-12-11.pdf
TURN ON VOLTAGE (MAX)	9 VDC
TURN OFF VOLTAGE (MIN)	1 VDC
TERMINATION STYLE	PC Pin
SWITCHING VOLTAGE	200VAC, 200VDC - Max
SERIES	9000
RELEASE TIME	0.1ms
PACKAGING	Tube
OPERATING TEMPERATURE	-20°C ~ 85°C
OPERATE TIME	0.35ms
MOUNTING TYPE	Through Hole
MOISTURE SENSITIVITY LEVEL (MSL)	1 (Unlimited)
MANUFACTURER STANDARD LEAD TIME	20 Weeks
LEAD FREE STATUS / ROHS STATUS	Lead free / RoHS Compliant
FEATURES	Diode, Magnetic Shield
CONTACT RATING (CURRENT)	500mA
CONTACT MATERIAL	-
CONTACT FORM	SPST-NO (1 Form A)
COIL VOLTAGE	12VDC
COIL TYPE	Non Latching
COIL RESISTANCE	1 kOhms
COIL POWER	-
COIL CURRENT	12.0mA

Related Tags

Coto Technology 9001-12-11	9001-12-11 Distributor	9001-12-11 Supplier
9001-12-11 Price	9001-12-11 Pictures	9001-12-11 Image
9001-12-11 PDF Datasheet	9001-12-11 Download Datasheet	9001-12-11 Datasheet
9001-12-11 Stock	Buy 9001-12-11	Buy Coto Technology 9001-12-11
Coto Technology 9001-12-11	Coto Technology Supplier	Coto Technology Distributor
Coto Technology 9001-12-11		

Related Products

<p>900103X082CN Manufacturers: VCC (Visual Communications Company) Description: LED CARTRIDGE 14V 80MA SHORT CYL In stock: Out stock RFQ</p>	<p>9001-100-1081 Manufacturers: API Technologies Corp. Description: FILTER LC(PI) 2.8UF CHASSIS In stock: 4 pcs RFQ</p>
<p>9001-125 Manufacturers: E-T-A Description: SENSOR CURRENT SWITCH 125A DC In stock: Out stock RFQ</p>	<p>9001-100-1025 Manufacturers: API Technologies Corp. Description: FILTER LC(PI) 0.3UF CHASSIS In stock: Out stock RFQ</p>
<p>9001-150 Manufacturers: E-T-A Description: SENSOR CURRENT SWITCH 150A DC In stock: Out stock RFQ</p>	<p>900102X082CN Manufacturers: VCC (Visual Communications Company) Description: LED CARTRIDGE 6.3V 200MA CYL In stock: Out stock RFQ</p>
<p>9001-12-10 Manufacturers: Coto Technology Description: RELAY REED SPST 500MA 12V In stock: 185 pcs RFQ</p>	<p>900103X081RN Manufacturers: VCC (Visual Communications Company) Description: LED CARTRIDGE RED 14V 80MA CYL In stock: Out stock RFQ</p>
<p>9001-12-01 Manufacturers: Coto Technology Description: RELAY REED SPST 500MA 12V In stock: Out stock RFQ</p>	<p>9001-12-00 Manufacturers: Coto Technology Description: RELAY REED SPST 500MA 12V In stock: Out stock RFQ</p>
<p>900104X071WN Manufacturers: VCC (Visual Communications Company) Description: LED CARTRIDGE WHT 28V 40MA CYL In stock: Out stock RFQ</p>	<p>9001-100-1080 Manufacturers: API Technologies Corp. Description: FILTER LC(PI) 2.8UF CHASSIS In stock: Out stock RFQ</p>