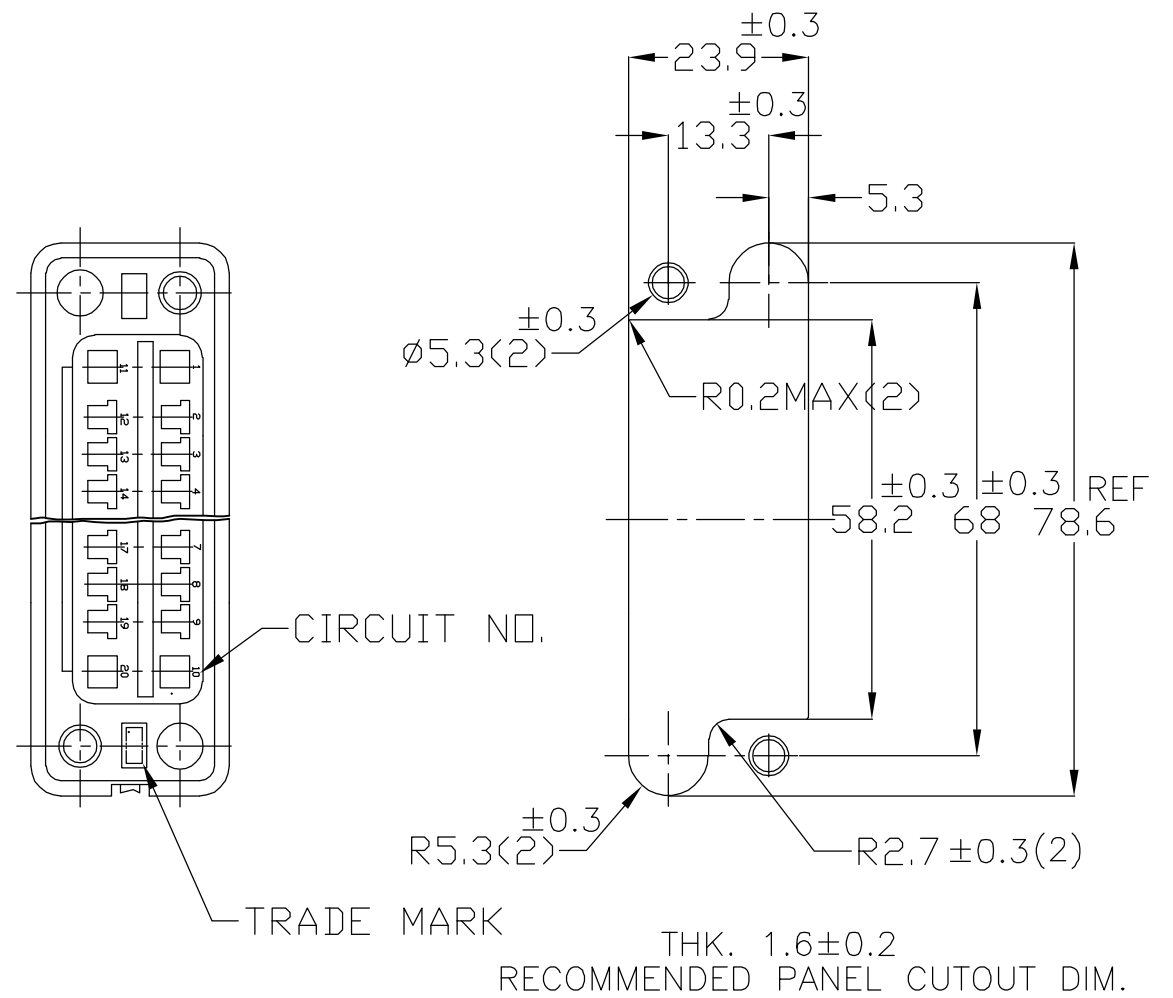
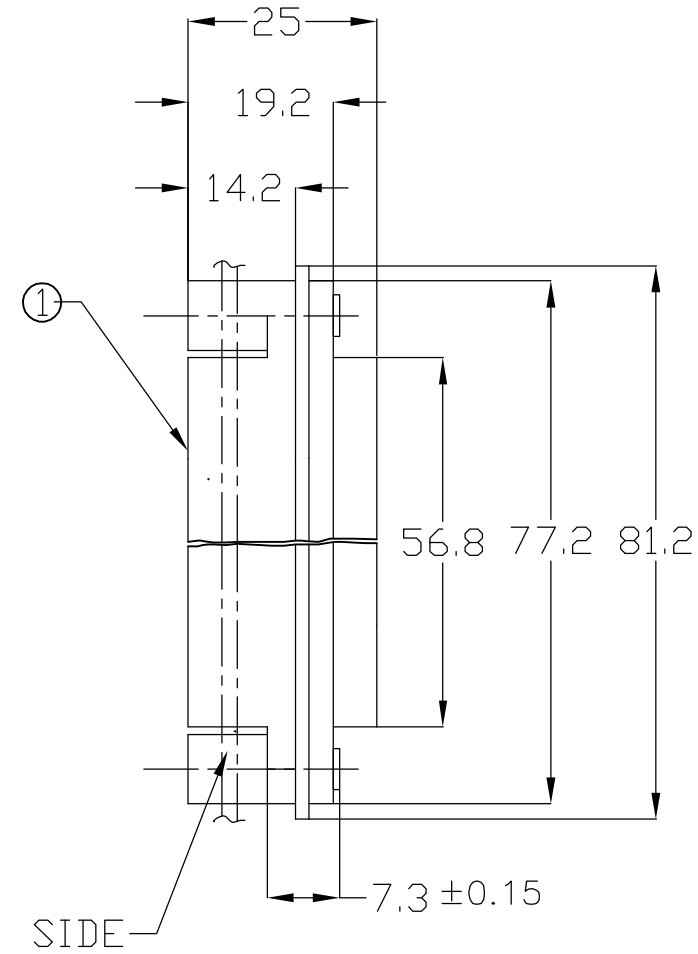
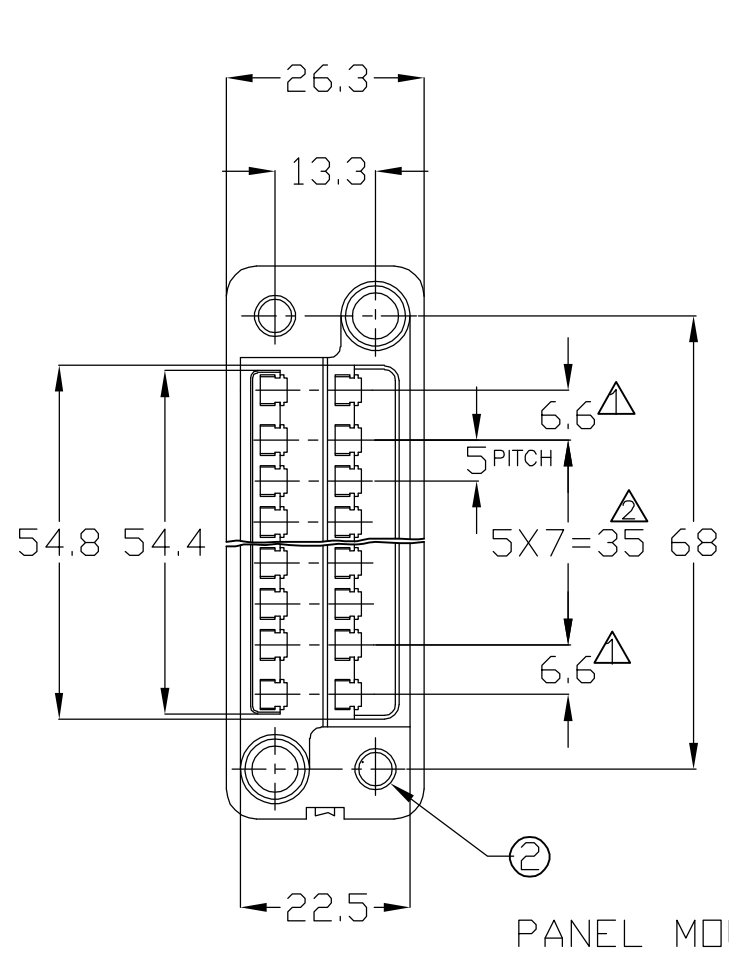


THIS DRAWING IS UNPUBLISHED. RELEASED FOR PUBLICATION
 © COPYRIGHT BY TYCO ELECTRONICS CORPORATION. ALL RIGHTS RESERVED.

LOC	DIST	REVISIONS					
P	LTR	DESCRIPTION	DATE	DWN	APVD		
J	-	A	RELEASED	ECR-05-009552	21JUL05	C.Z	S.Y



NOTES:
 ▲ FOR POWER CIRCUITS (4 POS.)
 ▲ FOR SIGNAL CIRCUITS (16 POS.)
 3. ACCOMMODATED CONTACTS ARE STRIP P/N 170311, 170312, 170484 L.P P/N 170313, 170314, 170485
 4. MAIL HSG P/N IS 1703032
 ▲ MATERIAL:
 HOUSING: PBT 94V-0
 BUSH: JIS H3250, C3602 BD-F
 ▲ FINISH:
 NICKEL PLATED PER AMP SPEC 112-25.

PANEL MOUNTING SIDE

NUMBER	NAME	REMARKS	ITEM No.
2	1-172065-3	FLOATING BUSH ASS'Y	(4mm) 2
1	173031-3	DRAWER CONN. FEMALE HSG	20 POS. (4mm) 1

THIS DRAWING IS A CONTROLLED DOCUMENT.		DWN C.ZHU 21JUL05	Tyco Electronics AMP K.K. Kawasaki, Japan													
DIMENSIONS: mm		CHK I.WANG 21JUL05	Tyco Electronics													
TOLERANCES UNLESS OTHERWISE SPECIFIED:		APVD S.YAO 21JUL05	NAME 20POS FEMALE HSG ASS'Y DRAWER CONNECTOR													
<table border="1"> <tr><td>0 PLC</td><td>± 0.4</td></tr> <tr><td>1 PLC</td><td>± 0.4</td></tr> <tr><td>2 PLC</td><td>± 0.4</td></tr> <tr><td>3 PLC</td><td>± 0.4</td></tr> <tr><td>4 PLC</td><td>± 0.4</td></tr> <tr><td>ANGLES</td><td>± -</td></tr> </table>		0 PLC	± 0.4	1 PLC	± 0.4	2 PLC	± 0.4	3 PLC	± 0.4	4 PLC	± 0.4	ANGLES	± -	PRODUCT SPEC -	SIZE A3	CAGE CODE 00779
0 PLC	± 0.4															
1 PLC	± 0.4															
2 PLC	± 0.4															
3 PLC	± 0.4															
4 PLC	± 0.4															
ANGLES	± -															
MATERIAL		APPLICATION SPEC -	DRAWING NO G-5173033	RESTRICTED TO -												
FINISH		WEIGHT -	SCALE 1:1 SHEET 1 OF 1 REV A													
CUSTOMER DRAWING																