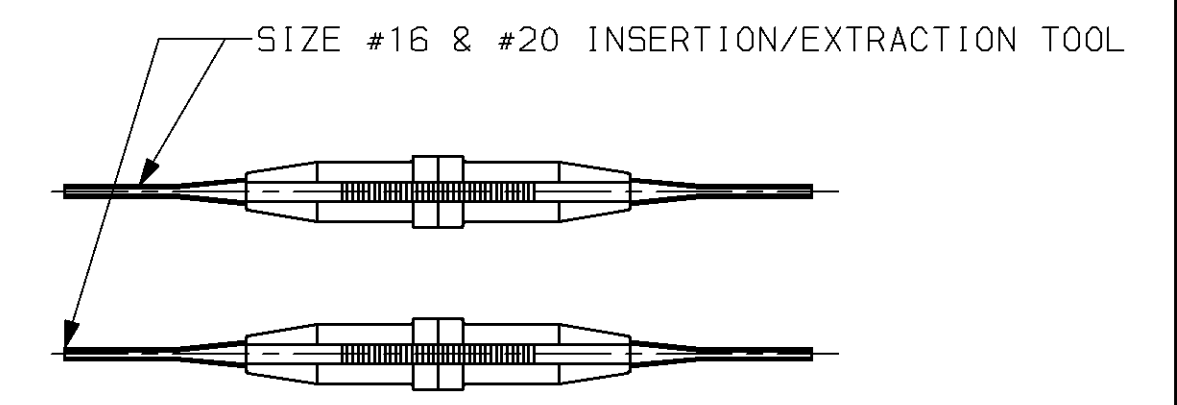
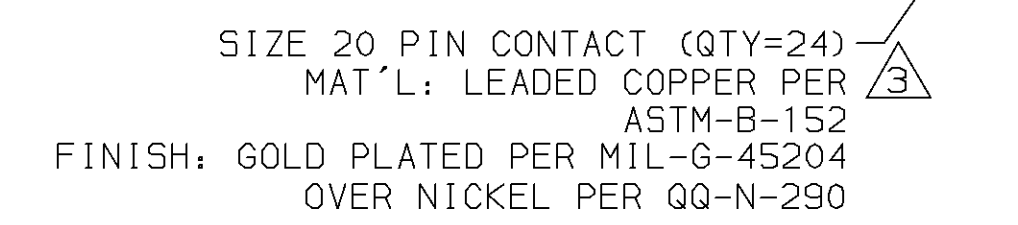
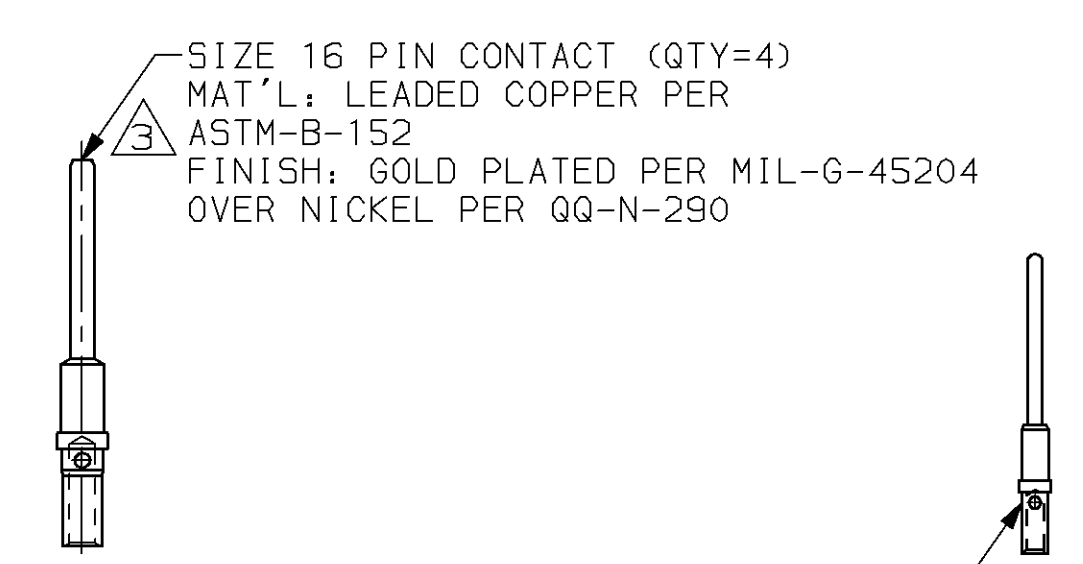
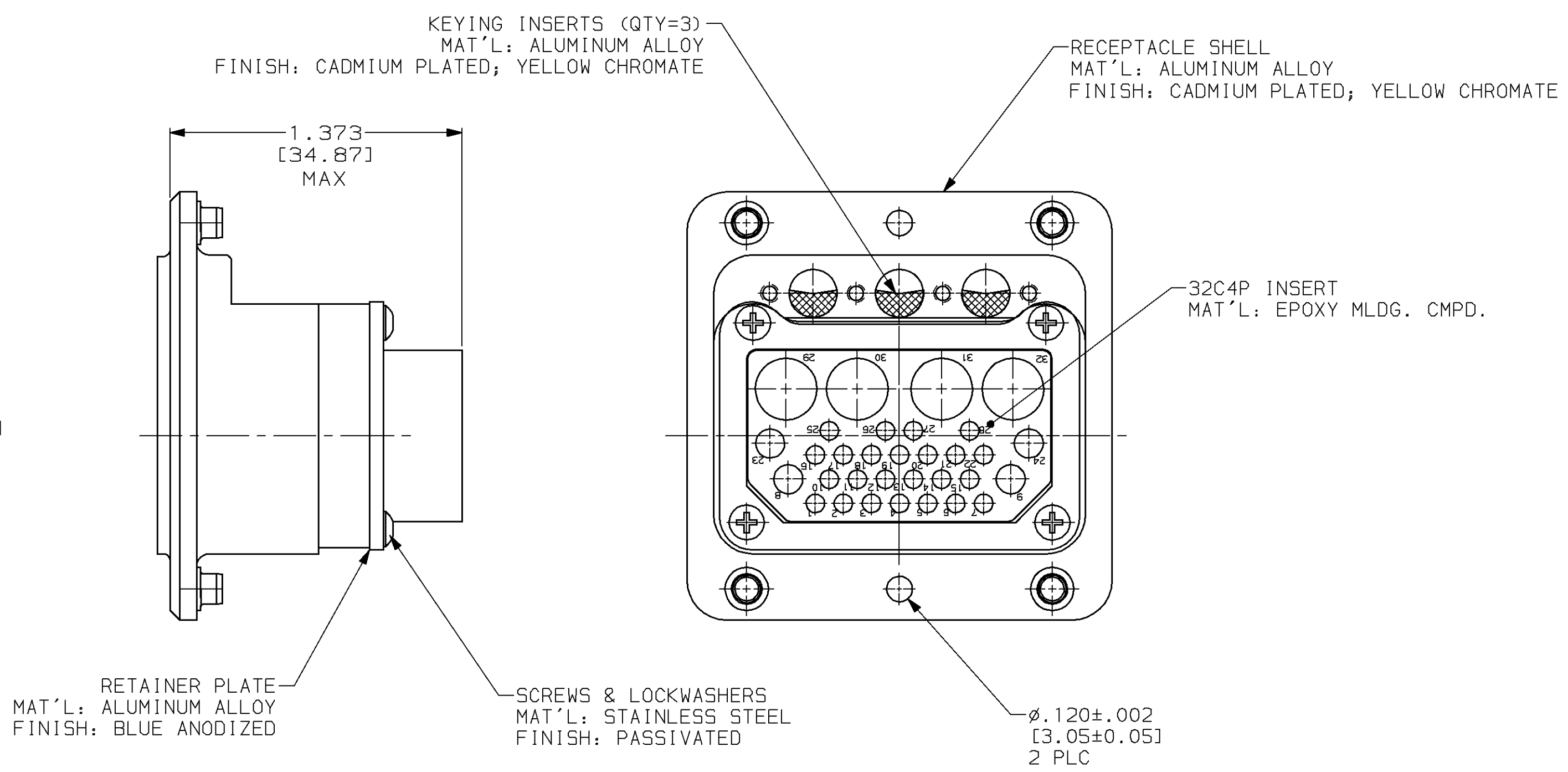
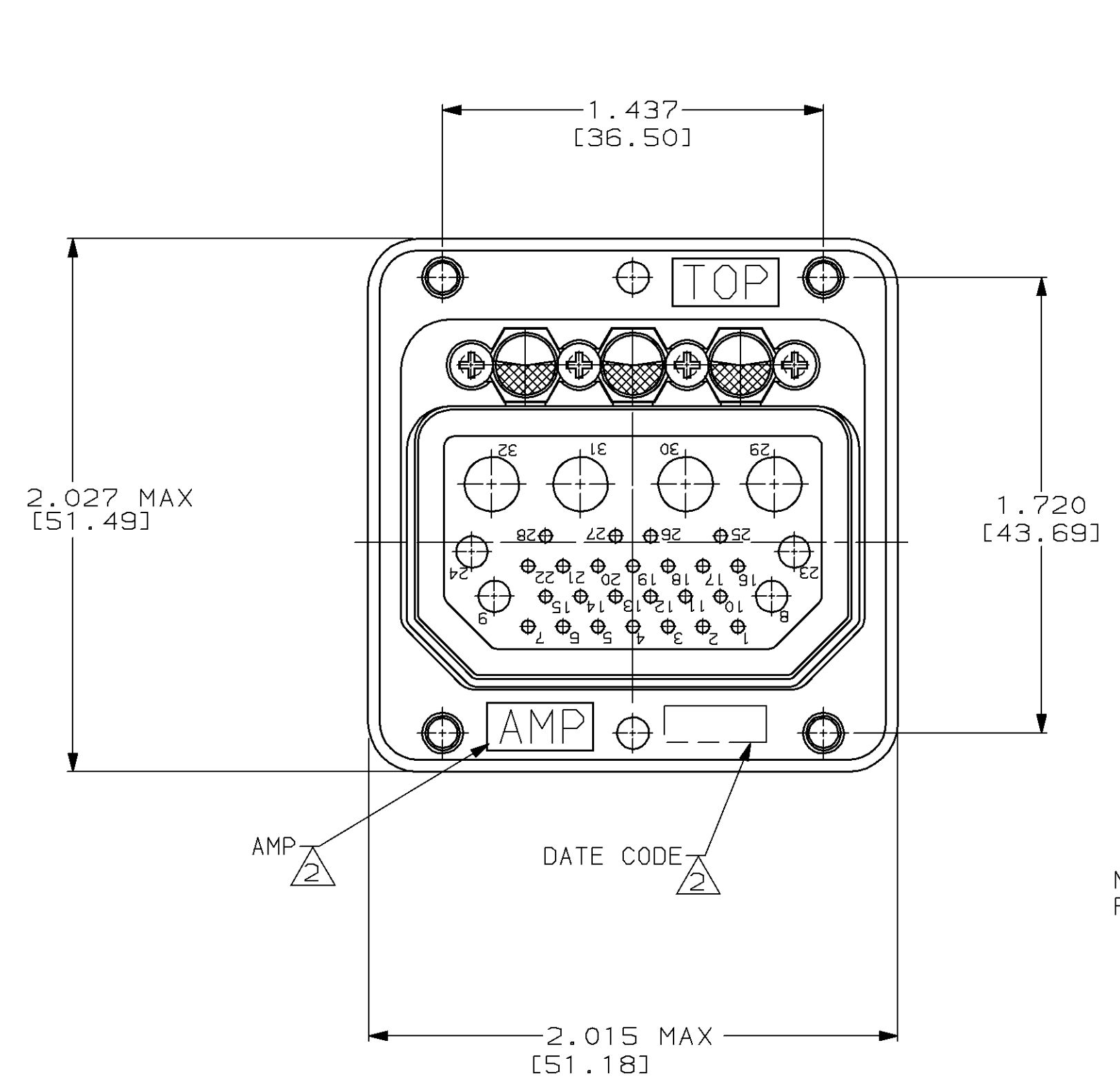
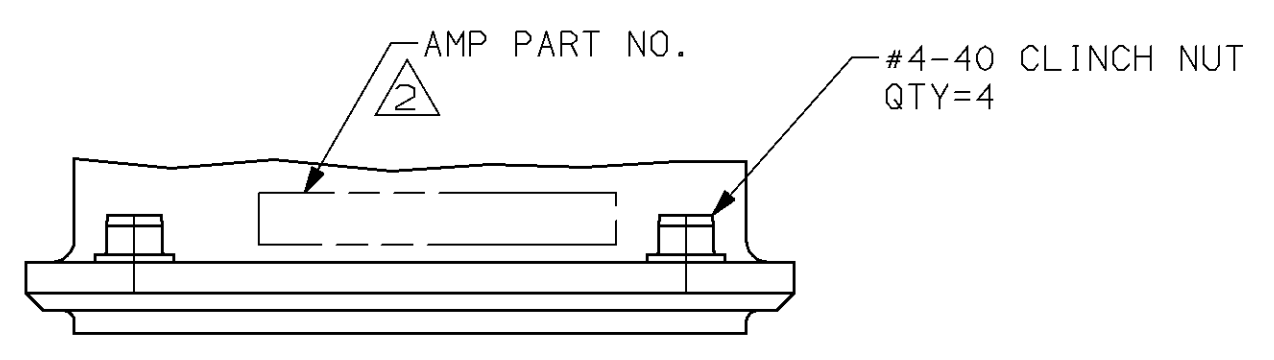


LOC		DIST		REVISIONS			
DF	AO	P	LTR	DESCRIPTION	DATE	DMN	APVD
		A		REV PER 0600-7485-98	5-98	CT	JW



- KEYING ASSEMBLED IN POSITION 01.
- △ AMP, AMP PART NO. AND DATE CODE MARKED IN AREA SHOWN.
  - △ CONTACTS ARE PACKAGED IN A SEPARATE CONTAINER AND SHIPPED WITH CONNECTOR. COAX CONTACTS MUST BE ORDERED SEPARATELY.

1218039-1  
 PART NUMBER

THIS DRAWING IS A CONTROLLED DOCUMENT.		DMN C. C. THOMAS 5-19-98	AMP Incorporated Harrisburg, PA 17105-3508
DIMENSIONS: INCHES (MM)		CHK J. WEAVER 5-19-98	AMP J. WEAVER 5-19-98
TOLERANCES UNLESS OTHERWISE SPECIFIED:		PRODUCT SPEC	NAME RECEPTACLE ASSY, ARINC 404 RM1R32C4P-0101
0 PLC ±.005	1 PLC ±.005	APPLICATION SPEC	SIZE A1
2 PLC ±.005	3 PLC ±.005 (0.13)	WEIGHT	CAGE CODE 00779
4 PLC ±.005	ANGLES ±.005	CUSTOMER DRAWING	DRAWING NO 1218039
MATERIAL SEE CALLOUTS		RESTRICTED TO	
FINISH SEE CALLOUTS		SCALE 2:1	
		SHEET 1 OF 1	
		REV A	