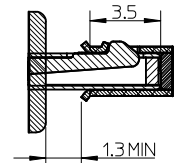
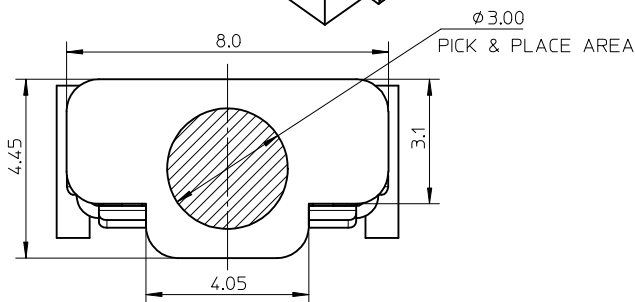


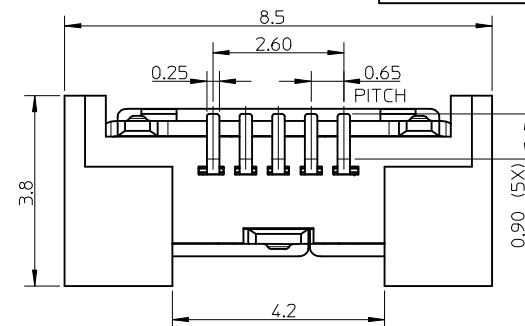
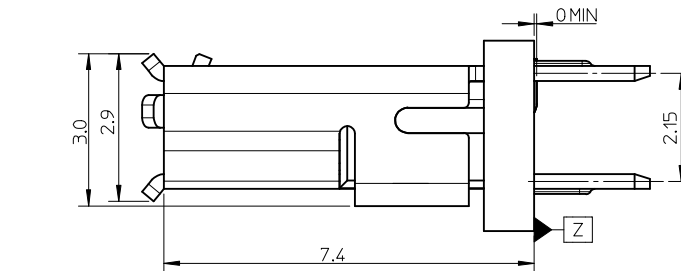
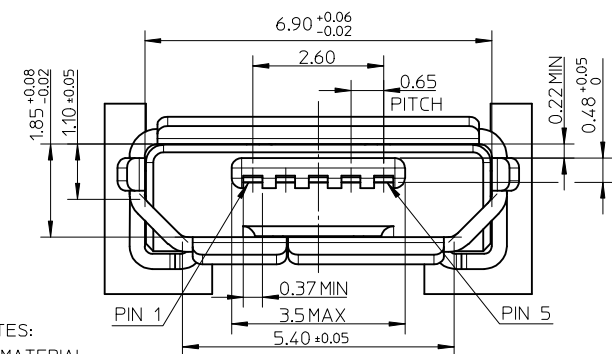
RECOMMENDED PCB LAYOUT (THICKNESS=1.6mm)
GENERAL TOLERANCE: ±0.05



MATING CONDITION

PIN	NAME
5	GND
4	ID
3	D+
2	D-
1	VBUS

PIN ASSIGNMENT



NOTES:

- MATERIAL:
HOUSING & COVER: HIGH TEMPERATURE THERMOPLASTIC, BLACK, UL94V-0;
TERMINAL: COPPER ALLOY, THICKNESS: 0.15mm;
SHELL: STAINLESS STEEL, THICKNESS: 0.30mm.
- PLATING:
TERMINAL: CONTACT AREA: GOLD FLASH OVER MINIMUM 0.75 MICRON Pd/Ni;
SOLDER TAIL AREA: GOLD FLASH;
UNDER PLATING: NICKEL 2.0 MICRON MINIMUM.
SHELL: MATTE TIN 1.27 MICRON MINIMUM;
UNDER PLATING: NICKEL 1.27 MICRON MINIMUM.
- TAIL COPLANARITY 0.08mm MAXIMUM.
- PRODUCT SPECIFICATION: PS-47642-001.
- PACKAGE SPECIFICATION: PK-105133-002.
- COMPLIANT TO RoHS DIRECTIVE 2011/65/EU AND ELV 2000/53/EC.

REV	DESCRIPTION	QUALITY SYMBOLS	GENERAL TOLERANCES (UNLESS SPECIFIED)		DIMENSION STYLE		SCALE	DESIGN UNITS	THIRD ANGLE PROJECTION
			mm	INCH	MM ONLY	1:1	METRIC	THIRD ANGLE PROJECTION	
B	ADD MATING VIEW EC NO: SH2016-0313 DRWN: XQZHANG 2016/05/05 CHKD: XQZHANG 2016/06/01 APPR: AYIN 2016/06/02	$F_A=0$ $F_G=0$ $F_P=0$	4 PLACES	± ---	± ---	DRAWN BY	DATE	TITLE	SALES DRAWING FOR USB MICRO-B, VERTICAL TYPE
			3 PLACES	± ---	± ---	XQZHANG	2013/04/03		
			2 PLACES	± 0.20	± ---	CHECKED BY	DATE		
			1 PLACE	± 0.25	± ---	XQZHANG	2013/04/03		
			0 PLACE	± ---	± ---	APPROVED BY	DATE		
			ANGULAR ± 3 °			AYIN	2013/11/25	DOCUMENT NO.	SHEET NO.
			DRAFT WHERE APPLICABLE MUST REMAIN WITHIN DIMENSIONS			MATERIAL NO.	105133-0021		
			THIS DRAWING CONTAINS INFORMATION THAT IS PROPRIETARY TO MOLEX INCORPORATED AND SHOULD NOT BE USED WITHOUT WRITTEN PERMISSION						