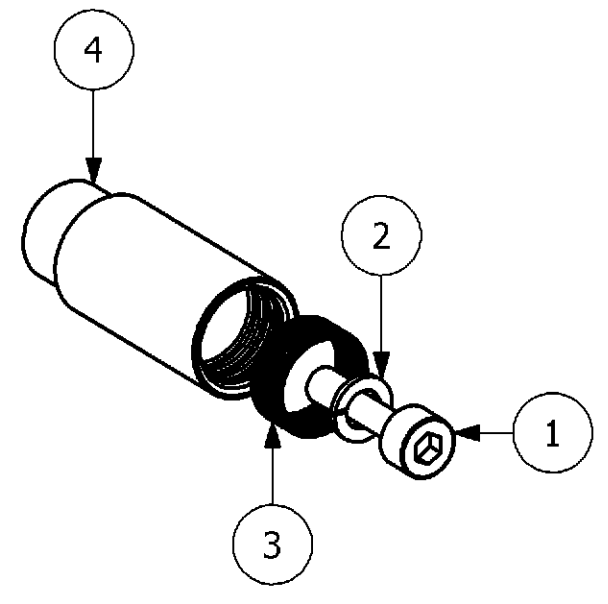
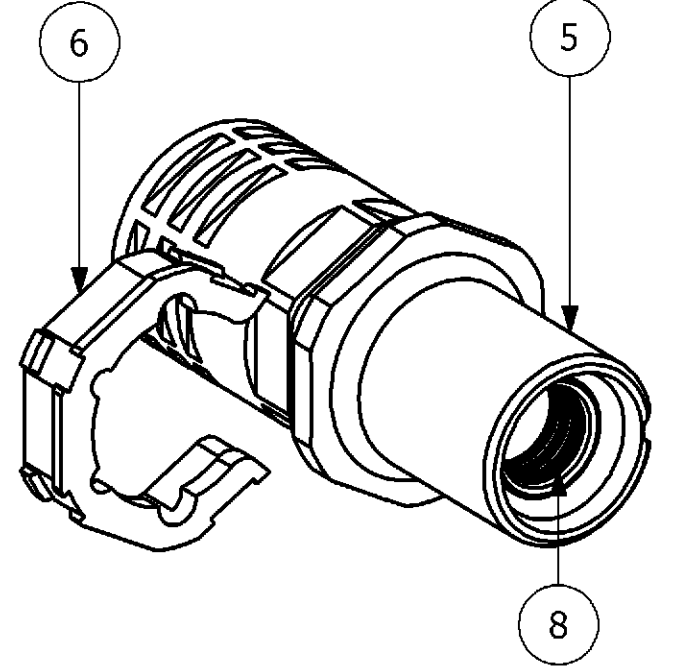


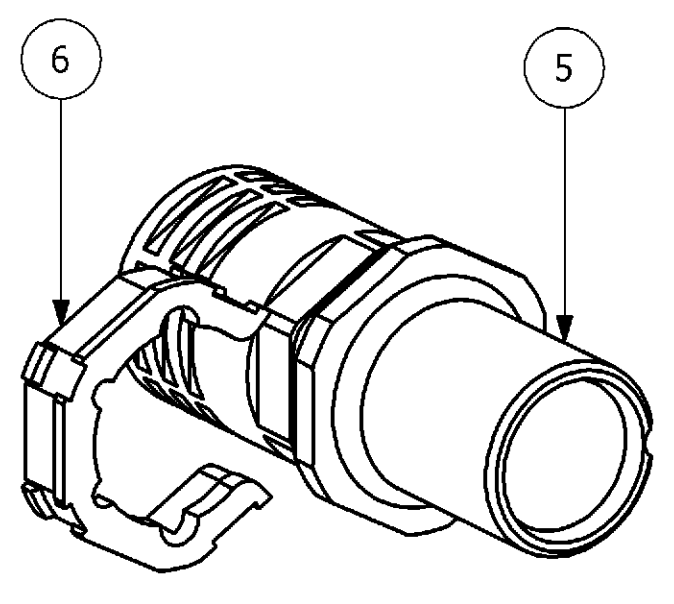
| LOC         | DIST    | REVISIONS<br>ÄNDERUNGEN |     |                             | DATE       | DWN | APVD |
|-------------|---------|-------------------------|-----|-----------------------------|------------|-----|------|
| AI          | -       | P                       | LTR | DESCRIPTION<br>BESCHREIBUNG |            |     |      |
| PROJEKT NR. | B901815 | A3                      |     | PN 0-6 ADDED ECR-022867     | 19.09.2006 | GW  | BR   |



PN 0-1/0-6

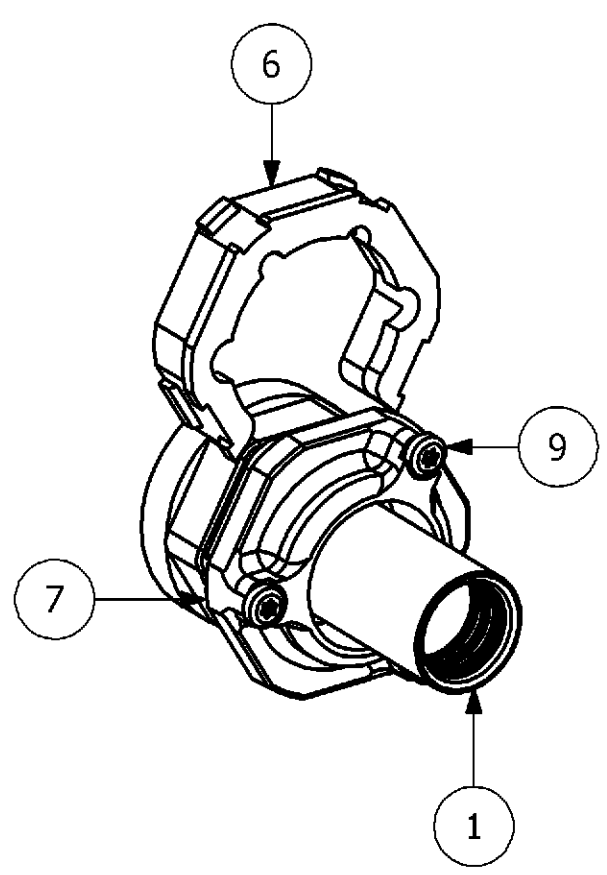


PN 0-2

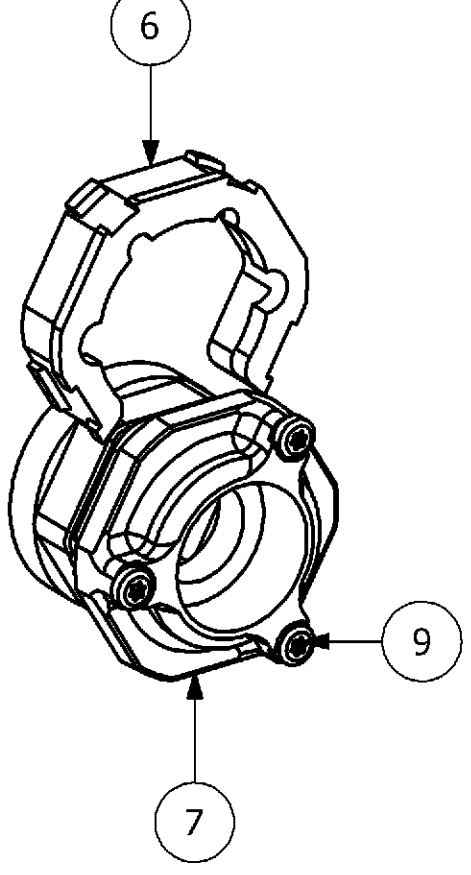


PN 0-3

- NOTES**
- 1 PACKAGING PN 01-05  
PACKAGING QUANTITY: 5 PIECES
  - 2 PACKAGING PN 06  
PACKAGING QUANTITY: 1 PIECE
  - SEE TYCO QUALITYMANAGEMENT PROCEDURE NO. 1.12 CURRENT REV.



PN 0-4



PN 0-5

| QTY | REF | DESCRIPTION | Material | Surcace/Color | ITEM/NO. |                                   |          |               |          |
|-----|-----|-------------|----------|---------------|----------|-----------------------------------|----------|---------------|----------|
| -   | 3   | 3           | -        | -             | 9        | M3X11.5, SELFLOCKING, PRE MOUNTED |          |               |          |
| -   | -   | 1           | -        | -             | 8        | LOOSE ADDED                       |          |               |          |
| -   | 1   | 1           | -        | -             | 7        | -                                 |          |               |          |
| -   | 1   | 1           | 1        | 1             | 6        | LOOSE ADDED                       |          |               |          |
| -   | -   | -           | 1        | 1             | 5        | -                                 |          |               |          |
| 1   | -   | -           | -        | -             | 4        | -                                 |          |               |          |
| 3   | -   | -           | -        | -             | 3        | Ø13mm                             |          |               |          |
| 1   | -   | -           | -        | -             | 2        | -                                 |          |               |          |
| 1   | -   | -           | -        | -             | 1        | M5X20                             |          |               |          |
| 0-6 | 0-5 | 0-4         | 0-3      | 0-2           | 0-1      | DESCRIPTION                       | Material | Surcace/Color | ITEM/NO. |
|     |     |             |          | X             |          | HF. 13. Bu                        |          |               |          |
|     |     |             | X        |               |          | SET-HF. 13/16-13. Bu              |          |               |          |
|     |     | X           |          |               |          | HF. 13/16. Bu                     |          |               |          |
|     |     |             | X        |               |          | SET-HF.E-13. Bu                   |          |               |          |
|     | X   |             |          |               |          | HF.E. 13/16. Bu                   |          |               |          |
| X   |     |             |          |               |          | HF. 13. Bu-1                      |          |               |          |

THIS DRAWING IS A CONTROLLED DOCUMENT FOR AMP INCORPORATED. IT IS SUBJECT TO CHANGE AND THE CONTROLLING ENGINEERING ORGANIZATION SHOULD BE CONTACTED FOR THE LATEST REVISION. DIESE ZEICHNUNG SOLLTE BEI VERÄNDERUNGEN UND FÜR VERBODENEN ANÄNDERUNGEN, DIE DEN TECHNISCHEN FORTSCHRITT ÜBERHAUPT, SIND VORBEHALTEN. DEN JEWELIG LETZT GÜLTIGEN ÄNDERUNGSSTAND ERFAHREN SIE AUF ANFRAGE.

DIMENSIONS: mm

TOLERANCES UNLESS OTHERWISE SPECIFIED: ALLGEMEINTOLERANZEN

0 PLC #  
1 PLC #  
2 PLC #  
3 PLC #  
ANGLES / WINKEL #

MATERIAL FINISH / OBERFLÄCHE / FARBE

DWN G.WROBLEWSKI 19.09.2006  
CHK H.BRAUN 19.09.2006  
APVD T.SCHNURPFEL 19.09.2006

Tyco / Electronics AMP GmbH  
D - 53819 Neunkirchen

NAME: CONTACT SOCKET  
SERIES HF

PRODUCT SPEC. 108-74025  
APPLICATION SPEC. 114-74032

SIZE A2  
CAGE CODE 00779  
DRAWING NO. 1110951  
RESTRICTED TO NUR FÜR

CUSTOMER DRAWING / KUNDENZEICHNUNG  
SCALE MASSSTAB 1:1  
SHEET BLATT 1 OF 1 VON 1  
REV. A3