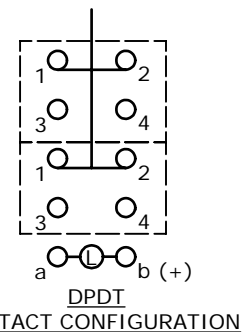
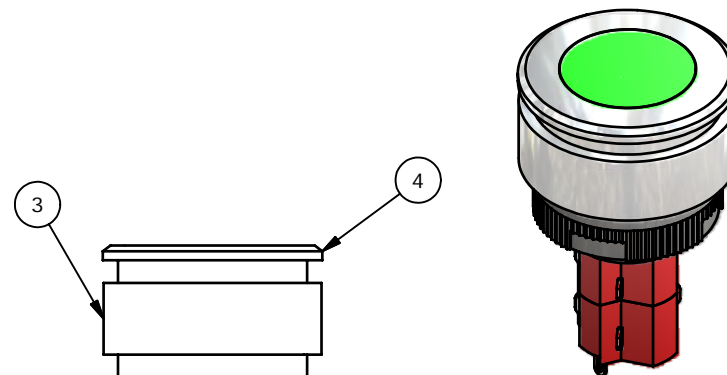
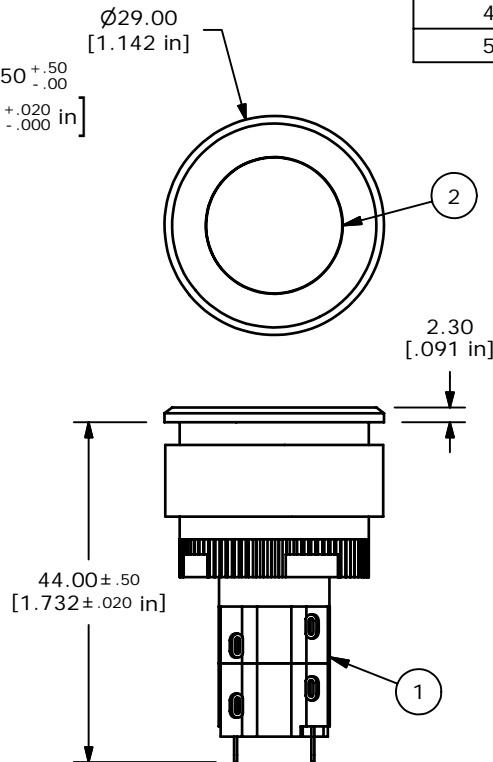
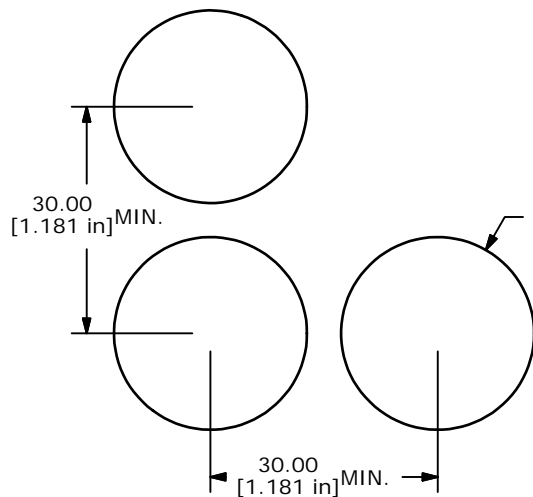
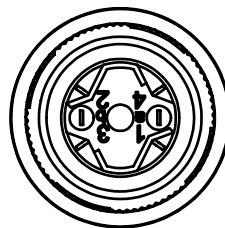


▲ Parts List

ITEM	QTY	PART NUMBER	DESCRIPTION
1	1	F060602	LASEEV110
2	1	F060202	25 MM GREEN LENS
3	1	F051705	29MM FLUSH MOUNT RETAINER
4	1	F051704	29MM FLUSH MOUNT BEZEL
5	1	F050422	GREEN 24VDC LED



- NOTES:
- ALL DIMENSIONS IN MM [INCH].
  - GENERAL TOLERANCE: 0.0±0.4  
0.00±0.25
  - TERM. NOS. FOR REF. ONLY.
  - ▲ RATING: 5A @250VAC  
8A @125VAC  
.2A @250VDC  
6A @24VDC
  - INSULATION: 1,000 MΩ MIN.
  - DIELECTRIC STRENGTH: 2000V FOR 1 MIN.
  - SEALED TO IP65.
  - TRAVEL: 3.0MM FULL TRAVEL, 2.0MM LATCH
  - ELECTRICAL LIFE: >50,000 CYCLES
  - OPERATING TEMP: -25C TO +55C
  - PANEL THICKNESS: 0.5MM TO 3.0MM
  - ▲ LED VOLTAGE: 24VDC GREEN
  - ▲ DENOTES CRITICAL PARAMETER.
  - ▲ PACKAGE: BOX/10 PER
  - 2002/95/EC (ROHS) COMPLIANT



**E-SWITCH®**

B	16977	30.00 TO 29.00	2/8/2007	TN
A	16896	RELEASED FOR PRODUCTION	1/22/2007	TN
REV	PCR NO	DESCRIPTION	DATE	BY

TITLE LASEEV32KGRNGRN				
SCALE 1:1	DATE 2/8/2007	DR TN	DWG XF0708P	REV B

THE INFORMATION CONTAINED IN THIS DOCUMENT IS PROPRIETARY TO E-SWITCH AND IS NOT TO BE COPIED OR TRANSFERRED