



DESCRIPTION: BNC MALE CRIMP FOR BELDEN 8218 75Ω

MODEL NUMBER: 28-91057

APPLICATION: FOR BELDEN 8218, 735A CABLE

CRIMP TOOL: 24-9912P

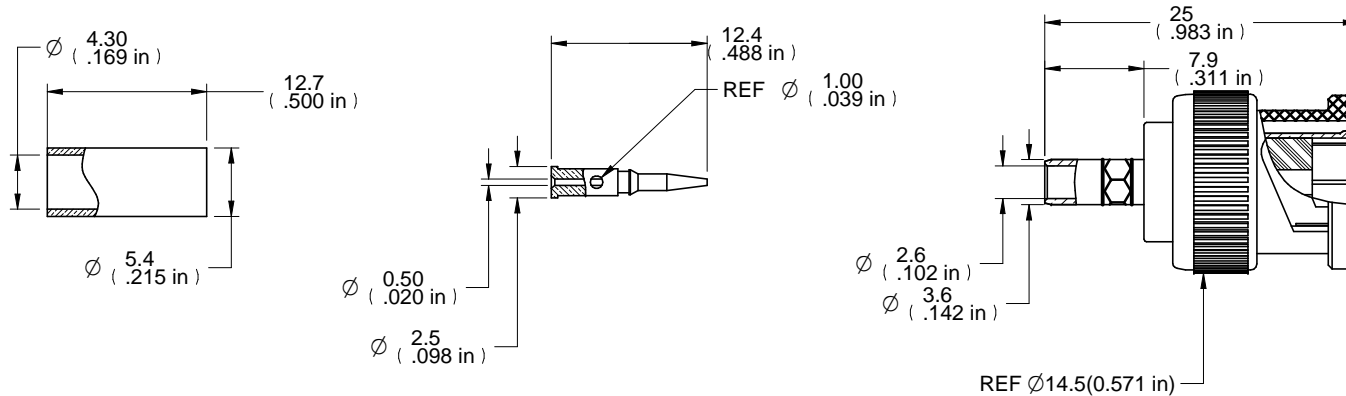
IMPEDANCE: 75 OHMS

FREQUENCY RANGE: 0-2 GHZ

MATERIAL: BODY: BRASS NICKEL PLATED  
 CONTACT: BRASS GOLD PLATED  
 INSULATOR: TEFLON  
 CRIMP SLEEVE: BRASS NICKEL PLATED  
 COUPLING NUT: BRASS NICKEL PLATED

RoHS COMPLIANCE: YES

TECHNICAL DETAIL: REFER TO CINCH DOCUMENT P/N 27-0000



## DIM OUTLINE

<p>This PROPRIETARY Document is property of Cinch Connectivity Solutions. It is confidential in nature, non-transferable, and issued with the clear understanding that it is not to be copied or reprinted without permission and is returnable upon demand.</p> <p>INTERPRET DRAWING IN ACCORDANCE WITH ASME Y14.5-2009.</p>		<b>AIM-Cambridge</b>	
	<b>RoHS2</b> <input checked="" type="checkbox"/> <b>2011/65/EU</b>	Title: BNC Plug, 3 Piece Crimp, 8218, 735A	
	UNLESS OTHERWISE SPECIFIED UNITS: METRIC <b>.X ±.51</b> <b>.XX ±.127</b> <b>ANGLES ±2°</b>	Model No. <b>28-91057</b>	Size <b>A</b>
		Date: <b>2015/3/13</b>	Sheet 1 of 1