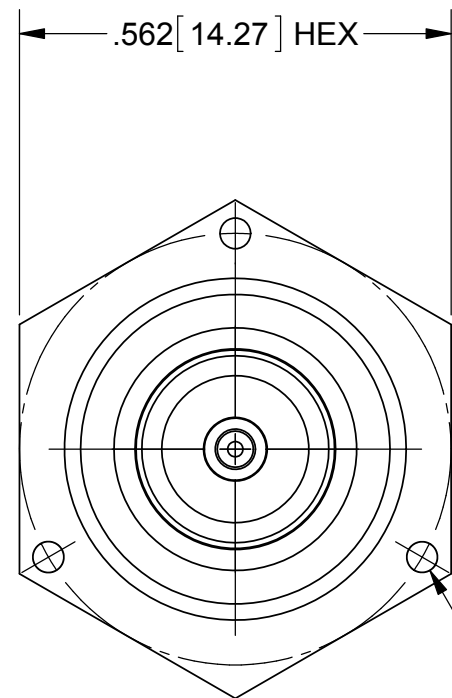
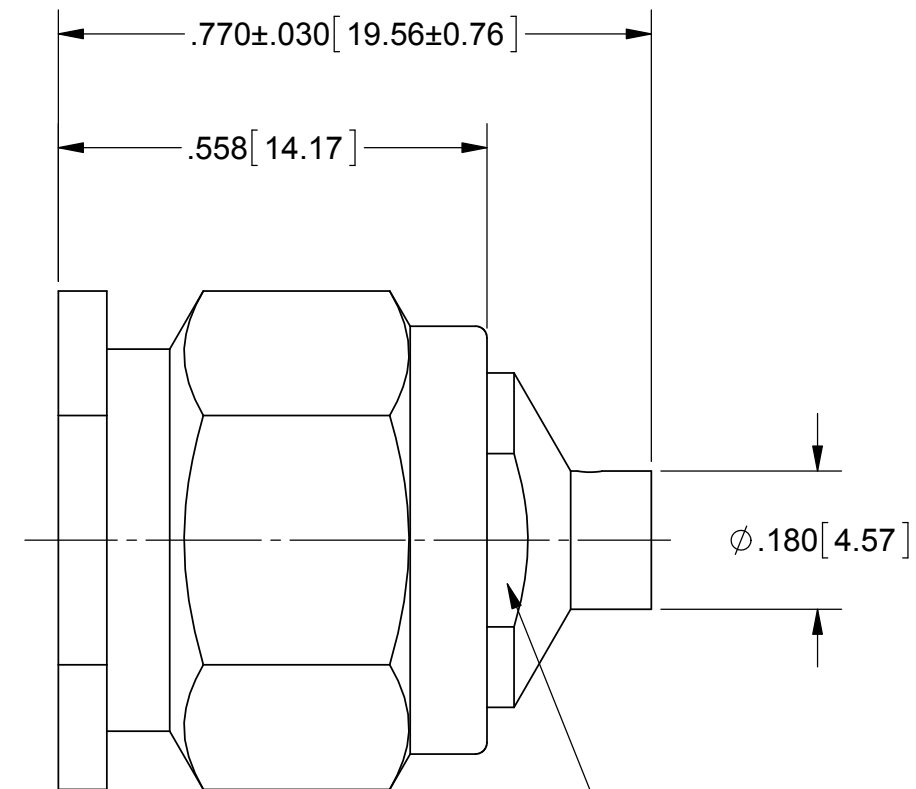


# PRODUCT DATA DRAWING

REVISION HISTORY			
REV	DESCRIPTION	DATE	APPROVED
C	DCN 41832	11/15	DAL



3X  $\phi$ .040 $\pm$ .002 [1.02 $\pm$ 0.05]  
LOCK WIRE HOLES



.375 ACROSS  
FLATS

**MATERIAL:**

BODY &  
COUPLING NUT:

STAINLESS STEEL PER AMS-5640,  
ALLOY UNS S30300, TYPE 1

CONTACT:

BERYLLIUM COPPER PER ASTM B196,  
ALLOY No. UNS C17300, TD04

LOCK RING:

PHOSPHOR BRONZE PER ASTM B159,  
ALLOY 51000, TEMP. H08

INSULATORS:

PTFE PER ASTM D1710, TYPE I, GRADE 1, CLASS B

GASKET:

SILICONE RUBBER PER A-A-59588,  
CLASS 2B, GRADE 50/60

**FINISH:**

COUPLING NUT:

PASSIVATED PER AMS-2700

BODY &  
CONTACT:

GOLD PER ASTM B488, TYPE II,  
CODE C, CLASS .76, OVER NICKEL  
PER AMS-QQ-N-290, CLASS 1, .00005" MIN.

**PERFORMANCE:**

IMPEDANCE:  
FREQ. RANGE:

50 OHMS  
DC TO 15.0 GHz

MATERIAL: SEE NOTES	DIMENSIONS ARE IN INCHES TOLERANCES: FRACTIONAL: $\pm$ 1/64 ANGULAR: X° $\pm$ 1'0" X"X' $\pm$ 15'	UNLESS OTHERWISE SPECIFIED 1) ALL DIMENSIONS ARE IN INCHES (MILLIMETERS) 2) ALL DIMENSIONS ARE AFTER PLATING. 3) BREAK CORNERS & EDGES .005 R. MAX. 4) CHAM. 1ST & LAST THREADS. 5) SURFACE ROUGHNESS 63-MIL-STD-10. 6) DIA.'S ON COMMON CENTERS TO BE CONCENTRIC WITHIN .005 T.I.R. 7) REMOVE ALL BURRS	 2400 Centrepark West Drive, Suite 100 West Palm Beach, FL 33409 TITLE: PTNC PLUG SOLDER-ON FOR .141 S.R CABLE
FINISH: SEE NOTES	DECIMAL: X $\pm$ .030 .XX $\pm$ .010 .XXX $\pm$ .005	INTERPRET DIMENSIONS AND TOLERANCES PER ASME Y14.5M - 1994	
SURFACE AREA: N/A	THIRD ANGLE PROJECTION	DRAWN: BNK 11/12/15	SIZE: B CAGE CODE: 95077 DWG. NO.: SF4501-6039
PROPRIETARY THE INFORMATION CONTAINED IN THIS DRAWING IS THE SOLE PROPERTY OF SV MICROWAVE, INC. ANY REPRODUCTION IN PART OR AS A WHOLE WITHOUT THE WRITTEN PERMISSION OF SV MICROWAVE, INC IS PROHIBITED.		CHECKED: DAL 11/12/15	SCALE: 4:1
		APPROVED: DGG 11/04/81	SHEET 1 OF 1