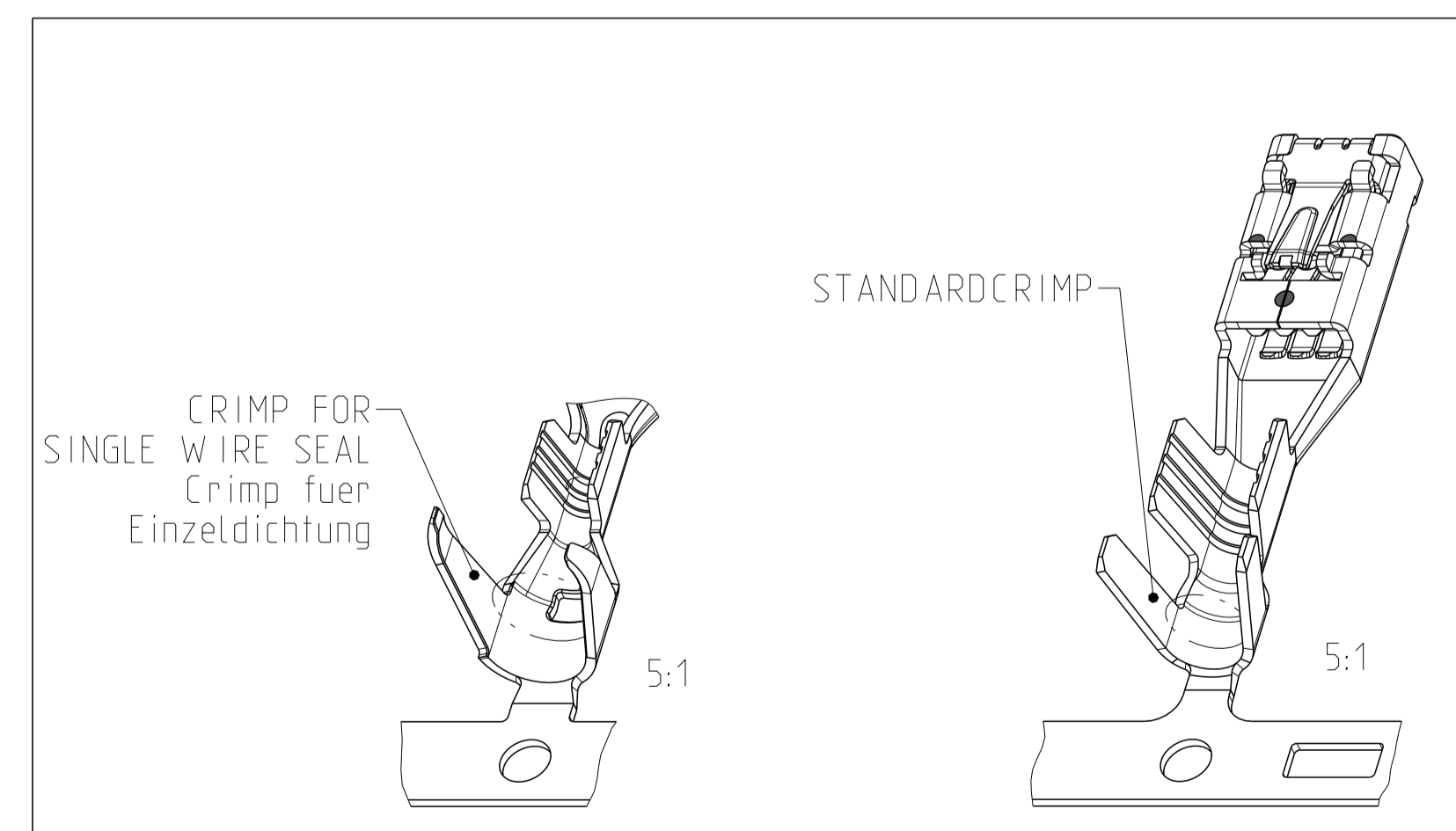
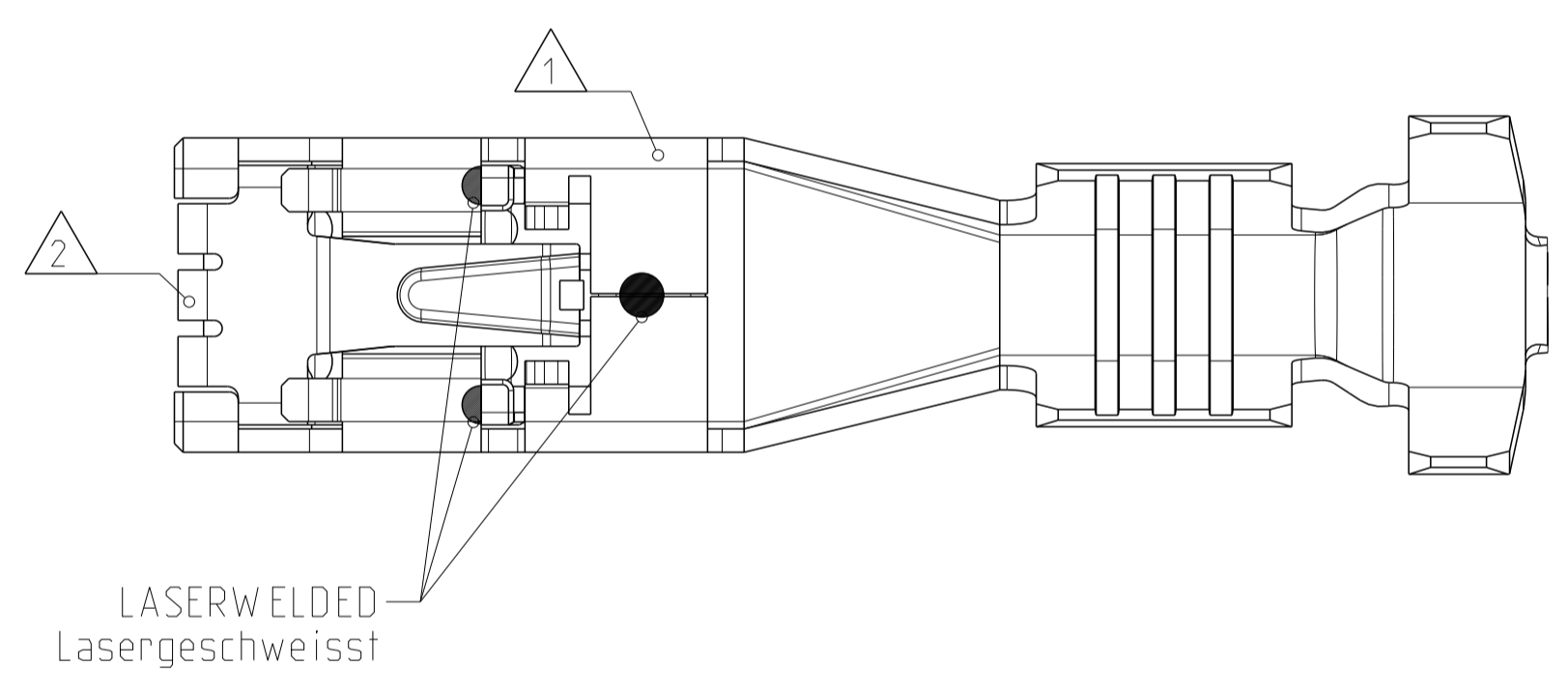
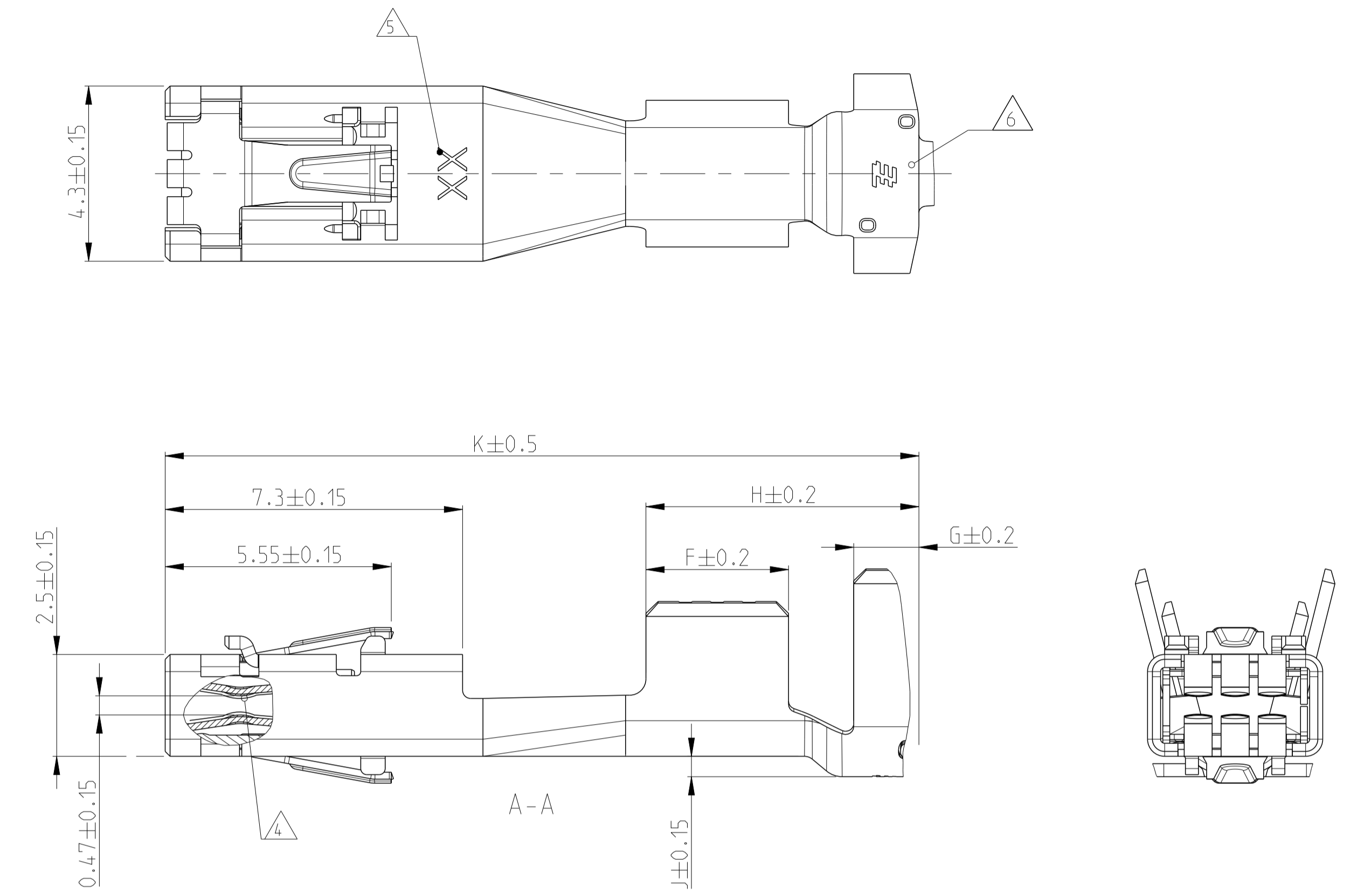
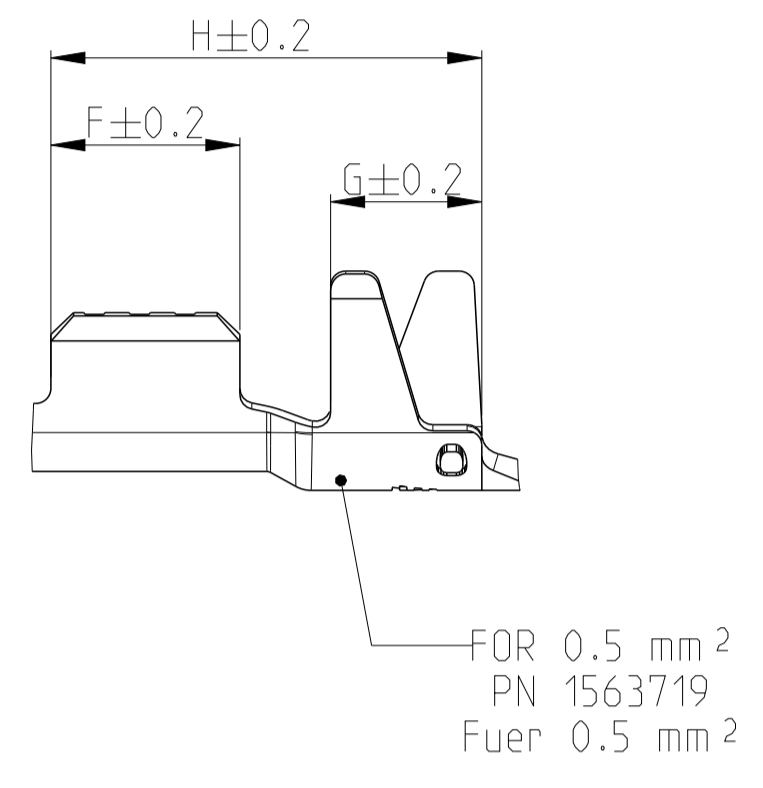
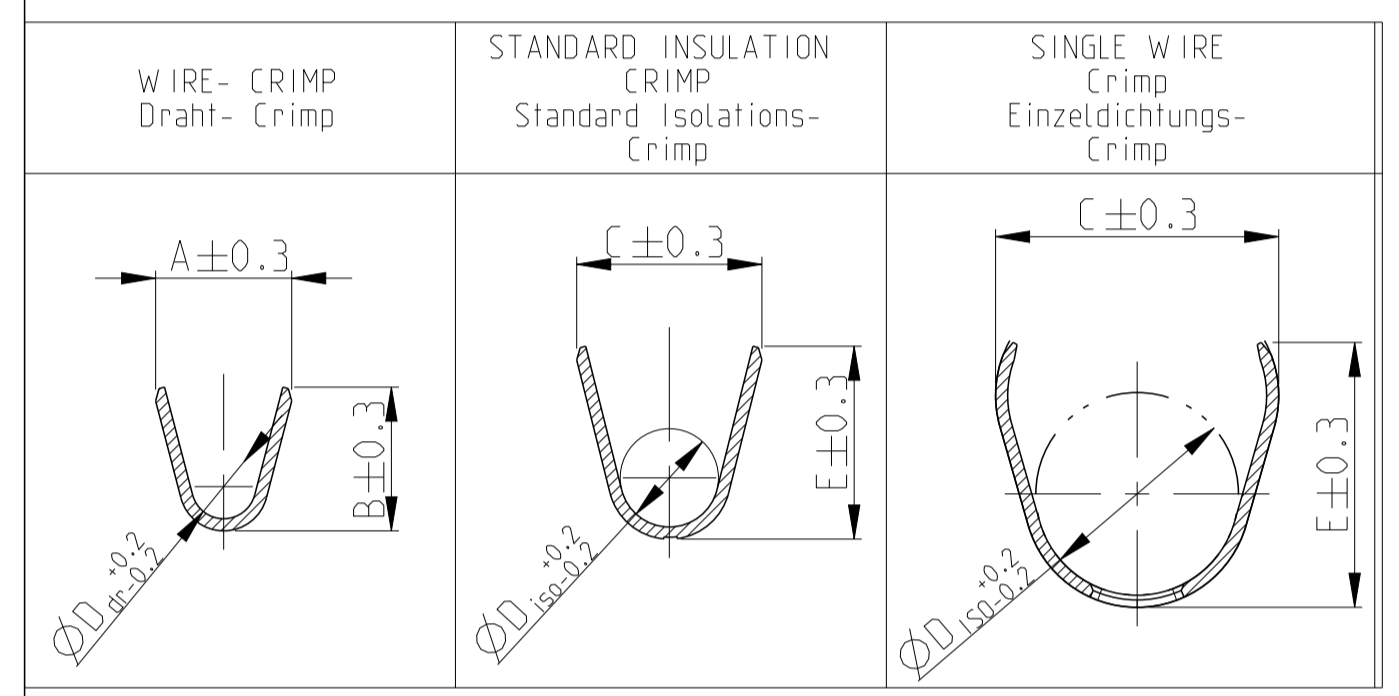


LOC	DIST	REVISIONS					
A1	-	P	LTN	DESCRIPTION	DATE	DMN	APVD
		B4		ECR-08-017798	18JUL2008	WD	WM
		B5		ECR-09-018504	08SEP2009	SG	WD
		B6		SWS in table connected to 828905-1	03MAY2011	Kirs.	Merz
		B7		DRAWING ADAPTED	11JUN2014	Bren	Merz

- NOTES**
Bemerkungen
- 1 BODY Kontaktkoerper
 - 2 SPRING Kontaktfeder
 - 3 FOR FLR-WIRE SEE DIN 72551, PART 6 Fuer FLR-Leitung nach DIN 72551, Teil 6
 - 4 SURFACE
 - a) BODY -PRE TIN 1 TO 3 µm
 - b) SPRING -PRE TIN SnAg 1 TO 3 µm -GOLD PLATED MIN. µm (only contact area) -SILVER PLATED 2 TO 4 µm (only contact area)
 - 5 STAMPED INDICATOR FOR PLATING:
 - AU GOLD PLATING
 - AG SILVER PLATING
 - TIN PLATING WITHOUT INDICATOR
 Markierung fuer galvanische Ausfuehrung:
 - AU vergolde
 - AG versilber
 - verzinkt: ohne Markierung
 - 6 TE LOGO REVISION STATUS DATE CODE
 - 7 Mating PART SEE INTERFACE DRAWING 114-18230-002 Gegenstecker nach Ausfuehrungsvorschrift



VERSION / Ausfuehrung	TE ORDER-NO. STRIP FORM	Rev.	BODY Kontaktkoerper	SPRING Kontaktfeder	BODY Kontaktkoerper	SPRING Kontaktfeder	WIRE RANGE	WIRE CRIMP Drahtcrimp					ISOLATION CRIMP Isolationscrimp					SINGLE WIRE SEAL FOR CAVITY DIAMETER Einzelichtung Kammerdurchmesser TE NO.	BLINDPLUG ORDER NO. Blindstopfen Bestell-Nr.	
								A	B	D _{Dr}	C	E	D _{ISO}	F	G	H	J			K
SINGEL WIRE SEAL / Einzelichtung	1563935-3	A	CuSn0.15	CuNi3Si1Mg	TIN PLATED verzinkt	SILVER PLATED versilbert	0.5	2.3	2.3	1.0	5.5	5.9	3.3	3.0	2.4	7.8	0.8	19.0	828904-1 (Ø5.0)	828 922-1
	-	-	C 144.15	C 70250	TIN PLATED verzinkt	GOLD PLATED vergolde														
	1563935-1	A	CuSn0.15	CuNi3Si1Mg	TIN PLATED verzinkt	SILVER PLATED versilbert	0.75-1	2.5	2.7	1.2	5.5	5.9	3.3	3.0	2.4	7.8	0.8	19.0	828904-1 (Ø5.0)	
STANDARD CRIMP	1670802-3	B	CuSn0.15	CuNi3Si1Mg	TIN PLATED verzinkt	SILVER PLATED versilbert	>1-2.5	3.6	3.8	1.7	5.7	6.1	3.5	3.5	2.4	8.3	0.8	19.0	828905-1 (Ø5.0)	828 986-1
	-	-	C 144.15	C 70250	TIN PLATED verzinkt	GOLD PLATED vergolde														
	1670804-3	B	CuSn0.15	CuNi3Si1Mg	TIN PLATED verzinkt	SILVER PLATED versilbert	>2.5-4	4.5	4.7	2.3	6.9	7.0	4.5	4.3	2.6	9.5	1.25	20.0	828985-1 (Ø6.4)	
STANDARD CRIMP	1670804-1	B	CuSn0.15	CuNi3Si1Mg	TIN PLATED verzinkt	GOLD PLATED vergolde														
	1670806-3	B	CuSn0.15	CuNi3Si1Mg	TIN PLATED verzinkt	SILVER PLATED versilbert	0.2-0.35	2.1	2.1	0.8	2.9	2.9	1.4	2.5	2.0	5.7	0.25	17.5	-	
	-	-	C 144.15	C 70250	TIN PLATED verzinkt	GOLD PLATED vergolde														
	1670806-1	B	CuSn0.15	CuNi3Si1Mg	TIN PLATED verzinkt	SILVER PLATED versilbert	0.5	2.3	2.3	1.0	2.9	2.9	1.4	3.0	2.0	6.2	0.25	17.5	-	
	-	-	C 144.15	C 70250	TIN PLATED verzinkt	GOLD PLATED vergolde														
	1719836-3	B	CuSn0.15	CuNi3Si1Mg	TIN PLATED verzinkt	SILVER PLATED versilbert	0.75-1	2.5	2.7	1.2	3.7	3.9	1.8	3.0	1.6	6.2	0.25	18	-	
	-	-	C 144.15	C 70250	TIN PLATED verzinkt	GOLD PLATED vergolde														
	1719836-1	B	CuSn0.15	CuNi3Si1Mg	TIN PLATED verzinkt	SILVER PLATED versilbert	>1-2.5	3.6	3.8	1.7	4.9	5.1	2.6	3.5	1.6	6.7	0.5	18.5	-	
	-	-	C 144.15	C 70250	TIN PLATED verzinkt	GOLD PLATED vergolde														
	1563719-3	-	CuSn0.15	CuNi3Si1Mg	TIN PLATED verzinkt	SILVER PLATED versilbert	>2.5-4	4.5	4.7	2.3	5.8	6.0	3.3	4.3	1.9	8.1	0.8	19	-	
	-	-	C 144.15	C 70250	TIN PLATED verzinkt	GOLD PLATED vergolde														
	1563719-1	-	CuSn0.15	CuNi3Si1Mg	TIN PLATED verzinkt	SILVER PLATED versilbert														
-	-	C 144.15	C 70250	TIN PLATED verzinkt	GOLD PLATED vergolde															

VERSION / Ausfuehrung	TE ORDER-NO. STRIP FORM	Rev.	BODY Kontaktkoerper	SPRING Kontaktfeder	BODY Kontaktkoerper	SPRING Kontaktfeder	WIRE RANGE	WIRE CRIMP Drahtcrimp					ISOLATION CRIMP Isolationscrimp					SINGLE WIRE SEAL FOR CAVITY DIAMETER Einzelichtung Kammerdurchmesser TE NO.	BLINDPLUG ORDER NO. Blindstopfen Bestell-Nr.					
	Bestell-Nr. Bandware							A	B	D _{Dr}	C	E	D _{ISO}	F	G	H	J			K				
								WIRE CRIMP Drahtcrimp					ISOLATION CRIMP Isolationscrimp											
			MATERIAL Werkstoff					STRIP FORM/Bandware																
								Draht-groessen-bereich																
								SURFACE Oberflaeche																