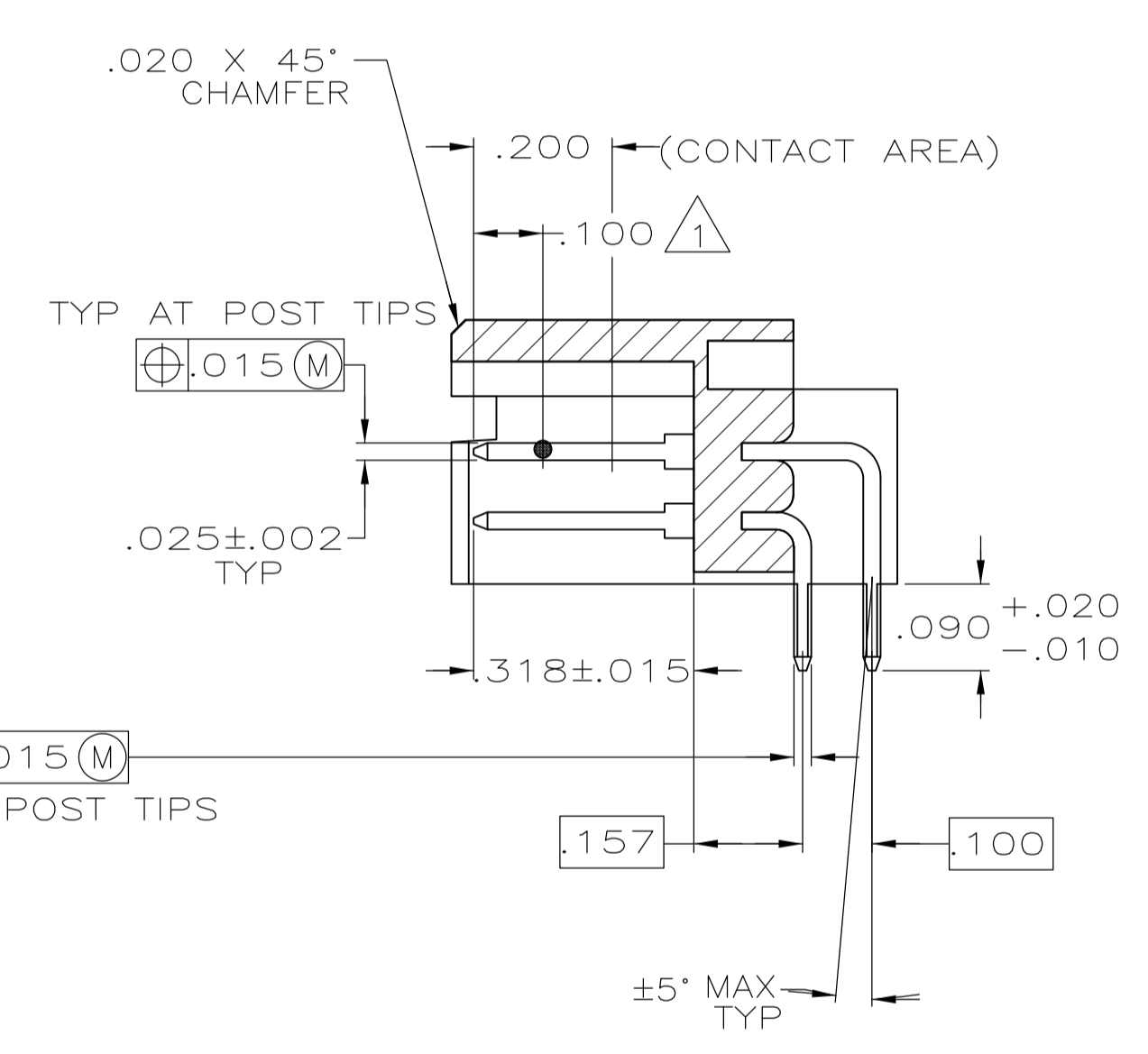
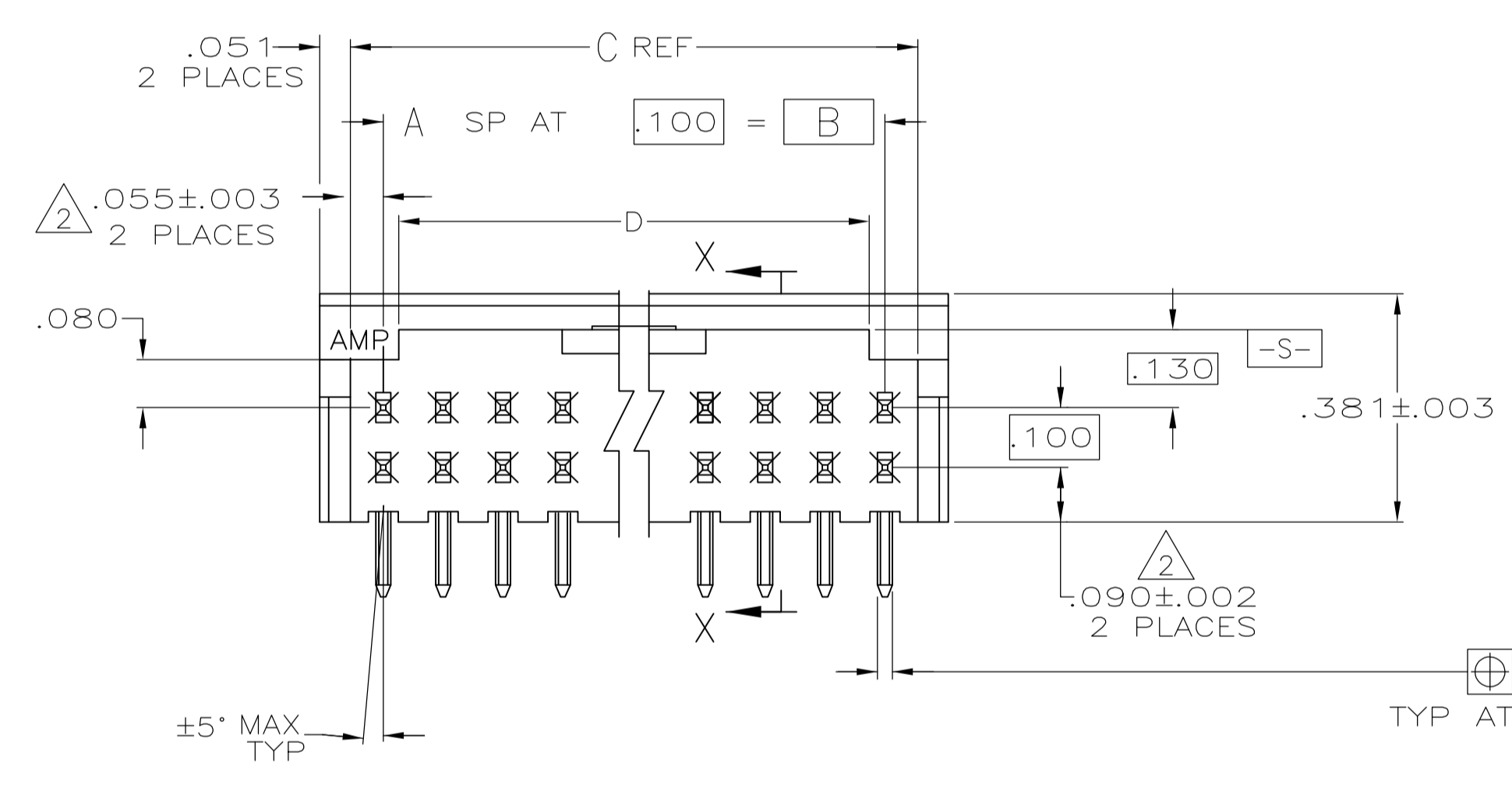


RECOMMENDED HOLE LAYOUT



SECTION X-X

- ① POINT OF MEASUREMENT FOR PLATING THICKNESS.
- ② THE NOTED DIMENSION APPLIES AT THE INTERSECTION OF THE POST AND HOUSING
- ③ .000100-.000200 MATTE TIN-LEAD OVER .000050 NICKEL ENTIRE POST
- ④ .000100-.000200 MATTE TIN OVER .000050 NICKEL ENTIRE POST
- ⑤ HOUSING: FLAME RETARDANT THERMOPLASTIC COLOR: BLACK POSTS: PHOS. BRONZE
- ⑥ PRELIMINARY PART - NOT RELEASED FOR PRODUCTION.

④	.648	.810	.700	7	16	5-146247-1
④	1.148	1.310	1.200	12	26	146247-2
③	.648	.810	.700	7	16	146247-1
PLATING	D	C	B	A	NO OF POSN	PART NUMBER

THIS DRAWING IS A CONTROLLED DOCUMENT.

DIMENSIONS: INCHES	TOLERANCES UNLESS OTHERWISE SPECIFIED:	0 PLC ± -	1 PLC ± -	2 PLC ± .003	3 PLC ± .005	4 PLC ± -	ANGLES ± -
MATERIAL	SEE TABLE	FINISH	SEE TABLE	WEIGHT	—	SIZE	A1

APPROVED: R.K. SEIFRIED/UTA 01/03/95  
 CHK: J. KNITTLE 2/28/95  
 NAME: Tyco Electronics Corporation, Harrisburg, PA 17105-3608  
 PRODUCT SPEC: Tyco Electronics  
 APPLICATION SPEC: Tyco Electronics  
 DRAWING NO: 146247  
 SCALE: 4:1 SHEET 1 OF 1 REV E