

5

4

3

2

1

受控 CONTROLLED DOCUMENT

编号 P/N	40-9844T-CUST (SEE TABLE I)	版本 Rev	02	日期 Rel'd Date	Aug9,11
-----------	--------------------------------	-----------	----	------------------	---------

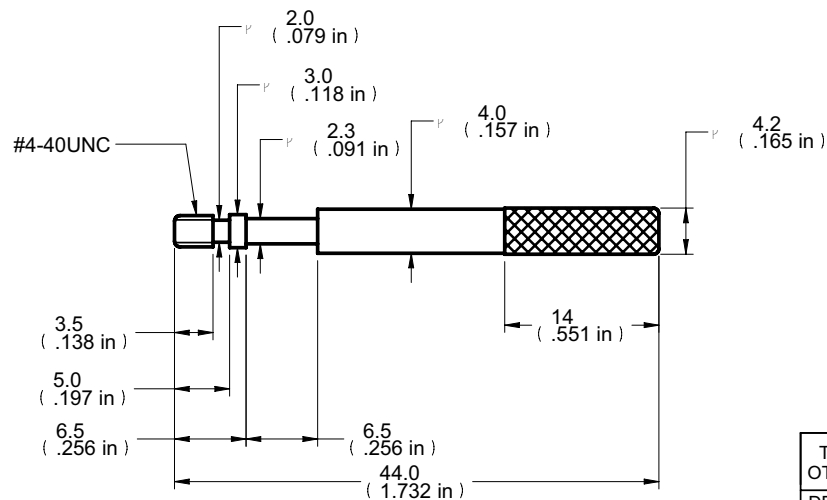


Description: T'Screw Set,1.25"
 Part No: 40-9844T & See Table I
 Application: D-Sub Hardware
 Crimp Tool: N/A
 Impedance: N/A
 Frequency Range: N/A
 Material: Thumbscrew Steel Nickel plated
 RoHS Compliance: Yes
 Technical Detail: N/A

DRAWING NO.
40-9488T-CUST (SEE TABLE I)

REVISIONS

01	OFFICIAL RELEASE					
	11-12-09	Y	U	T	H	
02	CHANGE MATERIAL FROM BRASS TO STEEL					
	07-01-11	L	H	M		ECO-11-0127



DIM OUTLINE

TABLE I

PART NUMBER	DESCRIPTION
40-9844T	T'SCREW SET ,1.25" (1SET)
40-9844TP	T'SCREW SET ,1.25" (1SET),BLISTER
40-9844T-C	T'SCREW SET ,1.25" (50SET)

TOLERANCE UNLESS OTHERWISE SPECIFIED		DRAWN BY Wencan Li	DATE 07-01-11
DECIMALS	mm	CHECKED BY Hu Yuge	DATE 07-01-11
X	± 0.5	APPROVED BY Ma Lin	DATE 07-01-11
X.X	± 0.3		
X.XX	± 0.1		
ANGLES	± 0.5-	U/M	mm

 cinch CONNECTIVITY SOLUTIONS a bel group		TITLE	
		T'SCREW SET,1.25"(1SET) (SEE TABLE I)	
SHEET 1 OF 1	DRAWING NO. 40-9488T-CUST (SEE TABLE I)	SIZE A	

THIS DRAWING WAS PRODUCED BY COMPUTER,
DO NOT SCALE DRAWING OR UPDATE MANUALLY.

CUSTOMER COPY

5

4

3

2

1