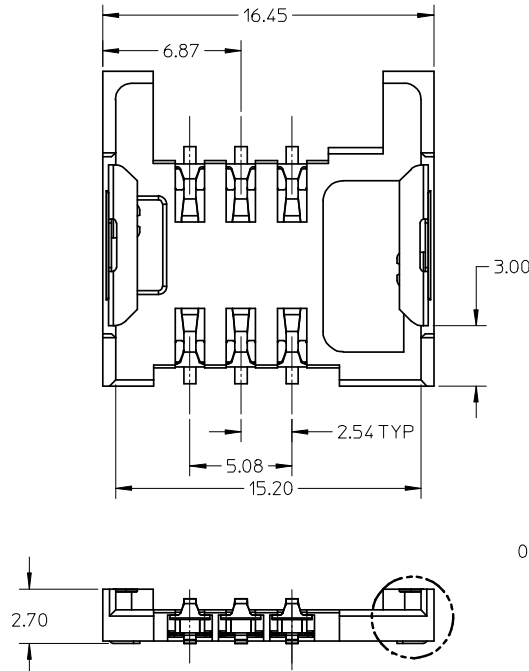
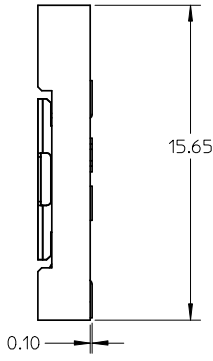


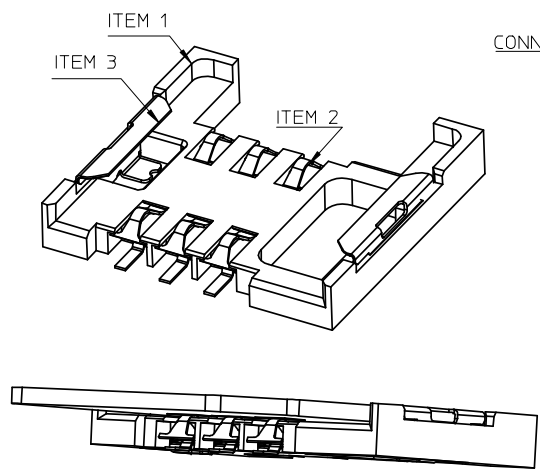
10 9 8 7 6 5 4 3 2 1



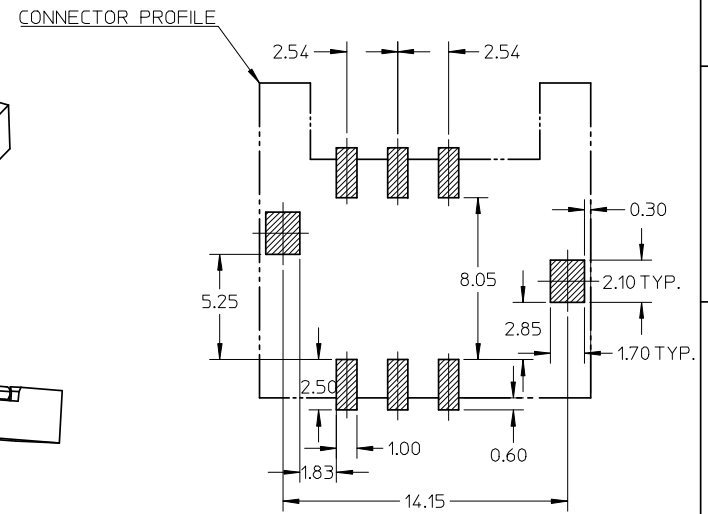
DETAIL 1



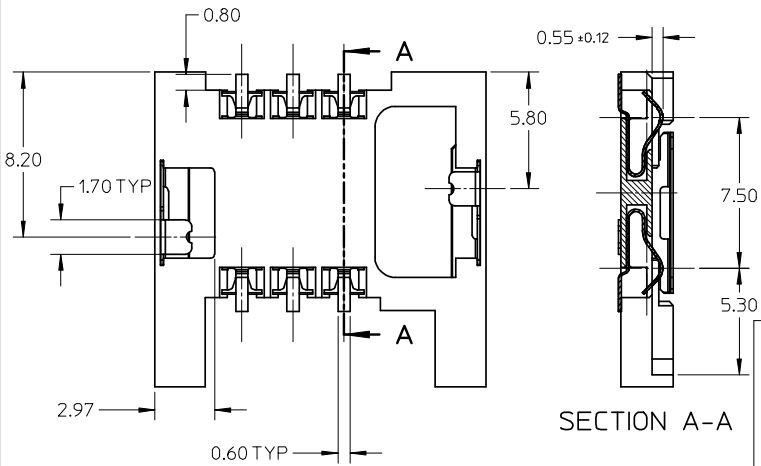
DETAIL 1



SIM WITH CARD



RECOMMENDED PCB LAYOUT



SECTION A-A

ITEM	NAME	MATERIAL NO.
1	HOUSING	472730002
2	TERMINAL	472730003
3	SHELL	472730004

NOTES:

- MATERIAL:
HOUSING: LCP, GLASS-FILLED, UL 94V-0, COLOR .BLACK.
TERMINAL: 0.12MM PHOSPHOR BRONZE.
SHELL: STAINLESS STEEL.
- FINISH:
TERMINAL CONTACT AREA: 0.75 MICRON GOLD MIN OVERALL 1.25 MICRON NICKEL MIN.
TERMINAL SOLDER AREA: GOLD FLASH OVERALL 1.25 MICRON NICKEL MIN.
SHELL: GOLD FLASH OVER SOLDERING PAD, 2.0 MICRON NICKEL MIN. OVERALL
- COPLANARITY: 0.1MM MAX AMONG SOLDER TAILS AND FITTING NAILS.
- PRODUCT SPECIFICATION: PS-47273-001.
- PRODUCT COMPLIANT TO ROHS DIRECTIVE 2002/95/EC AND ELV DIRECTIVE 2000/53/EC

REVISED EC NO: SH2008-0256 DRWN: YPWU 2007/11/05 CHKD: APPR:	QUALITY SYMBOLS	GENERAL TOLERANCES (UNLESS SPECIFIED)	DIMENSION STYLE	SCALE	DESIGN UNITS	THIRD ANGLE PROJECTION
	▼=0 ◻=0	mm INCH 4 PLACES ± --- ± --- 3 PLACES ± --- ± --- 2 PLACES ± 0.2 ± --- 1 PLACE ± --- ± --- ANGULAR ± 3 °	MM ONLY	4:1	METRIC	
	DESCRIPTION	DRAWN BY	DATE	TITLE		
		OYANG	2005-08-31	SIM CARD CONNECTOR SALES DRAWING		
	CHECKED BY	DATE	MOLEX INCORPORATED			
	Y. J. WU	2005-08-31	DOCUMENT NO.			
	APPROVED BY	DATE	SHEET NO.			
	VINCENT	2005-08-31	1 OF 1			
	MATERIAL NO.	472730001	SD-47273-001			
	REV	DRAFT WHERE APPLICABLE MUST REMAIN WITHIN DIMENSIONS	THIS DRAWING CONTAINS INFORMATION THAT IS PROPRIETARY TO MOLEX INCORPORATED AND SHOULD NOT BE USED WITHOUT WRITTEN PERMISSION			

9 8 7 6 5 4 3 2 1