

1

2

3

4

5

6

7

A

A

B

B

C

C

D

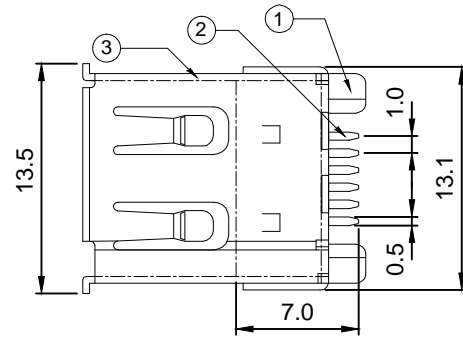
D

E

E

F

F

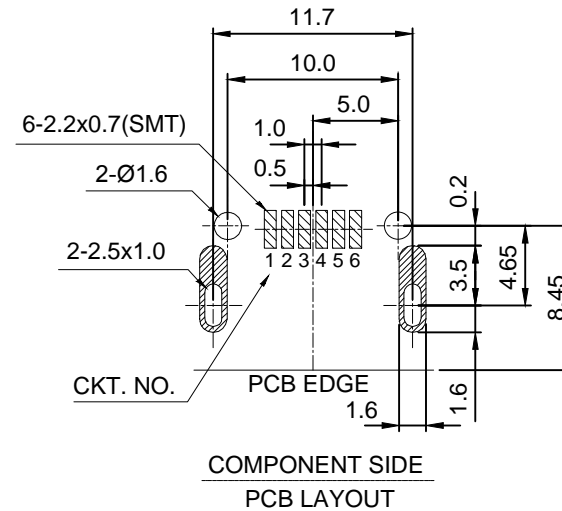
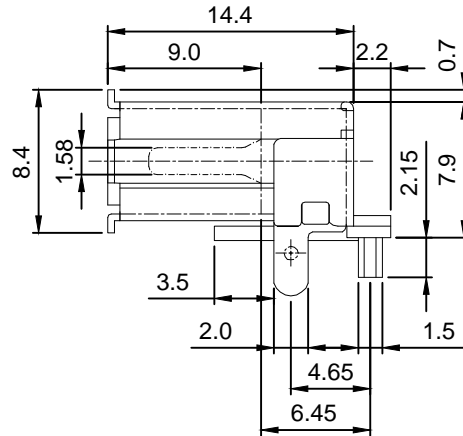
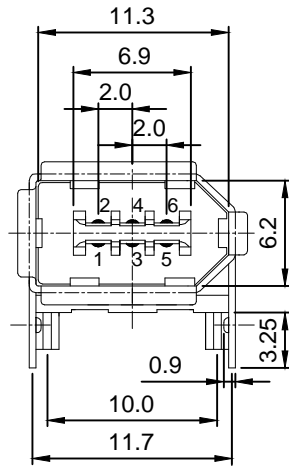


Material:

- Item ① Housing: Nylon PA9T G.F. Black
- Item ② Pin Terminal: Brass t=0.2mm Contact  
Contact Area: Gold 30-50u" over Ni 1.5-2.5u"  
Solder Area: Tin plated
- Item ③ Shell: Brass t=0.4mm Nickel Plated

Electrical:

- Current rating: 1A max.
- Withstanding Voltage: 500V/1minute
- Contact Resistance: 30m ohms max.
- Insulation Resistance: 1000M ohms min. at DC 500V



RoHS compliant

Scale	Free					Date	Name	Customer-No.
TOLERANCE						Drawn	20.06.2018	Xavier
X.	±0.50					Approved	20.06.2018	Winnie
X.X	±0.30							
X.XX	±0.10							
Angle	±1°							
		①	Drawn	20.06.2018	Xavier			
		Id.	Modification	Date	Name			

Customer-No.		
ASSMANN WSW-No.		A-IES-SMT
Drawing-No.		ASS 8004 CO
Replace	rev00	Sheet 1/1

1

2

3

4

5

6

7

H

H