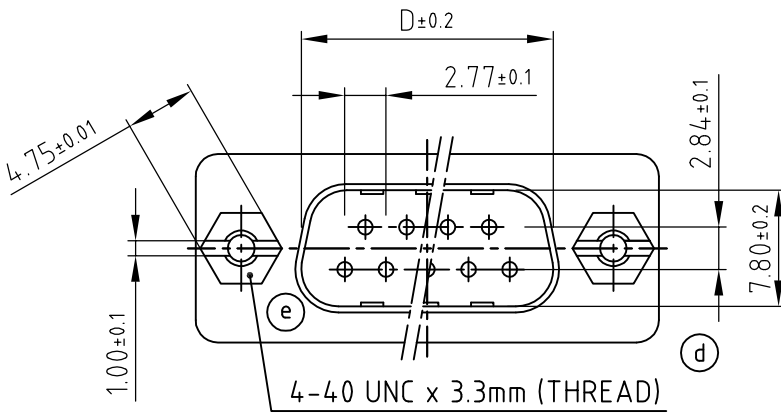
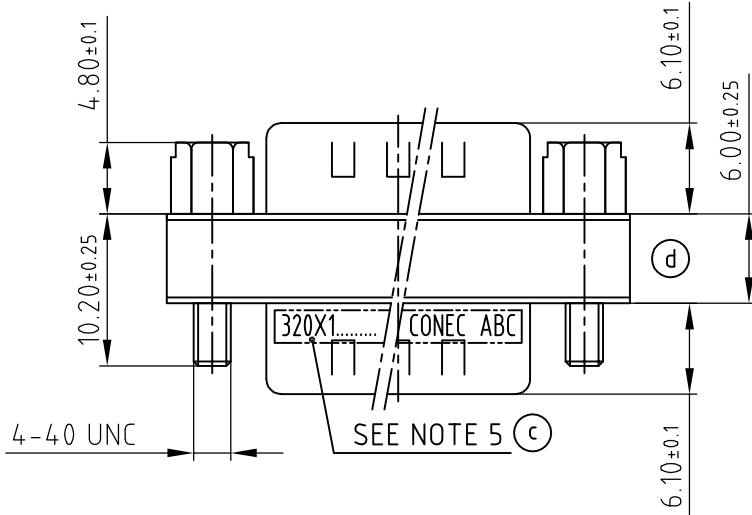


| POS. | A ± 0.25 | B ± 0.15 | C ± 0.2 | D ± 0.2 | Part NO. |
|------|----------|----------|---------|---------|------------|
| 9 | 31.11 | 25.00 | 16.92 | 16.92 | 320X12509X |
| 15 | 39.51 | 33.28 | 25.25 | 25.25 | 320X12529X |
| 25 | 53.35 | 47.04 | 39.06 | 39.06 | 320X10549X |
| 37 | 69.65 | 63.50 | 55.42 | 55.42 | 320X12549X |



(d) (c)
SPECIFICATION:

1. SHELL: TIN PLATED SHELL
2. INSULATOR: PBT GLASS FIBRE REINFORCED UL 94 V0 (b) (d)
3. CONTACTS: BRASS
4. CONTACT PLATING: GOLD PLATED over NICKEL
5. CONNECTOR IS PART MARKED: PART-NO. CONEC ABC

Directive 2002/95/EC RoHS compliant

THIS DRAWING MAY NOT BE COPIED OR REPRODUCED IN ANY WAY, AND MAY NOT BE PASSED ON TO A THIRD PARTY WITHOUT WRITTEN PERMISSION. OWNERSHIP AND COPYRIGHT OF CONEC GmbH DO NOT ALTER CAD DRAWING BY HAND

| rev. | description | date | name | General tolerance | dim. in mm |
|-------|-------------|------------|-------|---------------------------------------|------------|
| 1 x e | Ä4765 | 28.05.2013 | K.H. | .X ± 0.2 .XX ± 0.15 .XXX ± 0.05 | |
| 6 x d | Ä4520 | 30.10.2012 | Lehm. | | |
| 2 x c | Ä4459 | 13.09.2012 | Lehm. | | |
| 1 x b | Ä2202 | 07.04.2005 | HS | | |
| a | Original | | | | |

| | | |
|-----------|--|-----------------------|
| scale: | 2:1 | |
| material: | SEE SPECIFICATION | |
| title: | GENDER CHANGER 2 x PLUG CONNECTOR 9-37pos. | |
| dwg no: | 16K1A557 | DIN-A 3 sh: 1/1 |
| part no: | SEE TABLE | |