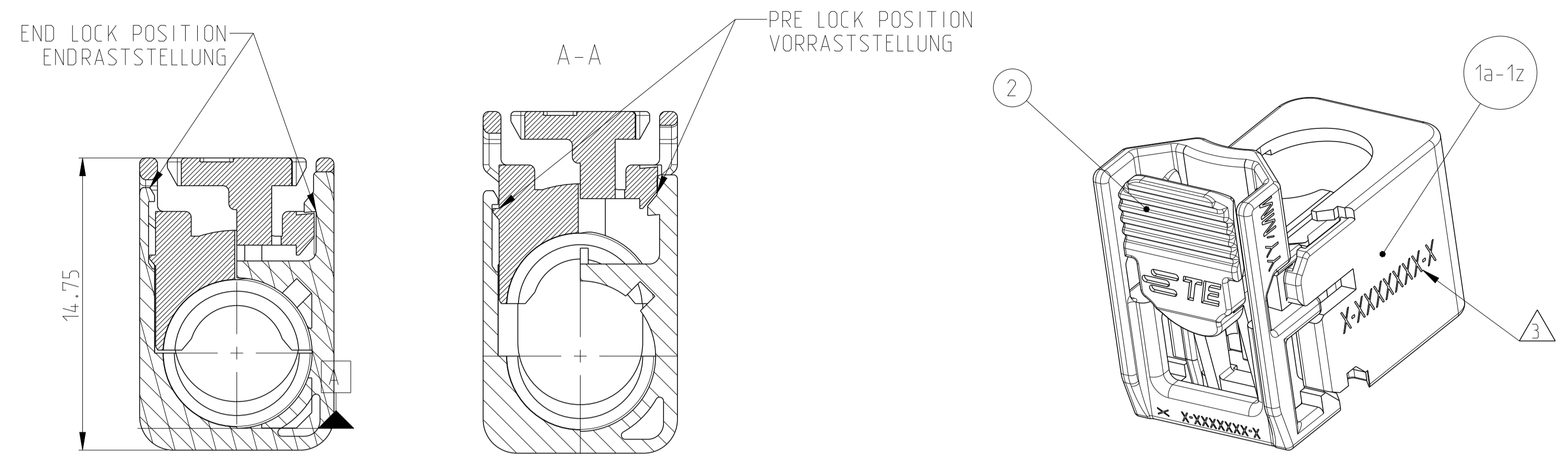


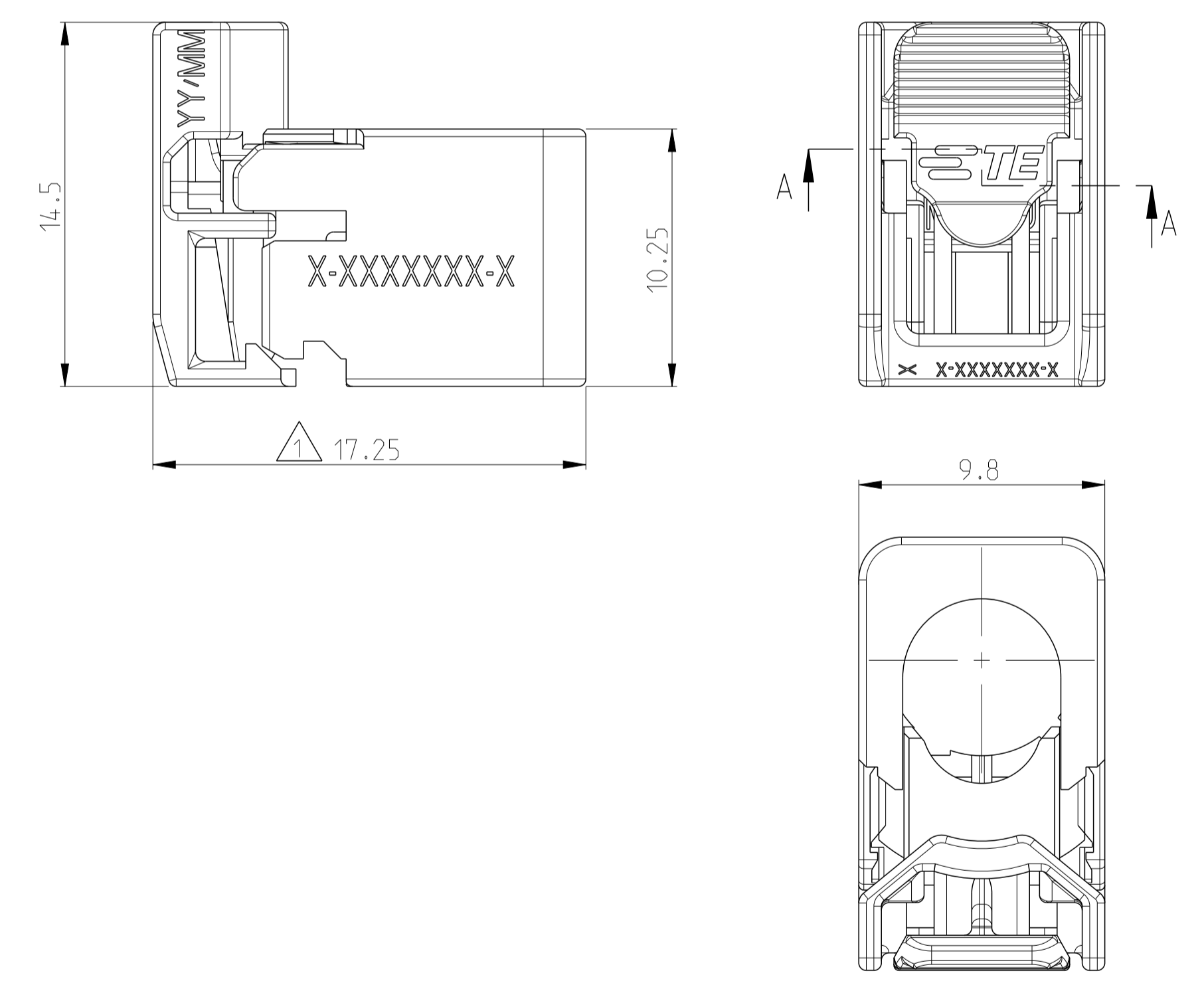
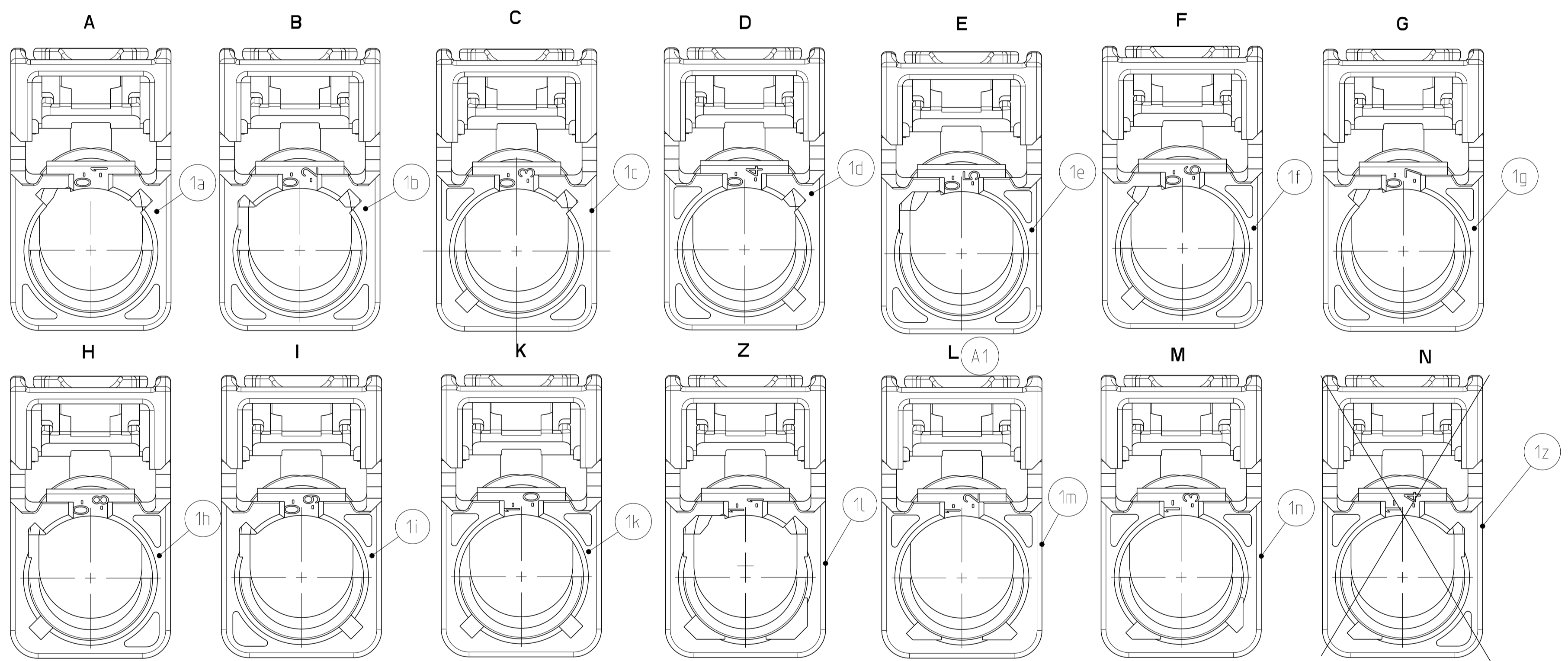
LOC	DIST	REVISIONS					
		P	LTN	DESCRIPTION	DATE	OWN	APVD
A1	-	A		NEW DRAWING	19OCT2010	YA	HR
		A1		E-15-013764	21SEP2015	SN	UG

HOUSING VERSION FOR FREE TURNABLE CONTACT



- NOTES
BEMERKUNGEN
- 1 DELIVERY CONDITION:
CONTACT LOCKING HOUSING IN PRE-SET POSITION
AUSLIEFERUNG ZUSTAND:
KONTAKTVERRASTGEHÄUSE IN VORRASTSTELLUNG
 - 2 BULK PACKAGED
VERPACKT ALS SCHUETTUTGUT
 - 3 TE PN
TE TEILE NR.
 - 4 APPLICABLE CONTACT KIDS: 0-1719252-1 / 0-1719655-1/0-1823955-1
PASSENDE CONTACT KIDS: 0-1719252-1 / 0-1719655-1/0-1823955-1

CODINGS KODIERUNGEN



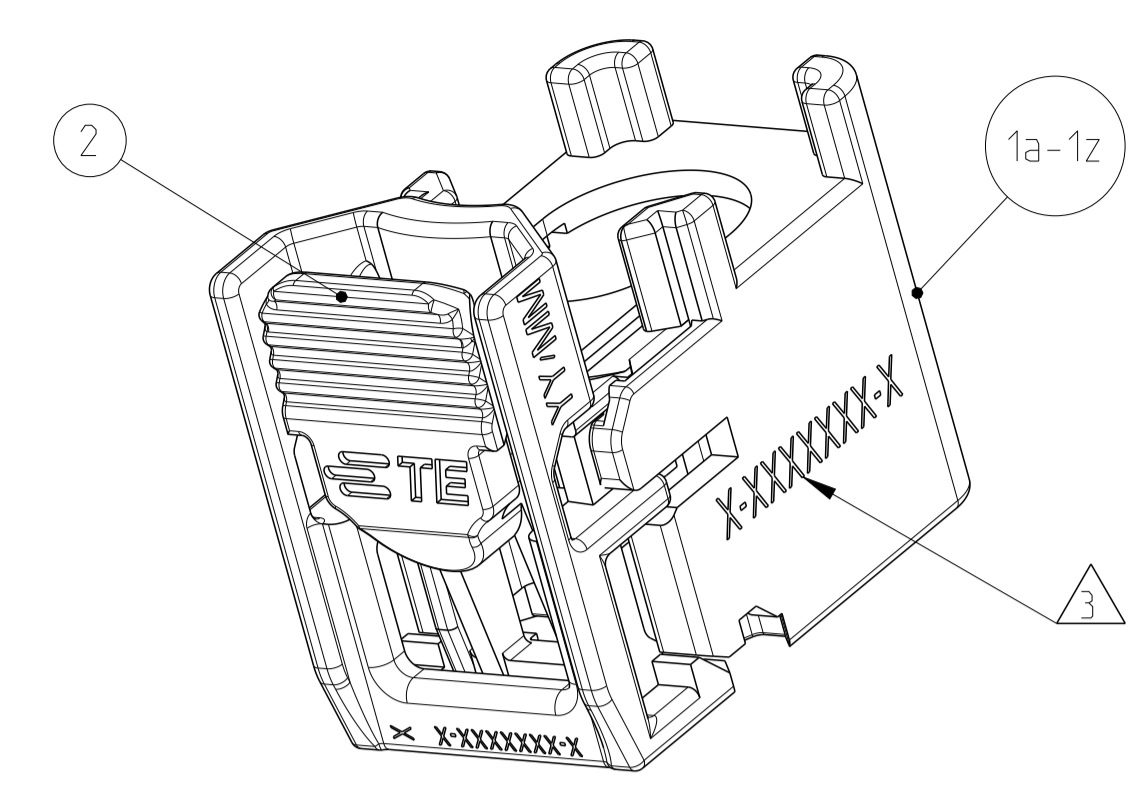
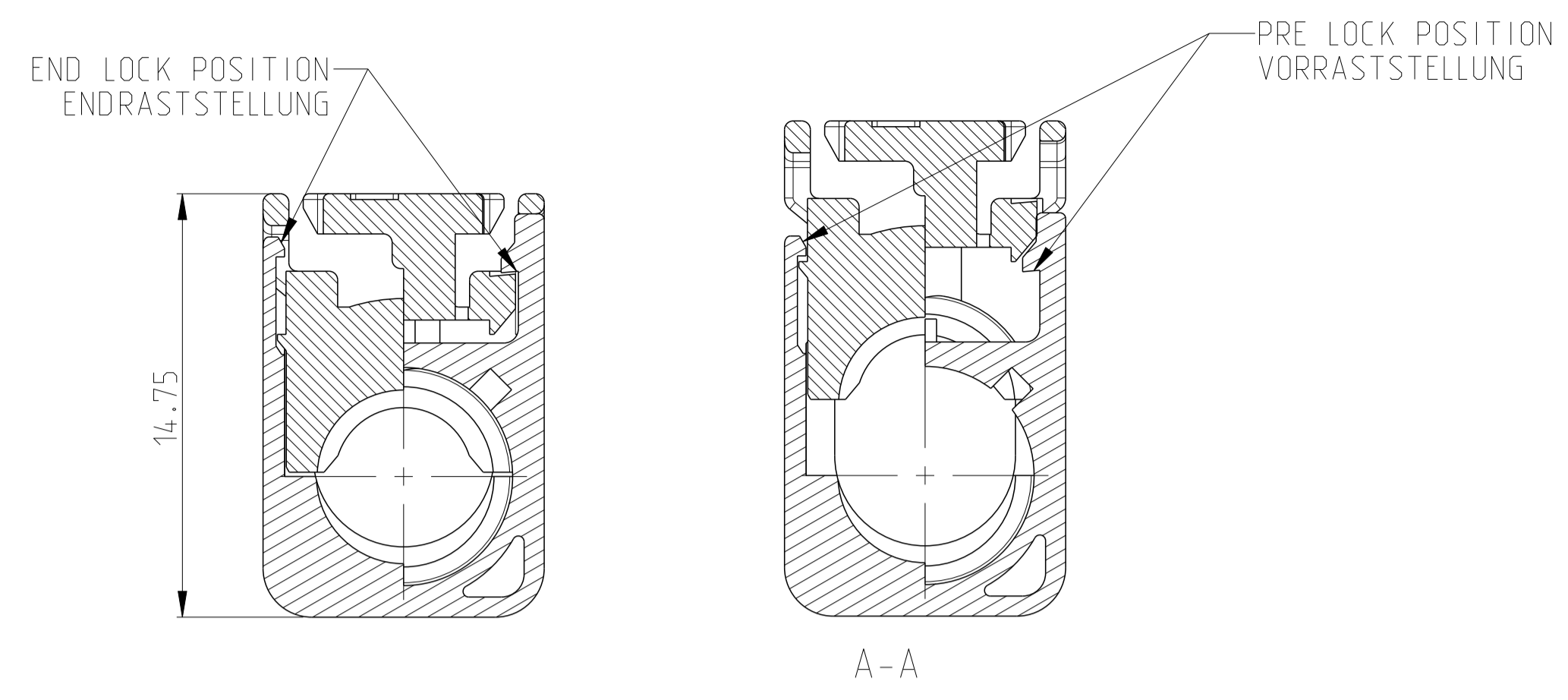
		Kontaktverrastgehäuse RETAINER 1Way HF plug hsg.		natural	2				
1-2141494-4	1	A	1.05	N	Ipol., Steckergehäuse 1WAY PLUG HOUSING	pastel green/6049	1z	1	1-1452581-4
1-2141494-3	1	A	1.05	M	Ipol., Steckergehäuse 1WAY PLUG HOUSING	pastel orange/2003	1n	1	1-1452581-3
1-2141494-2	1	A	1.05	L	Ipol., Steckergehäuse 1WAY PLUG HOUSING	carmine red/3002	1m	1	1-1452581-2
1-2141494-1	1	A	1.05	Z	Ipol., Steckergehäuse 1WAY PLUG HOUSING	water blue/5021	1l	1	1-1452581-1
1-2141494-0	1	A	1.05	K	Ipol., Steckergehäuse 1WAY PLUG HOUSING	curry/1027	1k	1	1-1452581-0
0-2141494-9	1	A	1.05	I	Ipol., Steckergehäuse 1WAY PLUG HOUSING	beige/1001	1i	1	0-1452581-9
0-2141494-8	1	A	1.05	H	Ipol., Steckergehäuse 1WAY PLUG HOUSING	violett/4003	1h	1	0-1452581-8
0-2141494-7	1	A	1.05	G	Ipol., Steckergehäuse 1WAY PLUG HOUSING	blue grey/7031	1g	1	0-1452581-7
0-2141494-6	1	A	1.05	F	Ipol., Steckergehäuse 1WAY PLUG HOUSING	brown/8011	1f	1	0-1452581-6
0-2141494-5	1	A	1.05	E	Ipol., Steckergehäuse 1WAY PLUG HOUSING	green/6002	1e	1	0-1452581-5
0-2141494-4	1	A	1.05	D	Ipol., Steckergehäuse 1WAY PLUG HOUSING	claret violett/4004	1d	1	0-1452581-4
0-2141494-3	1	A	1.05	C	Ipol., Steckergehäuse 1WAY PLUG HOUSING	blue/5005	1c	1	0-1452581-3
0-2141494-2	1	A	1.05	B	Ipol., Steckergehäuse 1WAY PLUG HOUSING	cream/9001	1b	1	0-1452581-2
0-2141494-1	1	A	1.05	A	Ipol., Steckergehäuse 1WAY PLUG HOUSING	black/9005	1a	1	0-1452581-1

TE PN	QTY PER ASSY	REV	ASSY WEIGHT (g)	KEY CODING	DESCRIPTION COMPONENT	COLOUR SIMILAR TO	ITEM NO	QTY PER ASSY	SUITABLE FOR
5									

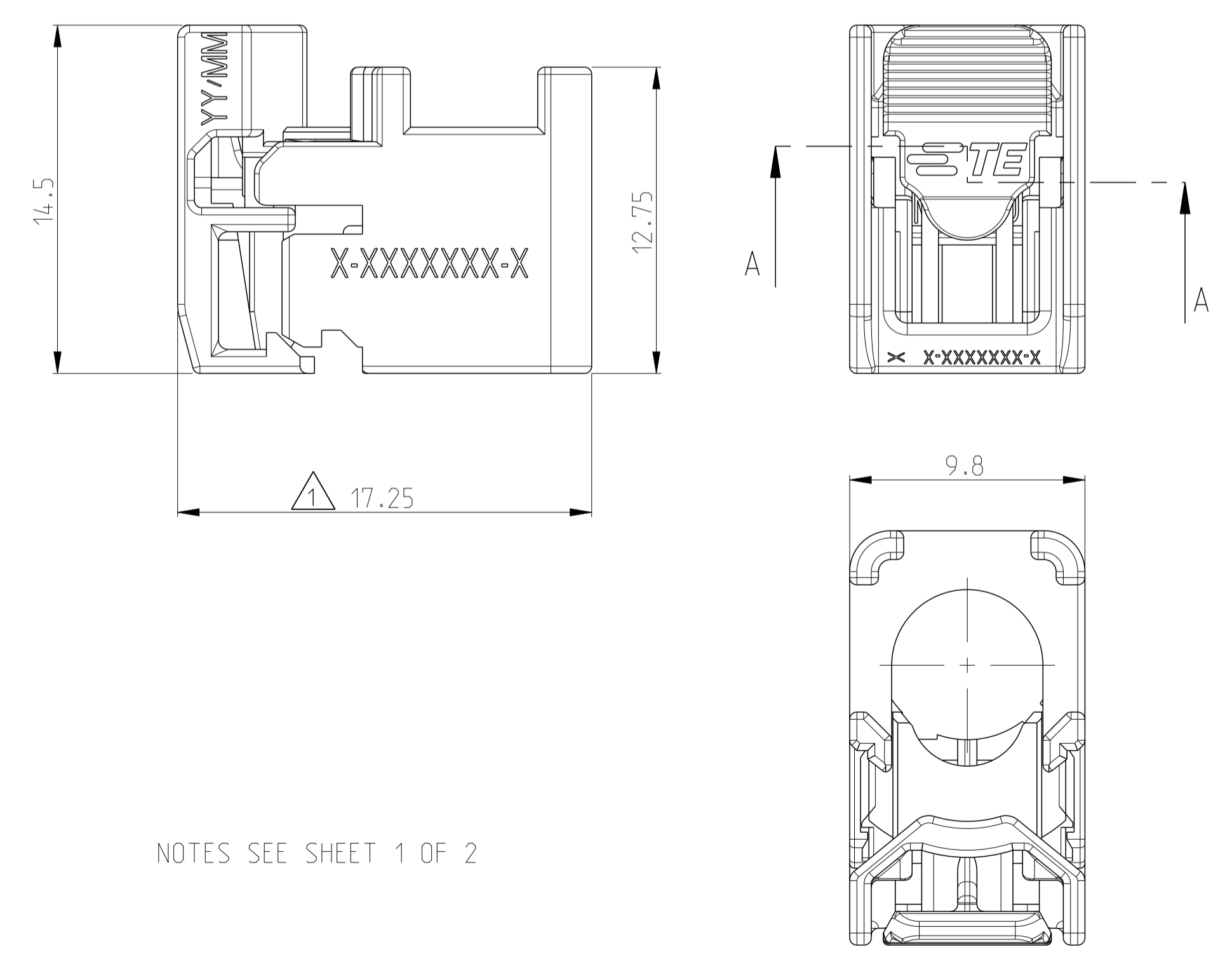
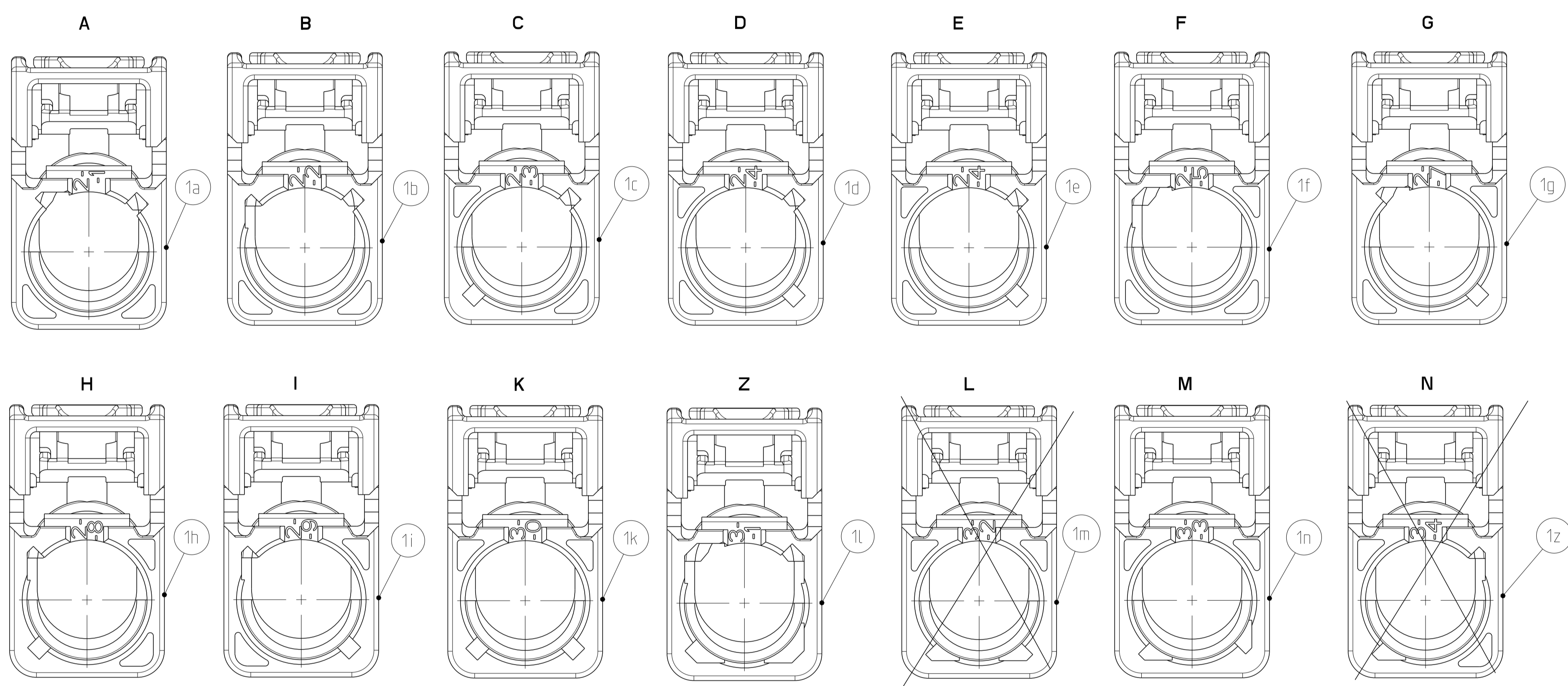
THIS DRAWING IS A CONTROLLED DOCUMENT.		OWN H. Ripper	14OCT2010	TE Connectivity PLUG HSG. 1WAY, 90 DEG. COAX FAKRA2 BUCHSENGEHÄUSE, 1POL., 90 GRAD COAX FAKRA2
DIMENSIONS: mm		CHK H. Ripper	19OCT2010	
TOLERANCES UNLESS OTHERWISE SPECIFIED:		APVD		NAME
0 PLC ±0.5		PRODUCT SPEC		SIZE
1 PLC ±0.5		APPLICATION SPEC		CAGE CODE
2 PLC ±0.5		114-18803		DRAWING NO
3 PLC ±0.5		WEIGHT		RESTRICTED TO
4 PLC ±0.5		CUSTOMER DRAWING		SCALE
ANGLES ±0.1°		A1		SHEET
FINISH		00779		1 OF 2
MATERIAL S.TAB		C=2141494		REV
		A1		A1

LOC	DIST	REVISIONS					
		P	LTN	DESCRIPTION	DATE	OWN	APVD
A1	-	-	-	SEE SHEET 1	-	-	-

HOUSING VERSION FOR 3 FIXED POS. OF THE CABLE OUTLET



CODINGS KODIERUNGEN



NOTES SEE SHEET 1 OF 2

		Kontaktverrastgehäuse RETAINER 1Way HF plug hsg.		natural	2		
3-2141494-4	1	A	1.05	N	1z	1	1-1452581-4
3-2141494-3	1	A	1.05	M	1n	1	1-1452581-3
3-2141494-2	1	A	1.05	L	1m	1	1-1452581-2
3-2141494-1	1	A	1.05	Z	1l	1	1-1452581-1
3-2141494-0	1	A	1.05	K	1k	1	1-1452581-0
2-2141494-9	1	A	1.05	I	1i	1	0-1452581-9
2-2141494-8	1	A	1.05	H	1h	1	0-1452581-8
2-2141494-7	1	A	1.05	G	1g	1	0-1452581-7
2-2141494-6	1	A	1.05	F	1f	1	0-1452581-6
2-2141494-5	1	A	1.05	E	1e	1	0-1452581-5
2-2141494-4	1	A	1.05	D	1d	1	0-1452581-4
2-2141494-3	1	A	1.05	C	1c	1	0-1452581-3
2-2141494-2	1	A	1.05	B	1b	1	0-1452581-2
2-2141494-1	1	A	1.05	A	1a	1	0-1452581-1

TE PN	QTY PER ASSY	REV	ASSY WEIGHT (g)	KEY CODING	DESCRIPTION COMPONENT	COLOUR SIMILAR TO	ITEM NO	QTY PER ASSY	SUITABLE FOR
ASSY'S LIST					COMPONENTS LIST				

THIS DRAWING IS A CONTROLLED DOCUMENT. DWN: T. Asthour 14OCT2010
 CHK: H. RIPPER 19OCT2010

TE Connectivity

PLUG HSG. 1WAY, 90 DEG. COAX FAKRA2
 BUCHSENGEHÄUSE, 1POL., 90 GRAD
 COAX FAKRA2

SIZE: A1 CAGE CODE: 00779 DRAWING NO: 2141494
 WEIGHT: 114-18803
 SCALE: 5:1 SHEET 2 OF 2 REV: A1