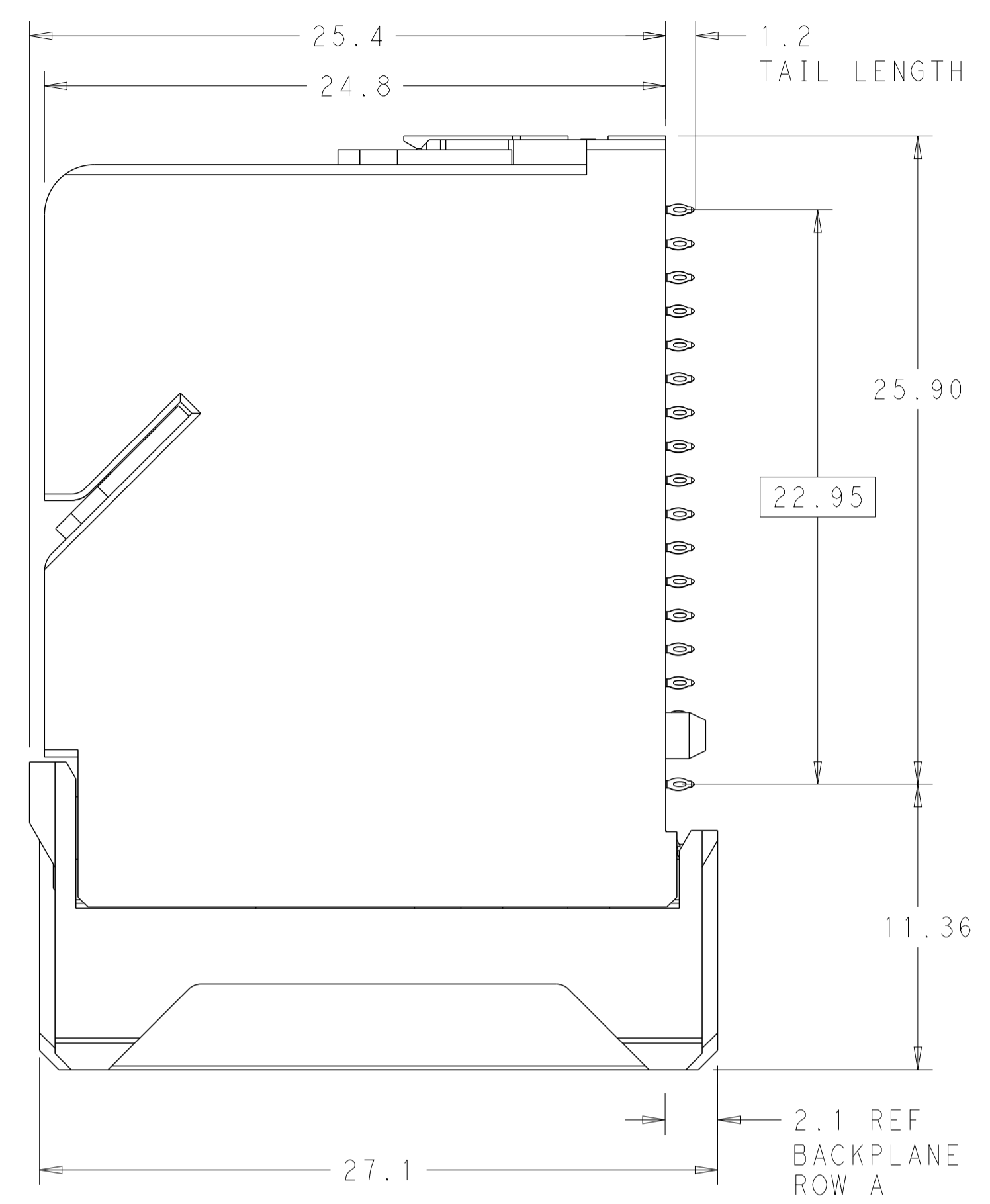
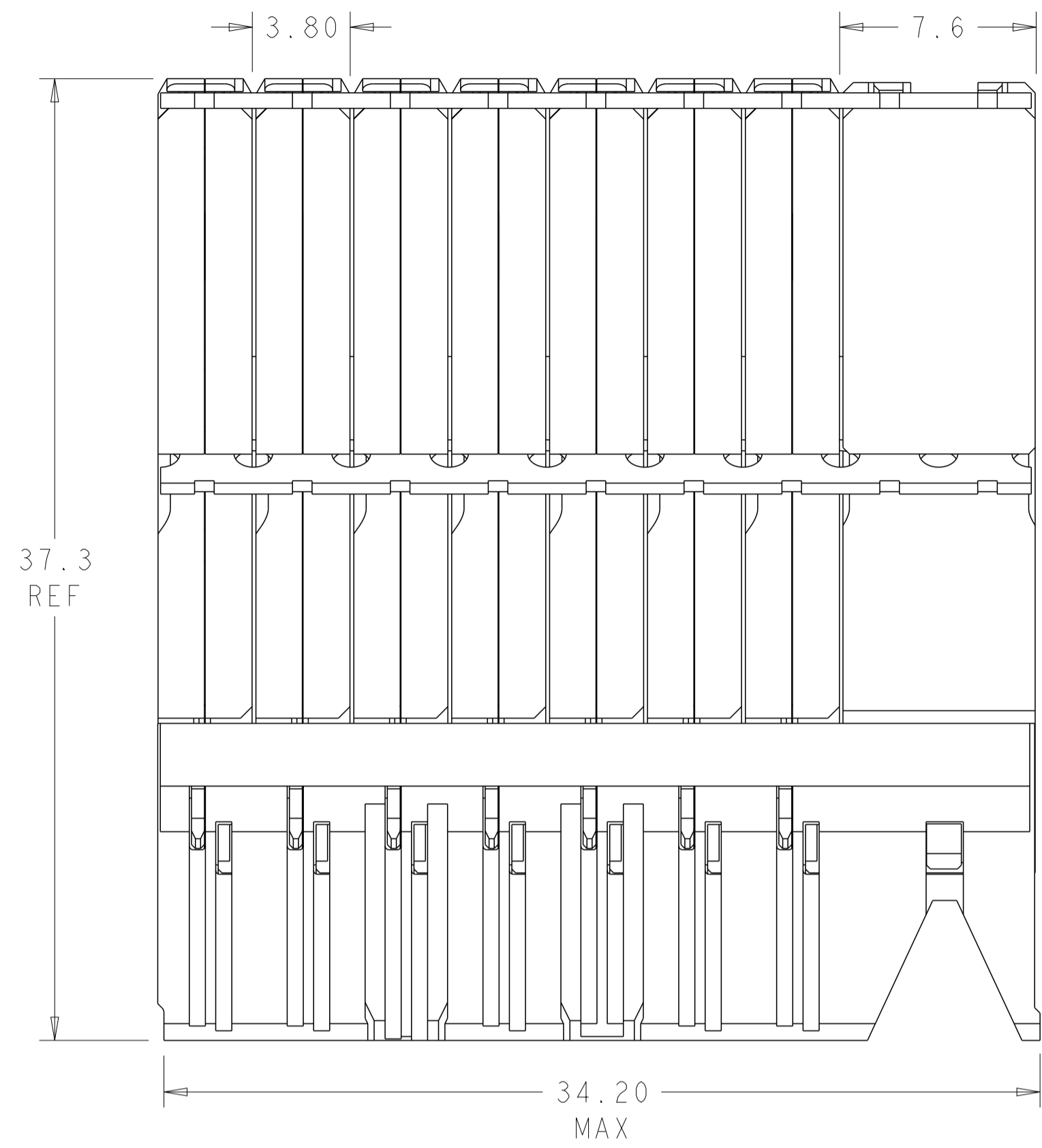
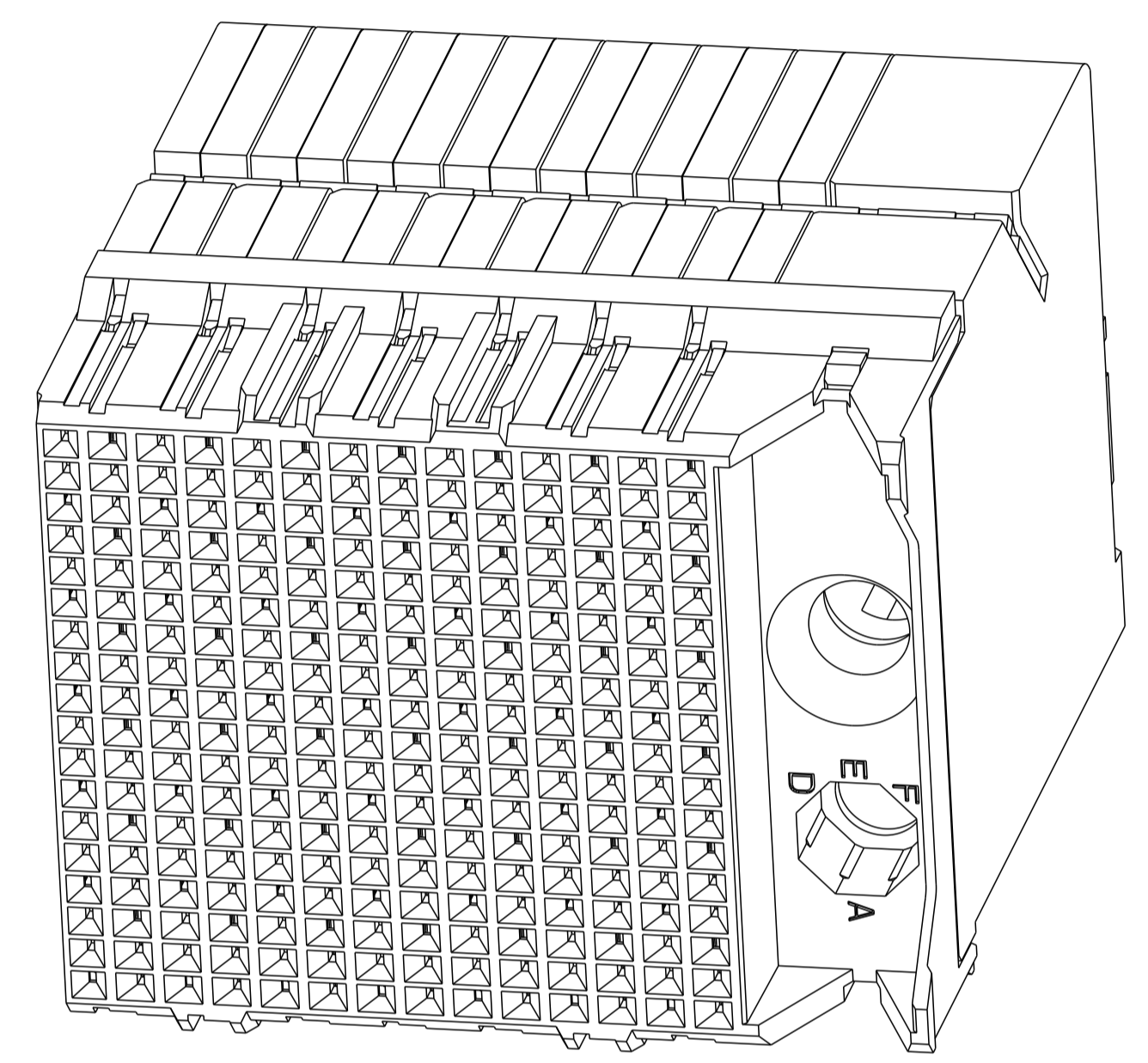


REVISIONS				
P	LTN	DESCRIPTION	DATE	APVD
E		REVISED PER ECO-15-012351	03SEP2015	AP SY

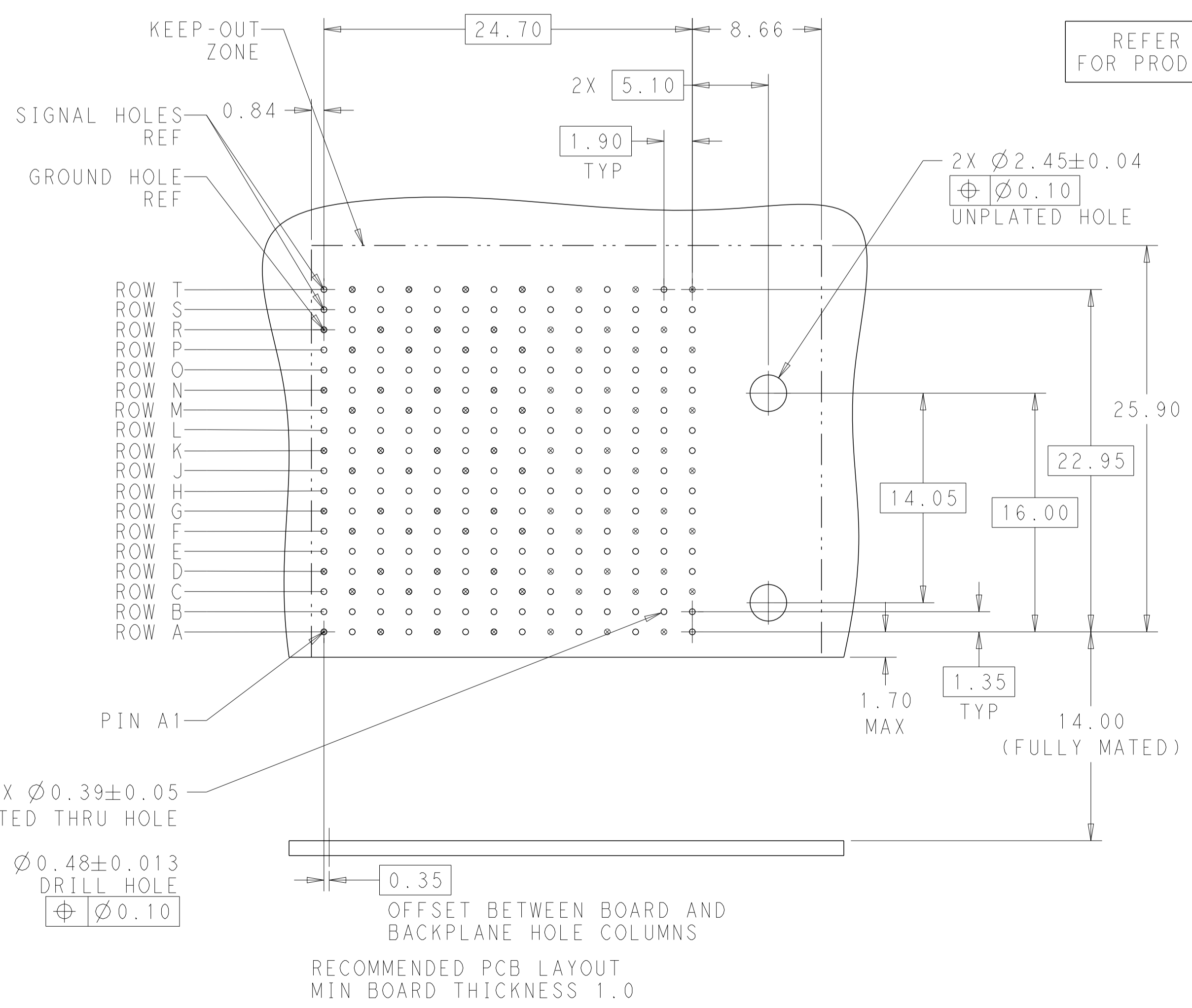
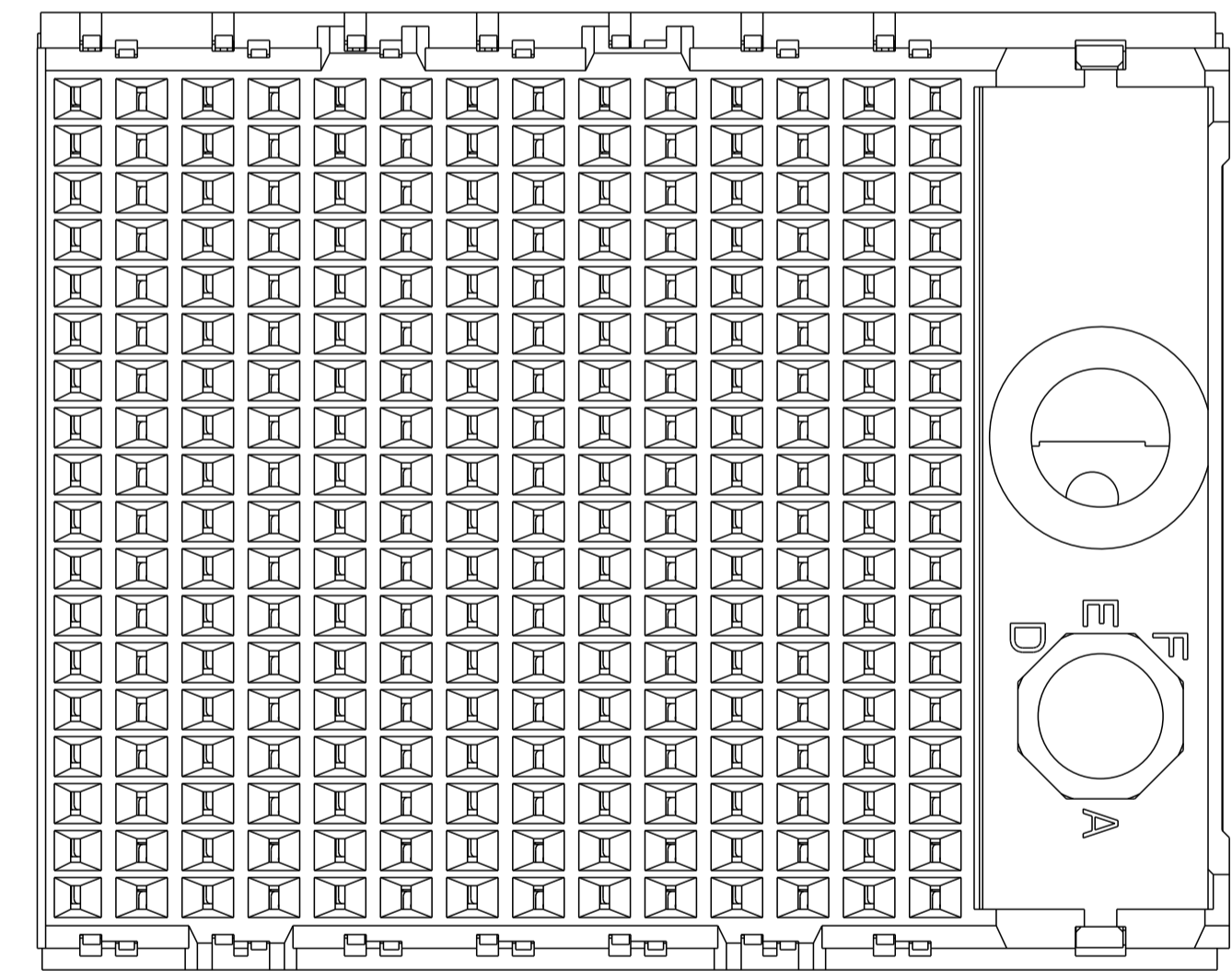


- ⚠ MATERIAL:
HOUSING: LCP, GLASS FILLED, UL94V-0.
TERMINALS: HIGH PERFORMANCE COPPER ALLOY.
- ⚠ FINISH:
30µ" SELECTIVE GOLD IN CONTACT AREA. SELECTIVE TIN ON PCB TAILS, NICKEL OVERALL.
- 3. CONNECTORS SUPPLIED WITH MOUNTING SCREWS



SCALE 4:1

REFER TO WWW.TE.COM FOR PRODUCT AVAILABILITY



KEY POSITION CHART	
	NONE
	A
	B
	C
	D
	E
	F
	G
	H

KEY POSITION	FINISH	PART NUMBER
H	⚠	8-2057990-1
G	⚠	7-2057990-1
F	⚠	6-2057990-1
E	⚠	5-2057990-1
D	⚠	4-2057990-1
C	⚠	3-2057990-1
B	⚠	2-2057990-1
A	⚠	1-2057990-1
NONE	⚠	2057990-1

THIS DRAWING IS A CONTROLLED DOCUMENT.

DIMENSIONS:	TOLERANCES UNLESS OTHERWISE SPECIFIED:	OWN: B. CARBO 19AUG2010	CHK: D. DIXON 19AUG2010	APVD: D. DIXON 19AUG2010
mm	0 PLC ±0.2 1 PLC ±0.2 3 PLC ±0.10 4 PLC ± ANGLES ±	NAME: IMPACT, STD, R/A, 6 PAIR, 14 COLUMN, DAUGHTERCARD, RIGHT GUIDED SIGNAL MODULE, 0.39 EYELET		
MATERIAL:	SEE TABLE	SIZE: A1	CAGE CODE: 00779	DRAWING NO: C=2057990
		WEIGHT:	Customer Drawing	RESTRICTED TO: -

SCALE 5:1 SHEET 1 OF 1 REV E