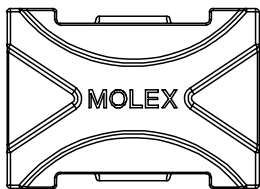
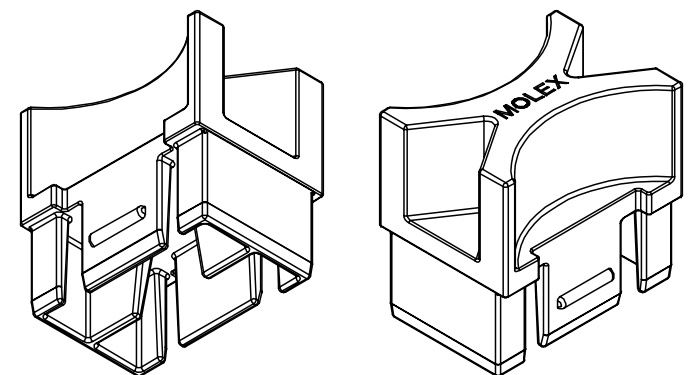
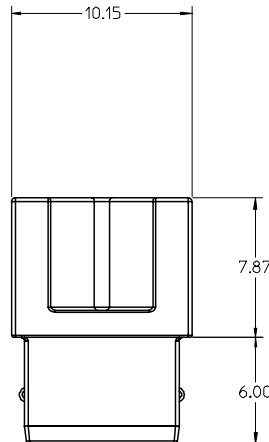
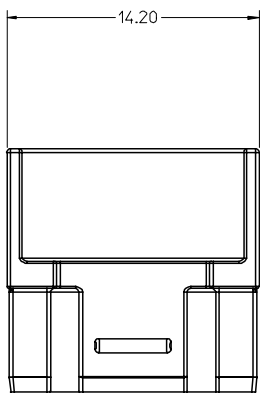


13 12 11 10 9 8 7 6 5 4 3 2 1

J
I
H
G
F
E
D
C
B
A



- NOTES:
 1. MATERIAL: POLYESTER, UL94V-0, COLOR: BLACK.
 2. PART COMPLIES WITH CLASS B OF COSMETIC SPECIFICATION PS-45499-002.
 3. PACKAGED PER PK-75951-001.



INITIAL RELEASE EC NO: UCP2007-2710 DRAWN BY: MIBARRA 2007/06/07 CHKD: BBARKER 2007/06/05 APPR: SMILLER 2007/06/07 REVISIONS A	QUALITY SYMBOLS	GENERAL TOLERANCES (UNLESS SPECIFIED)	DIMENSION STYLE	SCALE	DESIGN UNITS	THIRD ANGLE PROJECTION
	$\nabla=0$ $\nabla=0$ $\nabla=6$	mm INCH 4 PLACES ± --- ± --- 3 PLACES ± --- ± --- 2 PLACES ± 0.13 ± --- 1 PLACE ± 0.25 ± --- ANGULAR ±1/2°	MM ONLY	5:1	METRIC	MIBARRA 2007/04/30 BBARKER 2007/04/30 SMILLER 2007/04/30
	DESCRIPTION	MATERIAL NO. 75951-0999		DOCUMENT NO. SD-75951-999		SHEET NO. 1 OF 1
	DRAFT WHERE APPLICABLE MUST REMAIN WITHIN DIMENSIONS		THIS DRAWING CONTAINS INFORMATION THAT IS PROPRIETARY TO MOLEX INCORPORATED AND SHOULD NOT BE USED WITHOUT WRITTEN PERMISSION			

J
I
H
G
F
E
D
C
B
A

12 11 10 9 8 7 6 5 4 3 2 1