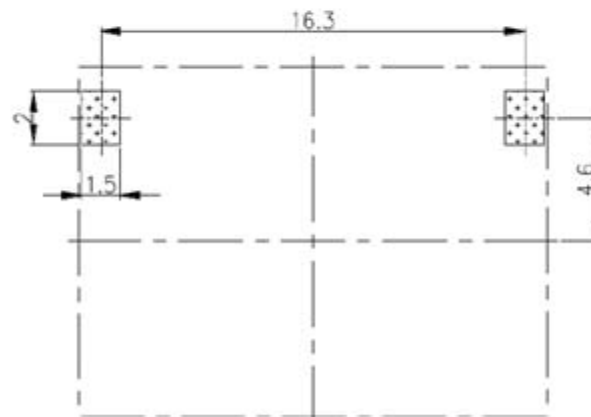
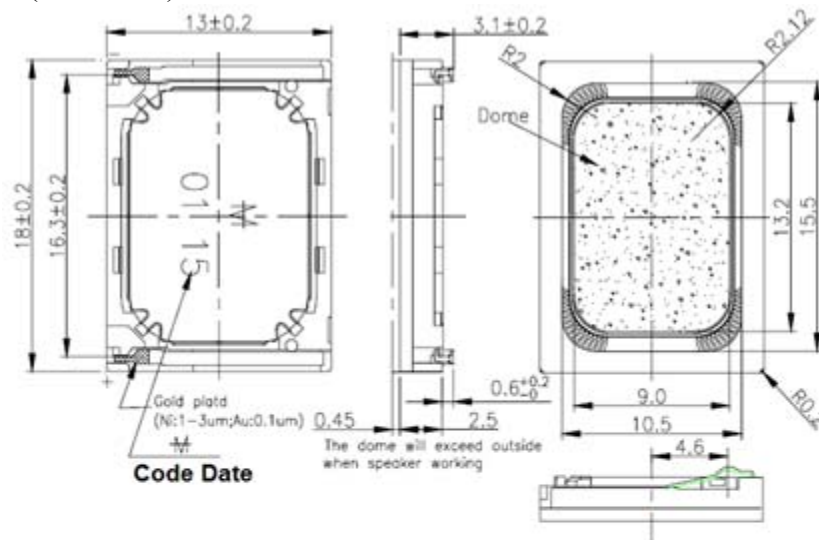


Specifications: NOT FOR NEW DESIGNS

Impedance (Ω)	$8 \pm 15\%$ at 2000 Hz at 1.0 V
Rated Power (W)	0.7
Max Power (W)	1.0
Resonance Freq Fo (Hz)	$480 \pm 20\%$ at 1.0V $900 \pm 15\%$ at 1.0V in 1cc closed box
Frequency Range (Hz)	Fo ~ 7000
Output S.P.L. (dB)	91 ± 3 at 0.7w/0.1m 3.0kHz in 1cc closed box 73 ± 3 at 1w/1m 3.0kHz in 1cc closed box
Magnet	Nd-Fe-B
Frame Material	PPA
Operating / Storage Temp	-20 to 60°C/ -40 to 85°C
Weight (g)	1.6
Options	For other options contact factory

Dimensions: ± 0.2 (units: mm)**ROHS Compliant****Recommended PCB Layout**

TYPICAL FREQUENCY RESPONSE CURVE

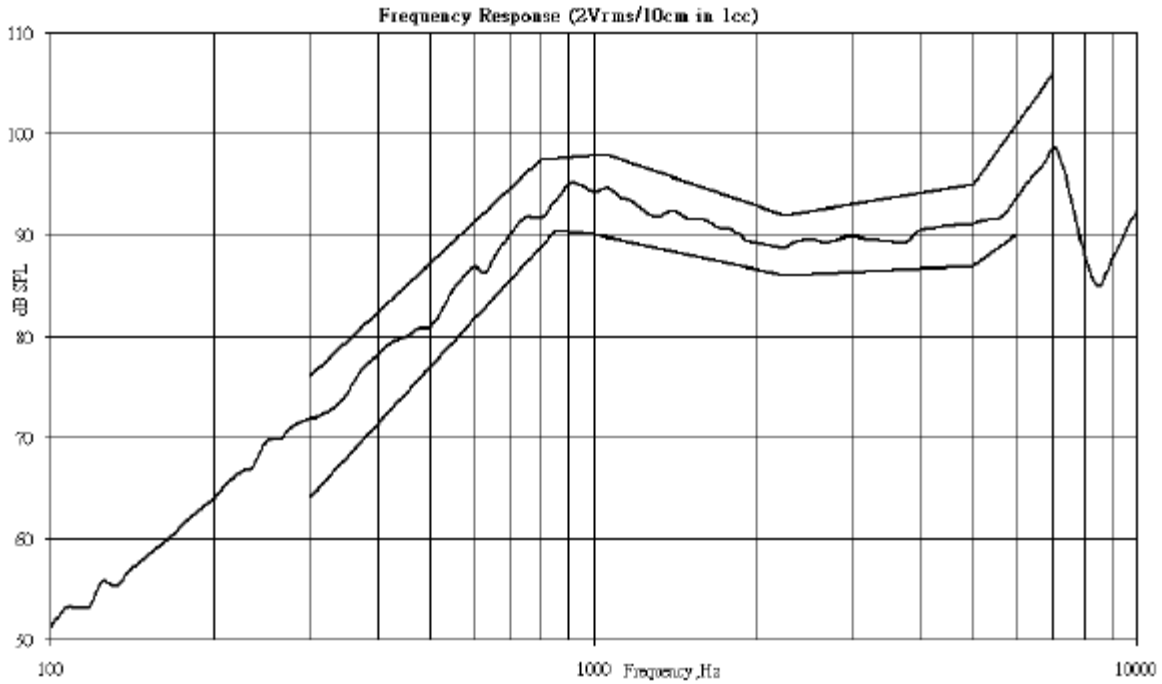


Table 1: Tolerance Limits Date for FR

Frequency (Hz)	Upper Limits(dB)	Frequency(Hz)	LowerLimits (dB)
300	76	300	64
800	97.5	850	90.5
1050	98	1000	90
2250	92	2250	86
5000	95	5000	87
7000	106	6000	90

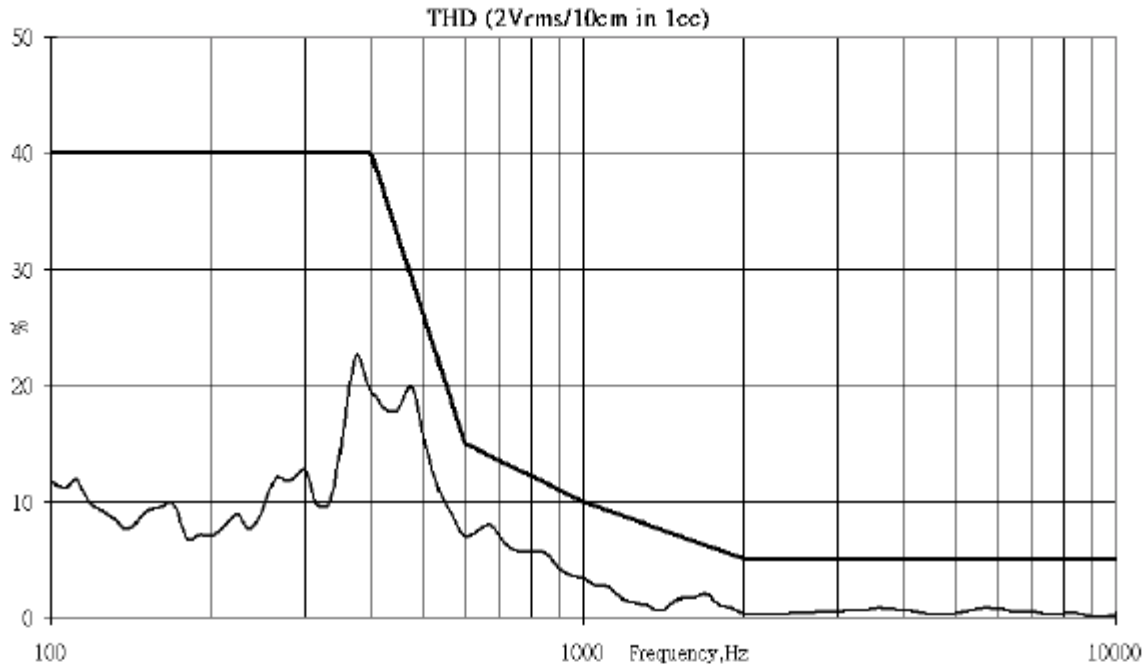
DISTORTION CURVE

Table 2: Limits Date for THD

Frequency (Hz)	Limits (%)
100	40
400	40
600	15
1000	10
2000	5
10000	5