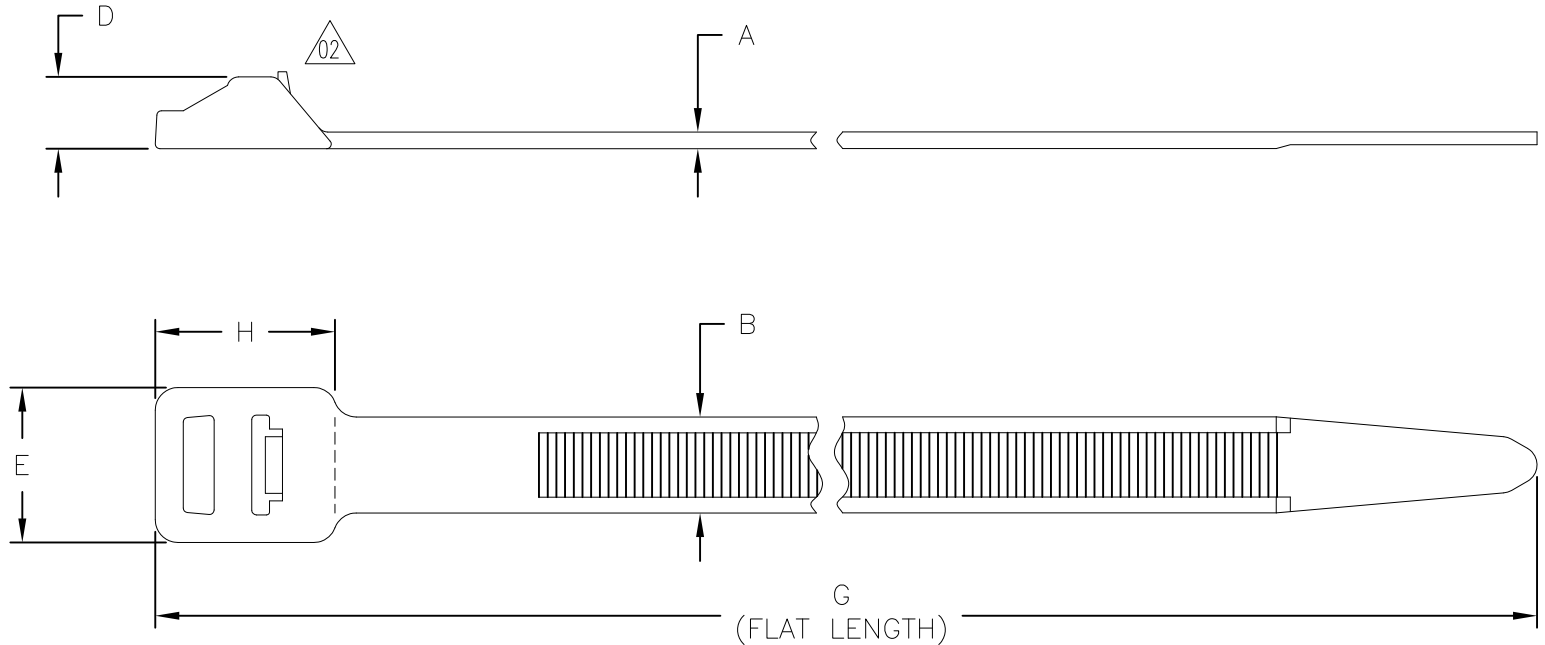


Revision level		Revision Record	Changed	Date	Approved	Date
part	drawing					
-	02					



PRODUCT CODE DESCRIPTION

RT250I_UV

COLOR

(CONSULT FACTORY FOR AVAILABLE COLORS)

Aerospace Spec Tie SAE AS33671	Product Code	Cable Range (mm)	Material	A	B	D	E	G	H	Min Loop Tensile Strength (newtons)
no	RT250I_	12 to 203	PA66	2.2 ±0.2	12.5±0.2	9.5 ±0.5	20.0±0.5	730.0 ±5.0	22.4 ±1.0	1115
no	RT250I_HS		PA66HS							
no	RT250I_UV		PA66UV							

SEE CHART

Material

Dimension tolerances unless otherwise specified

.XXXX = ± .0130

.XXX = ± .130

.XX = ± .30

.X = ± .8

∠ = ± 0.5 °

Dimension Units mm

PERFORMANCE SPECIFICATION

ACAD MECH
2010



Drawn

GGG

07/31/91

Approved

K.A.C.

4/22/11

Scale

1:1

Computer File Number

CT\CST\2250008_02

Title

RT250I

Phase: Production

**RELEASABLE HEAVY DUTY
LASHING CABLE TIE**

ALL PROPRIETARY RIGHTS IN THE
SUBJECT MATTER SHOWN ON THIS
DRAWING ARE EXCLUSIVE
PROPERTY OF HELLERMANN TYTON

HellermannTyton

7930 N. Faulkner Rd.
Milwaukee, WI 53224
Ph: (414) 355-1130
Fx: (414) 362-8338

Drawing-No

CT2250008CST

Format

AH

Sheet 1 of 1