

LTC2383-16/LTC2382-16/ LTC2381-16: 16-Bit, 1.0MSPS/ 0.5MSPS/0.25MSPS Low Power, Low Noise ADCs

DESCRIPTION

The LTC[®]2383-16/LTC2382-16/LTC2381-16 are low power, low noise ADCs with serial outputs that can operate from a single 2.5V supply. The following text refers to the LTC2383-16 but applies to all three parts. The only difference being the maximum sample rates. The LTC2383-16 supports a $\pm 2.5V$ fully differential input range with a 92dB SNR, consumes only 13mW and achieves $\pm 2LSB$ INL max with no missing codes at 16-bits. The DC1571A demonstrates the DC and AC performance of the LTC2383-16 in conjunction with the DC590 QuickEval and DC718 Fast DAACS data collection boards. Use the DC590 to demonstrate DC

performance such as peak-to-peak noise and DC linearity. Use the DC718 if precise sampling rates are required or to demonstrate AC performance such as SNR, THD, SINAD and SFDR. The demonstration circuit DC1571A is intended to demonstrate recommended grounding, component placement and selection, routing and bypassing for this ADC. Several suggested driver circuits for the analog inputs will also be presented.

Design files for this circuit board are available at <http://www.linear.com/demo>

LT, LT, LTC, LTM, Linear Technology and the Linear logo are registered trademarks of Linear Technology Corporation. All other trademarks are the property of their respective owners.

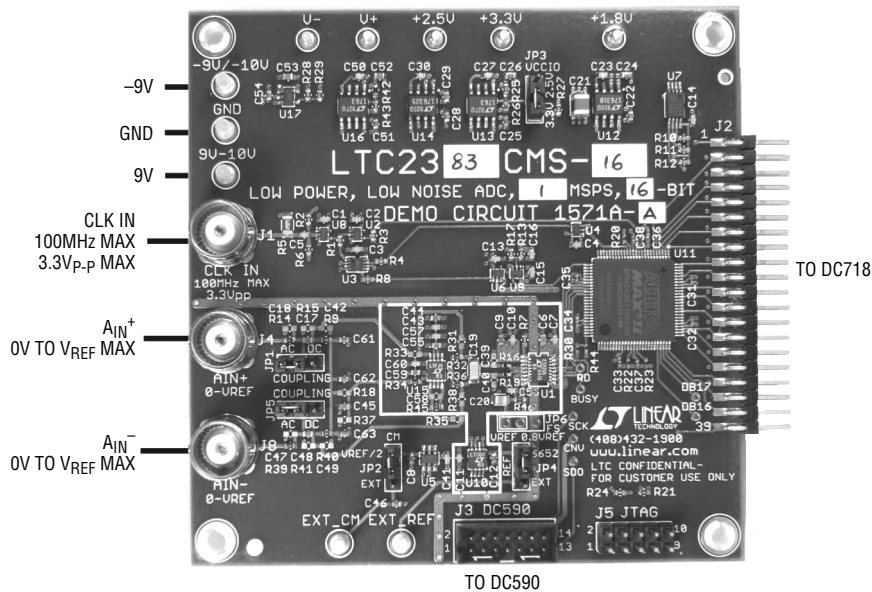


Figure 1. DC1571A Connection Diagram

Table 1. DC1571A Assembly Options

ASSEMBLY VERSION	U1 PART NUMBER	MAX CONVERSION RATE	MAX CLK IN FREQUENCY
DC1571A-A	LTC2383CMS-16	1MSPS	80MHz
DC1571A-B	LTC2382CMS-16	0.5MSPS	40MHz
DC1571A-C	LTC2381CMS-16	0.25MSPS	20MHz

DC718 QUICK START PROCEDURE

Check to make sure that all switches and jumpers are set as shown in the connection diagram of Figure 1. The default connections configure the ADC to use the onboard reference and common mode voltages. The analog input is AC coupled. Connect the DC1571A to a DC718 USB High Speed Data Collection Board using connector J2. Connect the DC718 to a host PC with a standard USB A/B cable. Apply $\pm 9V$ to the indicated terminals. Apply a low jitter signal source to J4. The default setup uses a single ended to differential converter so that it is only necessary to apply an input signal to J4. Connect a low jitter 80MHz 3.3Vpp sine wave or square wave to connector J1. Note that J1 has a 50Ω termination resistor to ground.

Run the QuickEval-II software (Pscope.exe version K68 or later) supplied with the DC718 or download it from www.linear.com.

Complete software documentation is available from the Help menu. Updates can be downloaded from the Tools menu. Check for updates periodically as new features may be added.

The Pscope software should recognize the DC1571A and configure itself automatically.

Click the Collect button (See Figure 6) to begin acquiring data. The Collect button then changes to Pause, which can be clicked to stop data acquisition.

DC590 SETUP

To use the DC590 with the DC1571A it is necessary to apply $-9V$ and ground to the $-9V$ and GND terminals or disable amplifier U15 by moving R32 and R36 to R31 and R38 respectively. If U15 is disabled, it is required that J4 and J8 are both driven. If U15 is not disabled then it is only necessary to drive J4. Connect the DC590 to a host PC with a standard USB A/B cable. Connect the DC1571A

to a DC590 USB serial controller using the supplied 14-conductor ribbon cable. Apply a signal source to J4 or J4 and J8 depending on how the DC1571A is configured.

Run the evaluation software supplied with the DC590 or download it from www.linear.com. The correct control panel will be loaded automatically. Click the COLLECT button (Figure 7) to begin reading the ADC.

DC1571A SETUP

DC Power

The DC1571A requires $\pm 9V_{DC}$ at approximately 100mA. Most of the supply current is consumed by the CPLD, op amps, regulators and discrete logic on the board. The $\pm 9V_{DC}$ input voltage powers the ADC through LT[®]1763 regulators which provide protection against accidental reverse bias. Additional regulators provide power for the CPLD and op amps. See Figure 1 for connection details.

Clock Source

You must provide a low jitter $3.3V_{P-P}$ sine or square wave to J1. The clock input is AC coupled so the DC level of the clock signal is not important. A generator like the HP8644 or similar is recommended. Even a good generator can start to produce noticeable jitter at low frequencies. Therefore it

is recommended for lower sample rates to divide down a higher frequency clock to the desired sample rate. The ratio of clock frequency to conversion rate is 80:1. If the clock input is to be driven with logic, it is recommended that the 50Ω terminator (R5) be removed. Slow rising edges may compromise the SNR of the converter in the presence of high amplitude higher frequency input signals.

Data Output

Parallel data output from this board (0V to 3.3V default), if not connected to the DC718, can be acquired by a logic analyzer, and subsequently imported into a spreadsheet, or mathematical package depending on what form of digital signal processing is desired. Alternatively, the data can be fed directly into an application circuit. Use Pin 3 of J2 to

DC1571A SETUP

latch the data. The data can be latched using either edge of this signal. The data output signal levels at J2 can also be reduced to 0V to 2.5V if the application circuit cannot tolerate the higher voltage. This is accomplished by moving JP3 to the 2.5V position.

Reference

JP4 selects between an on-board LTC6652 2.5V reference and an external reference. If an external reference is used it must settle quickly in the presence of glitches on the REF pin.

Analog Input

The default driver for the analog inputs of the LTC2383-16 on the DC1571A is shown in Figure 2. This circuit converts a single-ended 0V to 2.5V input signal applied at A_{IN}^+ into a differential signal with a swing of $\pm 2.5V$ between the +IN and -IN inputs of the ADC. In addition, this circuit band limits the input frequencies to approximately 500kHz which is the useful linear bandwidth of the LTC2383-16.

Alternatively, if your application circuit produces a differential signal which can drive the ADC but you need to level shift the input signal, the circuit of Figure 3 can be used. The circuit of Figure 3 AC couples the input signal and is usable down to about 10kHz. The lower frequency limit can be extended by increasing C17 and C48. The circuit of Figure 3 can be implemented on the DC1571A by putting JP1 and JP5 in the AC position and moving R32 and R36 to the R31 and R38 positions. At this point it will be necessary to drive both A_{IN}^+ and A_{IN}^- . One of these RC pairs can be attached to the input of the circuit in Figure 2. This allows a single-ended input signal to be

level shifted. This is the default condition for the DC1571A. One of the most asked for ADC driver circuits is one that allows the input voltage to go below ground with a single supply ADC. Figure 4's input driver allows an input voltage range of $\pm 10V$. The circuit of Figure 4 can be implemented on the DC1571A by replacing R9 and R45 with 2k, R15 and R39 with 16k and putting JP5 in the DC position.

Data Collection

For SINAD, THD or SNR testing, a low noise, low distortion generator such as the B & K Type 1051 or Stanford Research DS360 should be used. A low jitter RF oscillator such as the HP8644 is used as the clock source.

This demo board is tested in house by attempting to duplicate the FFT plot shown on the front page of the LTC2383-16 data sheet. This involves using a 80MHz clock source, along with a sinusoidal generator at a frequency of 20kHz. The input signal level is approximately -1dBfs. The input is filtered with a 20kHz single-pole RC filter shown in Figure 5. The FFT shown in the data sheet is a 32k point FFT. A typical FFT obtained with DC1571A is shown in Figure 6.

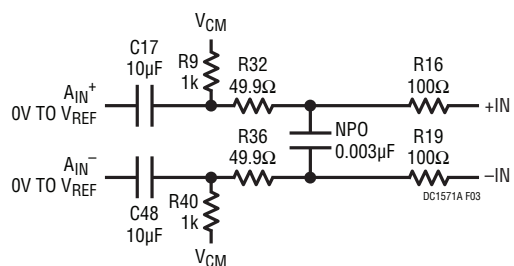


Figure 3. AC-Coupled Differential Driver

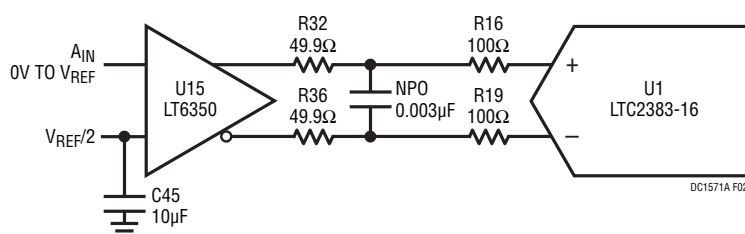


Figure 2. Single Ended to Differential Converter

DC1571A SETUP

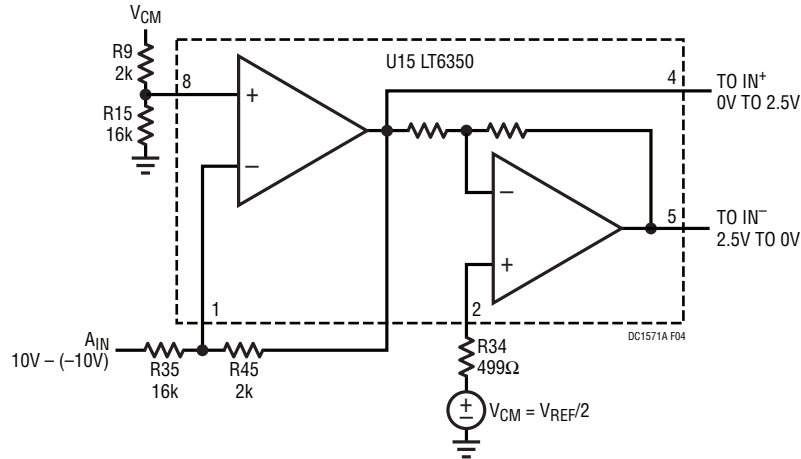


Figure 4. DC Coupled Single-Ended to Differential Driver

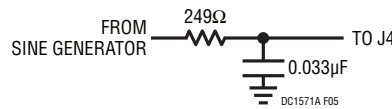


Figure 5. 20kHz RC Filter

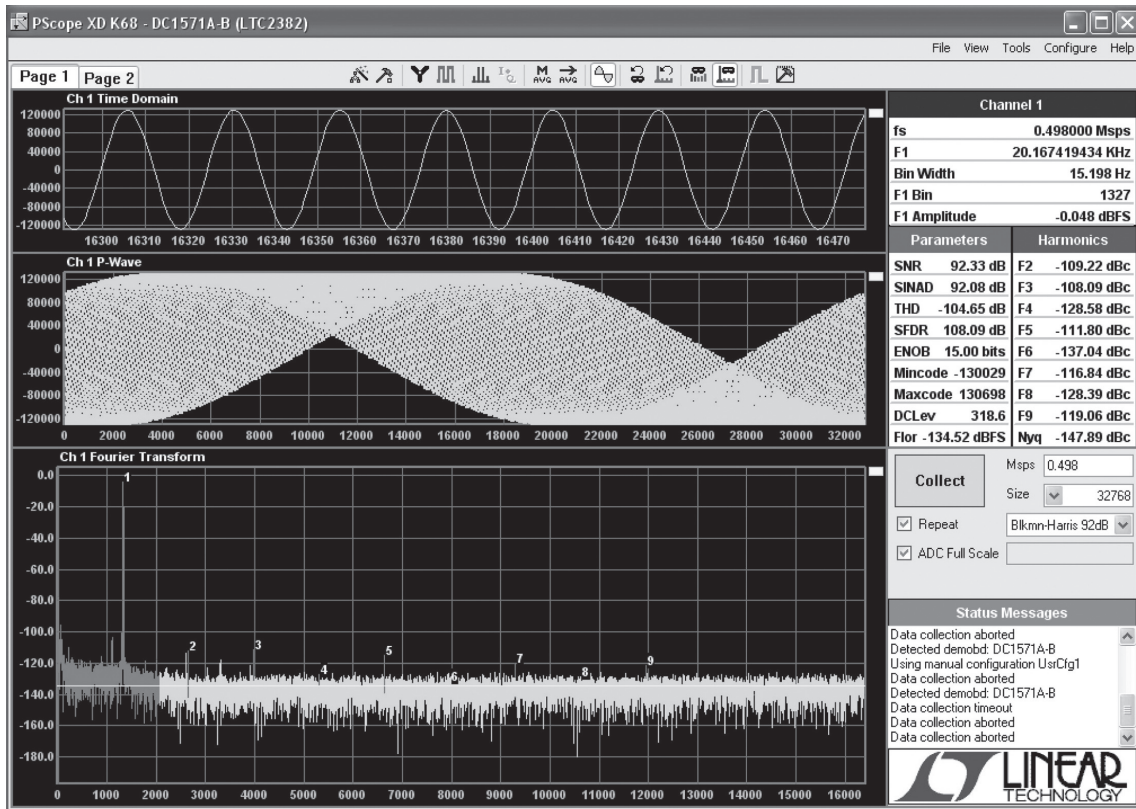


Figure 6. Pscope Screen Shot

DC1571A SETUP

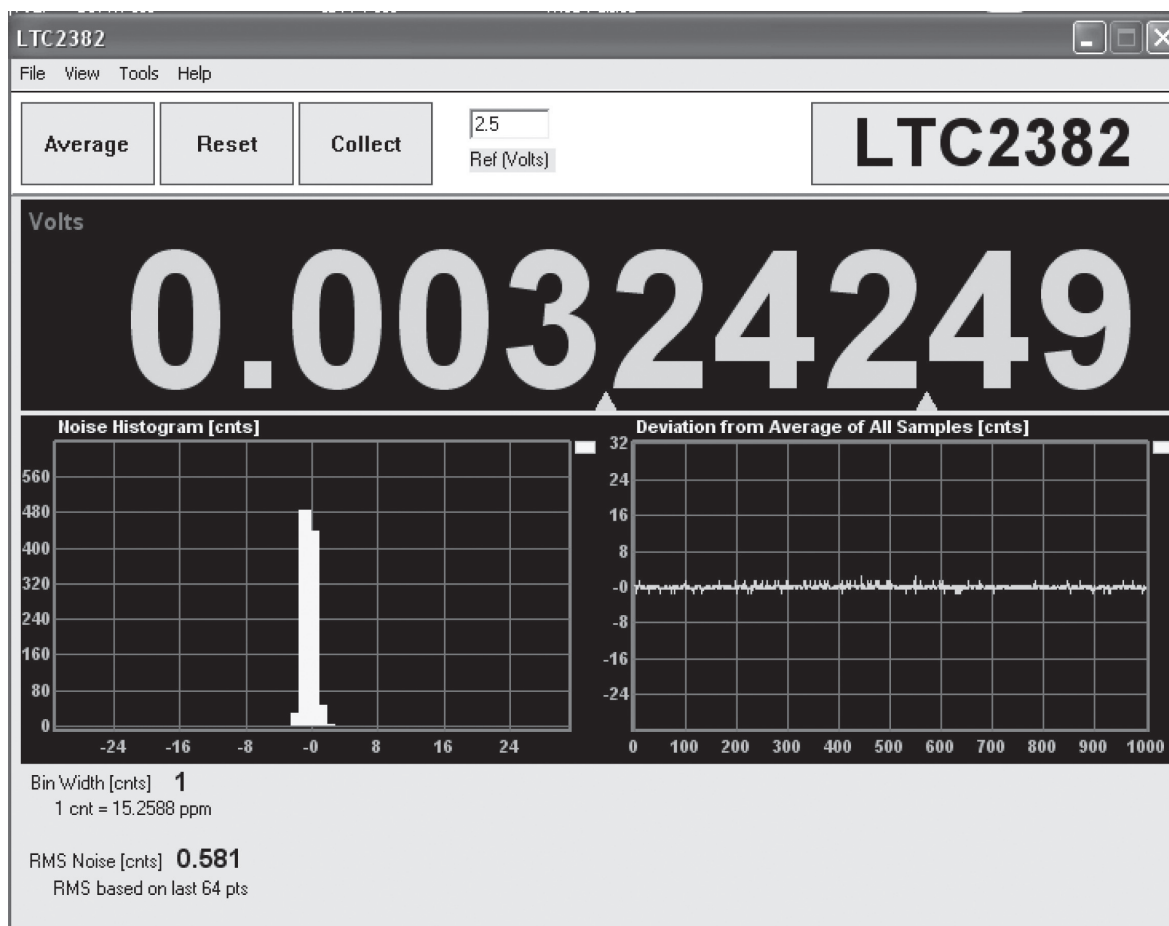


Figure 7. QuikEval Screen Shot

There are a number of scenarios that can produce misleading results when evaluating an ADC. One that is common is feeding the converter with a frequency, that is a sub-multiple of the sample rate, which will only exercise a small subset of the possible output codes. The proper method is to pick an M/N frequency for the input sine wave frequency. N is the number of samples in the FFT. M is a prime number between one and $N/2$. Multiply M/N by the sample rate to obtain the input sine wave frequency. Another scenario that can yield poor results is if you do not have a signal generator capable of ppm frequency accuracy or if it cannot be locked to the clock frequency. You can use an FFT with windowing to reduce the “leakage” or spreading of the fundamental, to get a close approximation of the ADC performance. If an amplifier or clock source with poor phase noise is used, the windowing will not improve the SNR.

Layout

As with any high performance ADC, this part is sensitive to layout. The area immediately surrounding the ADC on the DC1571A should be used as a guideline for placement, and routing of the various components associated with the ADC. Here are some things to remember when laying out a board for the LTC2383-16. A ground plane is necessary to obtain maximum performance. Keep bypass capacitors as close to supply pins as possible. Use individual low impedance returns for all bypass capacitors. Use of a symmetrical layout around the analog inputs will minimize the effects of parasitic elements. Shield analog input traces with ground to minimize coupling from other traces. Keep traces as short as possible.

DC1571A SETUP

Component Selection

When driving a low noise, low distortion ADC such as the LTC2383-16, component selection is important so as to not degrade performance. Resistors should have low values to minimize noise and distortion. Metal film resistors are recommended to reduce distortion caused

by self heating. Because of their low voltage coefficients, to further reduce distortion. NPO or silver mica capacitors should be used. Any buffer used to drive the LTC2383-16 should have low distortion, low noise and a fast settling time such as the LT6350.

DC1571A JUMPERS

Definitions

JP1: Selects AC or DC coupling of A_{IN}^+ . The default setting is AC.

JP2: V_{CM} sets the DC bias for A_{IN}^+ and A_{IN}^- when the inputs are AC coupled. $V_{REF}/2$ is the default setting.

JP3: V_{CCIO} sets the output levels at J2 to either 3.3V or 2.5V. Use 3.3V to interface to DC718 which is the default setting.

JP4: Ref selects between the LTC6652 2.5V reference and an external reference. LTC6652 is the default setting.

JP5: Selects AC or DC coupling of A_{IN}^- . The default setting is AC.

PARTS LIST

LTC23XXCMS Family

ITEM	QTY	REFERENCE-DESCRIPTION	PART DESCRIPTION	MANUFACTURER/PART NUMBER
1	16	C1-C5, C7, C10, C11, C13-C16, C43, C56, C57, C60	CAP., X5R, 0.1 μ F, 16V,10%	AVX, 0603YD104KAT
2	12	C6, C9, C17, C24, C26, C29, C45, C48, C52, C53, C61, C63	CAP., X5R, 10 μ F 6.3V,20%,0603	TDK, C1608X5R0J106MT
3	12	C8, C12, C22, C25, C28, C44, C46, C51, C54, C55, C59, C62	CAP., X7R, 1 μ F 16V,10%,0603	TDK, C1608X7R1C105K
4	0	C18, C39, C40, C41, C47, C49, C58	CAP., 0603	OPT
5	1	C19	CAP., C0G, 3300pF, 50V, 10%, 1206	AVX, 12065A332KAT2A
6	1	C20	CAP., X5R, 47 μ F 6.3V,20%,0805	TAIYO YUDEN, JMK212BJ476MG-T
7	1	C21	CAP., X5R, 22 μ F 16V,20%,1210	TAIYO YUDEN, EMK325BJ226MM-T
8	4	C23, C27, C30, C50	CAP., X7R, 0.01 μ F, 16V,10%	AVX, 0603YC103KAT
9	8	C31-C38	CAP., X7R, 0.1 μ F, 16V,10%	TDK, C1005X7R1C104KT
10	1	C42	CAP., C0G, 15pF, 50V, 10%, 0603	AVX, 06035A150KAT2A
11	5	E1, E4, E6, E7, E10	TP, TURRET, 0.094"	MILL-MAX, 2501-2-00-80-00-00-07-0
12	5	E2, E3, E5, E8, E9	TP, TURRET, 0.064"	MILL-MAX, 2308-2-00-80-00-00-07-0
13	3	J1, J4, J8	CONN., BNC-5PINS	CONNEX, 112404
14	1	J2	CONN., 40PINS SMT, CON-EDGE40-100	SAMTEC, TSW-120-07-L-D
15	1	J3	HEADER, 2X7, 0.079"	MOLEX, 87831-1420
16	1	J5	HEADER, 2X5, 0.100", HD2X5-100	SAMTEC, TSW-105-07-L-D
17	5	JP1-JP5	JMP, 1X3, 0.100", HD1X3-100	SAMTEC, TSW-103-07-L-S
18	0	JP6	JMP, 1X3, 0.100", HD1X3-100	OPT
19	4	R1,R3,R4,R8	RES., CHIP 33, 1%, 0603	NIC, NRC06F33R0TRF
20	9	R2, R6, R7, R9, R13, R24, R29, R40, R43	RES., CHIP 1k, 1%, 0603	NIC, NRC06F1001TRF
21	1	R5	RES., CHIP 49.9, 1%, 1206	NIC, NRC12F49R9TRF
22	3	R10, R11, R12	RES., CHIP 4.99k, 1%, 0603	NIC, NRC06F4991TRF
23	6	R14, R33, R34, R39, R45, R46	RES., CHIP 0, 1%, 0603	NIC, NRC06F0000TRF
24	3	R15, R18, R37	RES., CHIP 1k, 1%, 0603	NIC, NRC06F1001TRF
25	2	R16, R19	RES., CHIP 100 Ω , 1%, 0402	NIC, NRC04F100RTRF
26	2	R17, R28	RES., CHIP 2k, 1%, 0603	NIC, NRC06F2001TRF
27	3	R20, R22, R23	RES., CHIP 1k, 1%, 0402	NIC, NRC04F1001TRF
28	1	R21	RES., CHIP 10k, 1%, 0603	NIC, NRC06F1002TRF
29	1	R25	RES., CHIP 1.69k, 1%, 0603	NIC, NRC06F1691TRF
30	1	R26	RES., CHIP 1.54k, 1%, 0603	NIC, NRC06F1541TRF
31	1	R27	RES., CHIP 2.80k, 1%, 0603	NIC, NRC06F2801TRF
32	1	R30	RES., CHIP 10k, 1%, 0402	NIC, NRC04F1002TRF
33	0	R31, R35, R38, R41	RES., 0603	OPT
34	2	R32, R36	RES., CHIP 49.9 Ω , 1%, 0603	NIC, NRC06F49R9TRF
35	1	R42	RES., CHIP 5.62k, 1%, 0603	NIC, NRC06F5621TRF
36	0	R44	RES., CHIP 300 Ω , 1%, 0402	OPT
37	2	U2,U4	IC, TINYLOGIC ULP-A UNBUFFERED INVERTER,SC70-5	FAIRCHILD, NC7SVU04P5X
38	1	U3	IC, SINGLE D FLIP FLOP, US8	ON SEMI., NL17SZ74
39	0	U5	IC., LT1790ACS6-1.25, SOT23-6	OPT

DEMO MANUAL DC1571A

PARTS LIST

LTC23XXCMS Family

ITEM	QTY	REFERENCE-DESCRIPTION	PART DESCRIPTION	MANUFACTURER/PART NUMBER
40	1	U6	IC, SINGLE SPST BUS SWITCH, SC70-5	FAIRCHILD, NC7SZ66P5X
41	1	U7	IC, SERIAL EEPROM, TSSOP	MICROCHIP, 24LC025-I/ST
42	2	U8, U9	IC, TINYLOGIC UHS INVERTER, SC70-5	FAIRCHILD, NC7SZ04P5X
43	1	U10	IC., LTC6652AHMS8-2.5, MS8	LINEAR TECH., LTC6652AHMS8-2.5
44	1	U11	IC, MAX II FAMILY, TQFP100	ALTERA, EPM240GT100C5N
45	1	U12	IC., LT1763CS8-1.8, S08	LINEAR TECH., LT1763CS8-1.8
46	2	U13,U16	IC., LT1763CS8, S08	LINEAR TECH., LT1763CS8
47	1	U14	IC., LT1763CS8-2.5, S08	LINEAR TECH., LT1763CS8-2.5
48	1	U15	IC., LT6350CMS8, MS8	LINEAR TECH., LT6350CMS8
49	1	U17	IC., LT1964ES5-SD, SOT23-5	LINEAR TECH., LT1964ES5-SD
50	4	MTG1, MTG2, MTG3, MTG4	STAND-OFF, NYLON (SNAP ON), 0.25" TALL	KEYSTONE, 8831(SNAP ON)
51	5	SHUNTS AS SHOWN ON ASSY DWG (JP1-JP5)	SHUNT, 0.100" CENTER	SAMTEC, SNT-100-BK-G
52	1	STENCIL FOR TOP SIDE		DC1571A-3
53	1	FROM JP2 PIN 1 TO E5	3" 24 GAUGE WIRE	WURTH, WE2403-5

LTC2383CMS-16

ITEM	QTY	REFERENCE-DESCRIPTION	PART DESCRIPTION	MANUFACTURER/PART NUMBER
1	1	DC1571A-3	GENERAL BOM	
2	1	U1	IC, LTC2383CMS-16, MS16	LINEAR TECH., LTC2383CMS-16

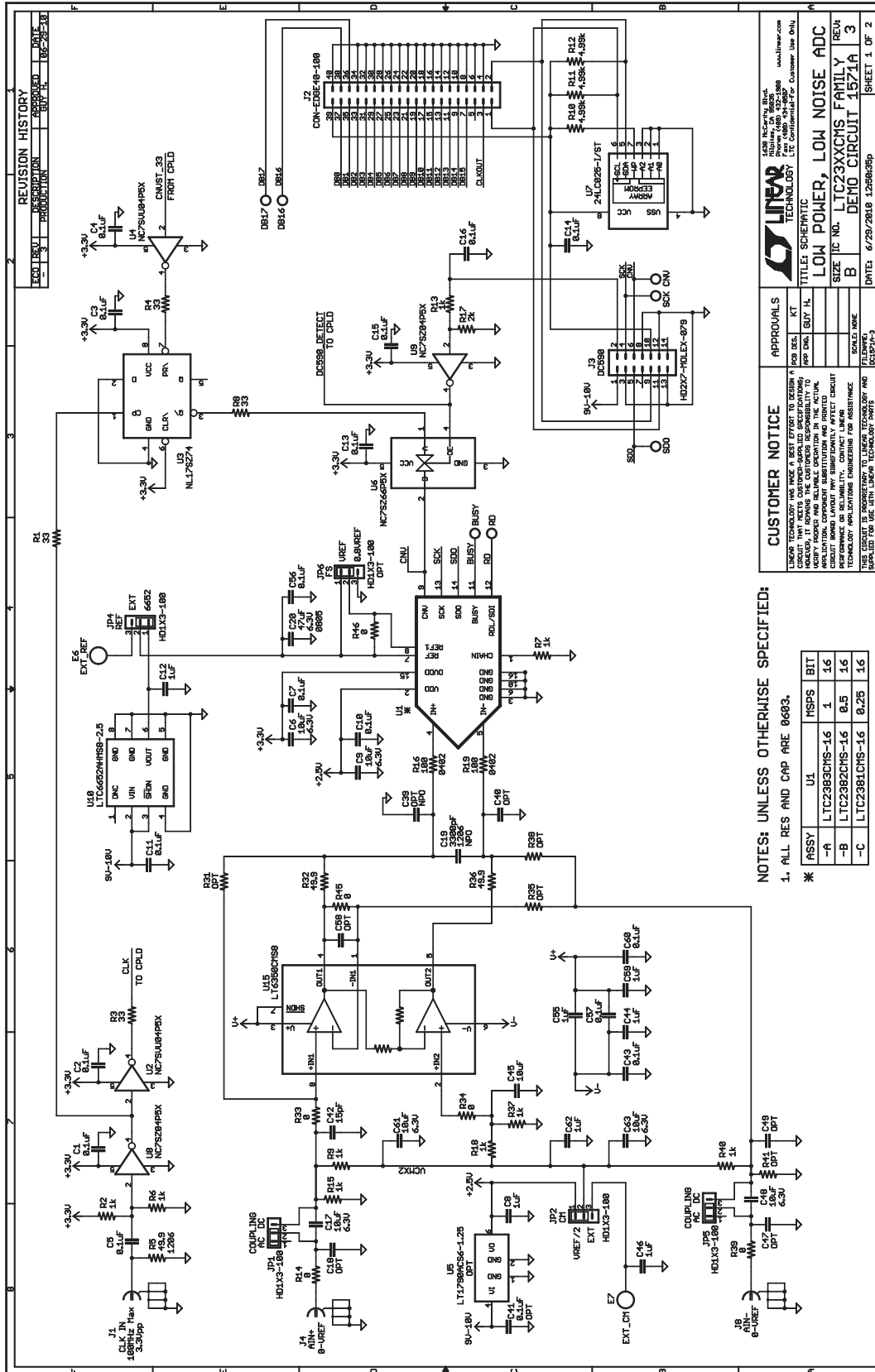
LTC2382CMS-16

ITEM	QTY	REFERENCE-DESCRIPTION	PART DESCRIPTION	MANUFACTURER/PART NUMBER
1	1	DC1571A-3	GENERAL BOM	
2	1	U1	IC, LTC2382CMS-16, MS16	LINEAR TECH., LTC2382CMS-16

LTC2381CMS-16

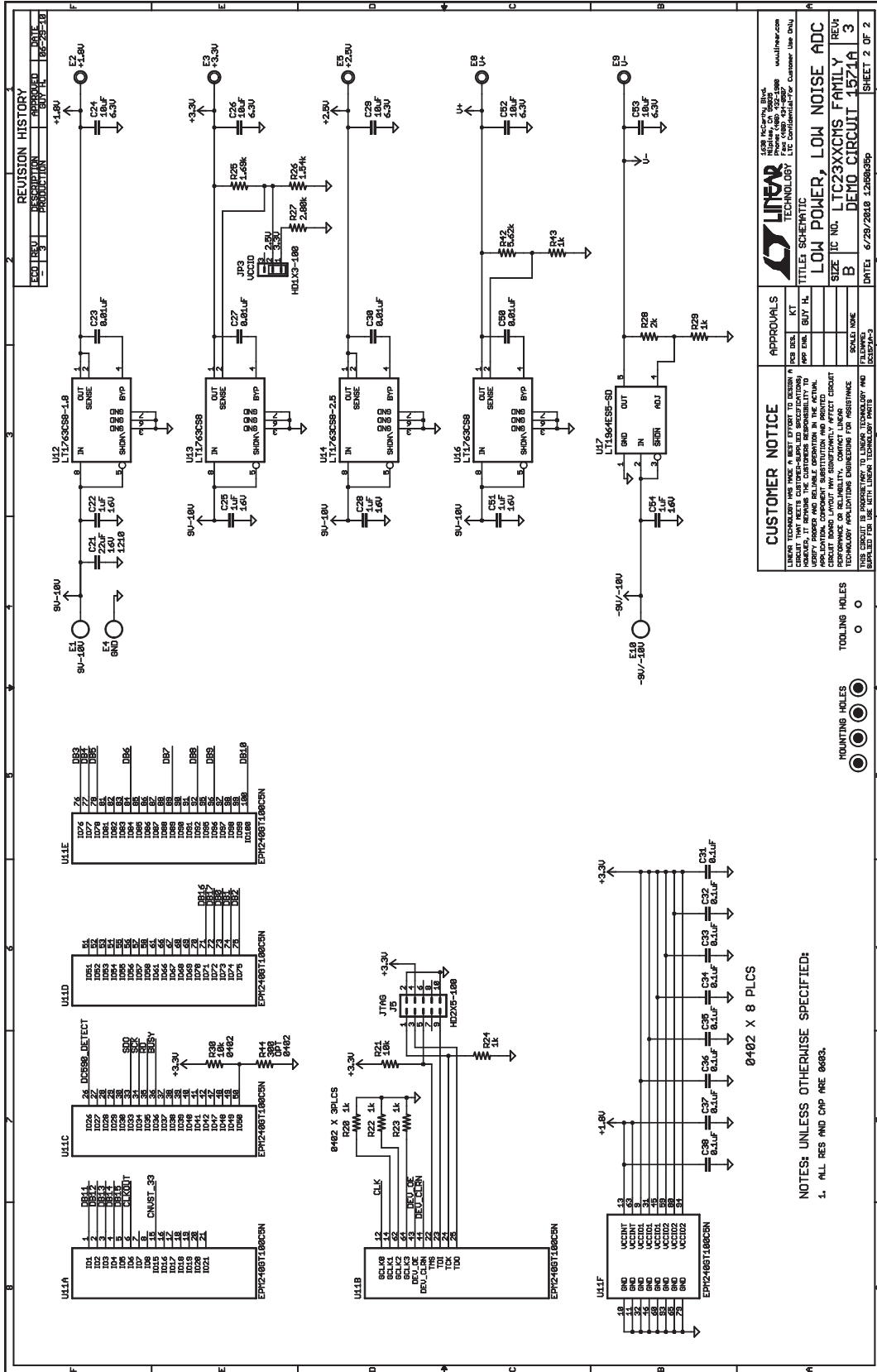
ITEM	QTY	REFERENCE-DESCRIPTION	PART DESCRIPTION	MANUFACTURER/PART NUMBER
1	1	DC1571A-3	GENERAL BOM	
2	1	U1	IC, LTC2381CMS-16, MS16	LINEAR TECH., LTC2381CMS-16

SCHEMATIC DIAGRAM



6/29/2010 12:50:53p C:\KimiT-EAGLE\PROJECTS\DC1571A-3.sch (Sheet: 1/2)

SCHEMATIC DIAGRAM



6/29/2010 12:50:53p C:\KimT-EAGLE\PROJECTS\DC1571A-3 Released\DC1571A-3.sch (Sheet: 2/2)

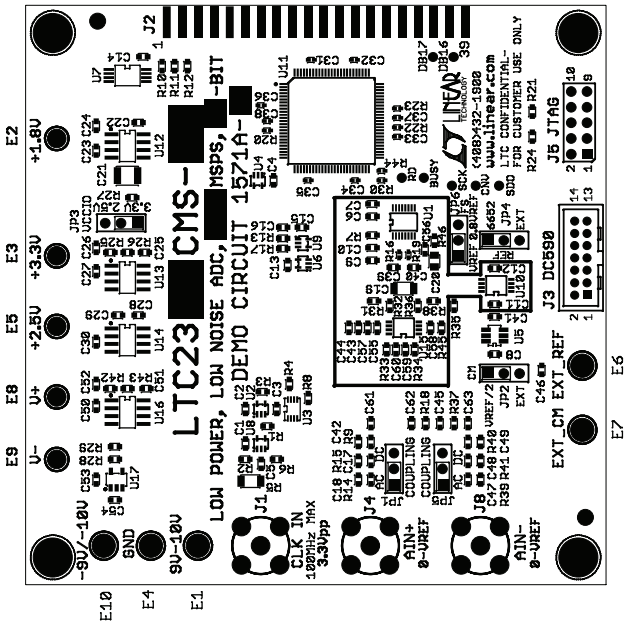
ASSEMBLY DRAWING

REVISION HISTORY			
ECO	REV	DESCRIPTION	DATE
-	3	3rd PROTOTYPE	03-19-10


NOTES: UNLESS OTHERWISE SPECIFIED

1. WORKMANSHIP SHALL BE IN ACCORDANCE WITH IPC-A-610.
2. INSTALL SHUNTS ON JUMPERS AS SHOWN.
3. PARTS TO OMIT WILL BE SPECIFIED ON THE BILL OF MATERIALS. MASK THE SOLDER STENCIL WHERE SMT PARTS ARE OMITTED.
4. DEPANELIZE BOARDS AFTER ASSEMBLY AND ROUTE-OUT THE BREAKOUT TABS ON 4 SIDES OF THE BOARD EDGE.
5. ASSY PROCESS SHALL INCLUDE REFLOW SOLDER TOP SIDE SMD.
6. INSTALL 4 STANDOFFS AT 4 CORNERS FROM THE BOTTOM SIDE. DO NOT APPLY ANY KIND OF ASSEMBLY STAMP OR QA STAMP ON ANY BOARD.
7. MARK LTC PART NUMBER AND ASSY VERSION (SEE TABLE) WITH BLACK PERMANENT MARKER, APPROX. WHERE SHOWN.

ASSY	U1	MSPS	BIT
-A	LT2383CMS-16	1	1.6
-B	LT2382CMS-16	0.5	1.6
-C	LT2381CMS-16	0.25	1.6



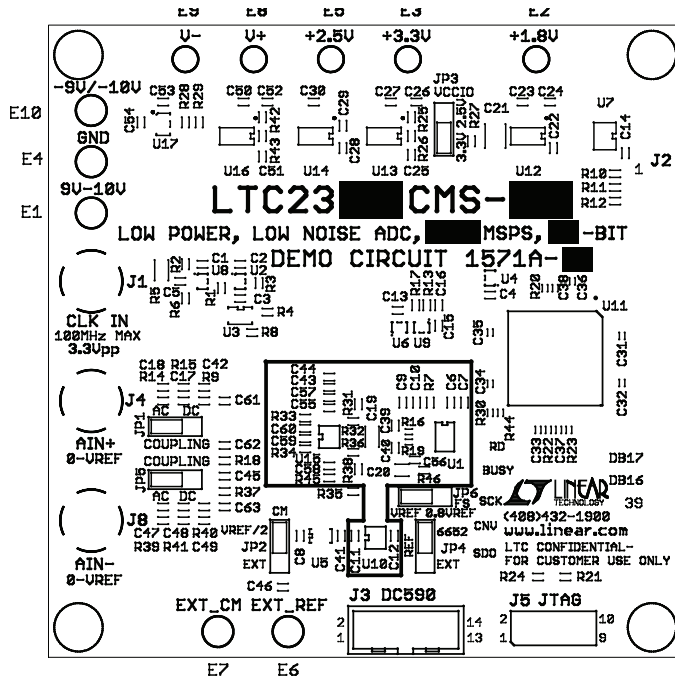
TOP SCREEN

APPROVALS		 1630 MCROSBY BLVD MILPITAS, CA 95030 TEL: 408-737-1600 FAX: 408-737-1600 WWW.LINEAR.COM "ALL INFORMATION IS CONFIDENTIAL" FOR CUSTOMER USE ONLY
PCB DES.	KT	
APP ENG.	GUY H.	
TITLE: ASSY DWG LOW POWER, LOW NOISE ADC		REV. 3
SIZE IC NO. LTC23XXCMS FAMILY N/A DEMO CIRCUIT 1571A		SCALE: NONE FILENAME: DC1571A-3
3/19/2010 11:41:46a		SHEET 1 OF 1

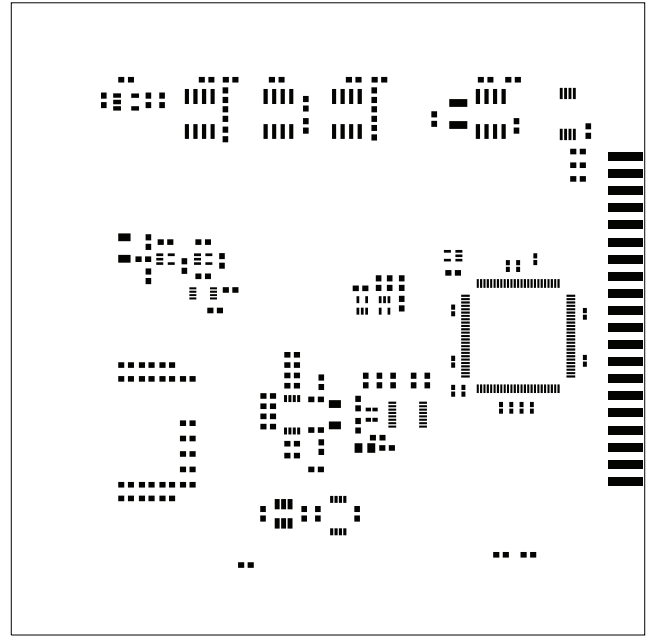
DEMO MANUAL DC1571A

PCB LAYOUT AND FILM

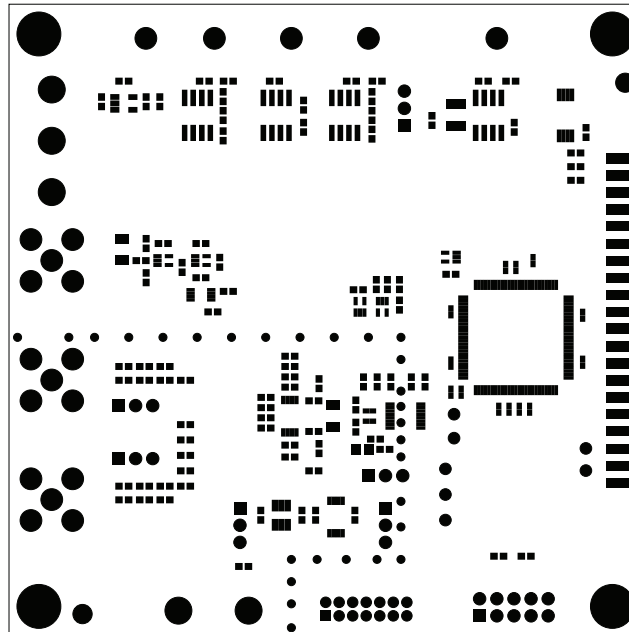
Top Silkscreen



Top Paste

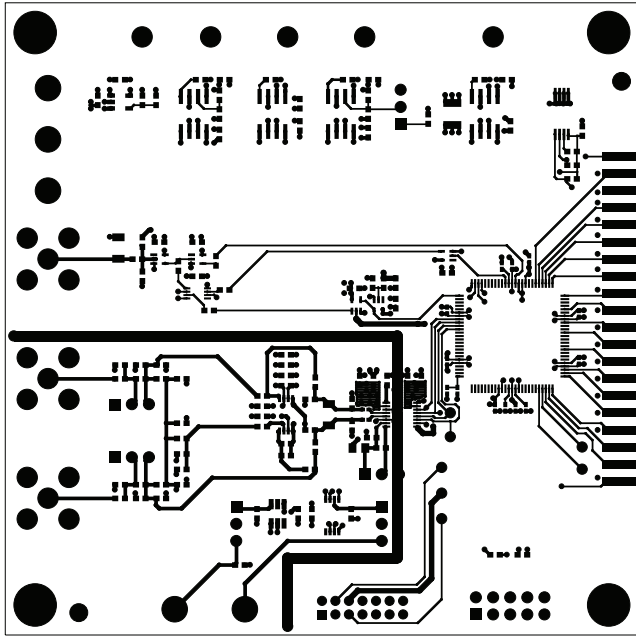


Top Mask

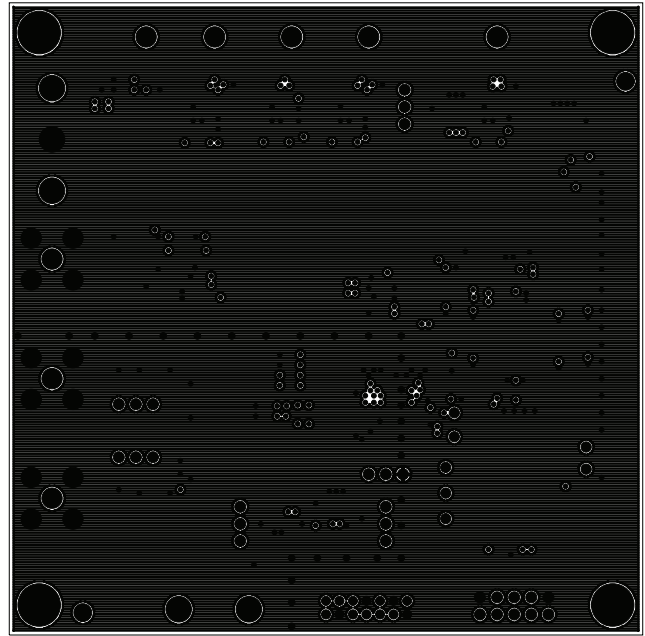


PCB LAYOUT AND FILM

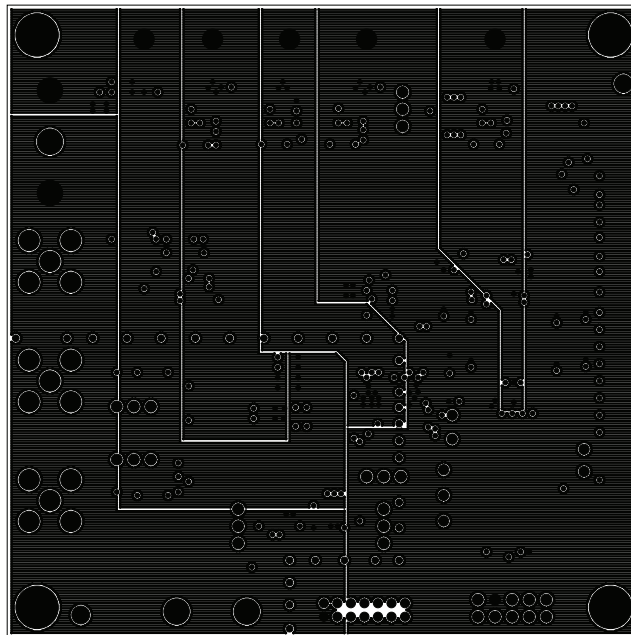
Layer 1-Top Layer



Layer 2-GND Plane

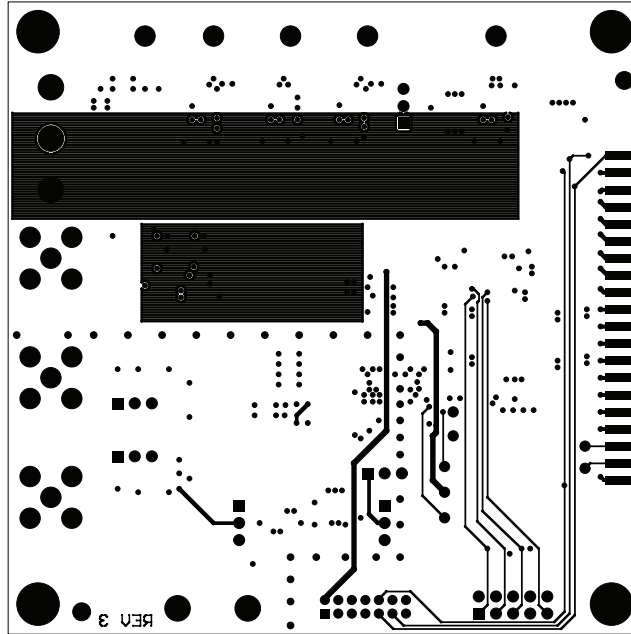


Layer 3-PWR Plane

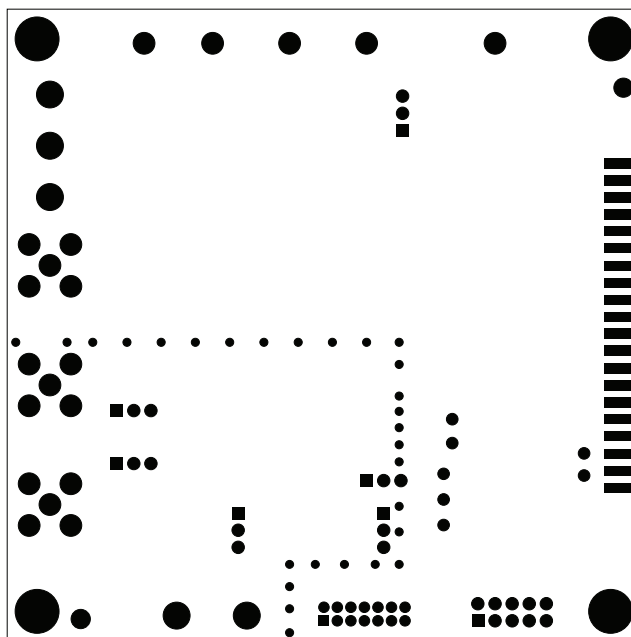


PCB LAYOUT AND FILM

Layer 4-Bottom Layer



Bottom Mask

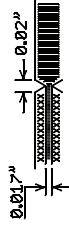


FAB DRAWING

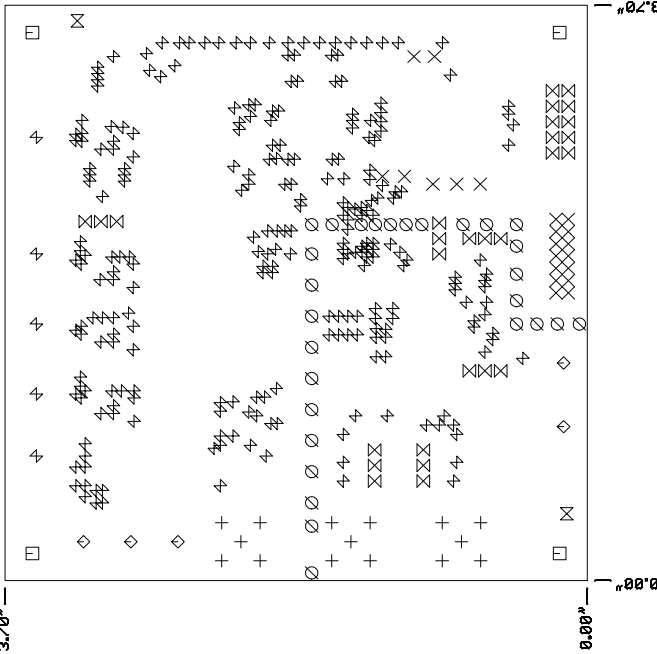
REVISION HISTORY				
EGD	REV	DESCRIPTION	APPROVED	DATE
-	3	3rd PROTOTYPE	GUY H.	03-19-10

NOTES: UNLESS OTHERWISE SPECIFIED

1. FAB PER IPC-A-600.
2. MATERIAL: EPOXY FIBERGLASS, NEMA GRADE FR-4 FINISHED THICKNESS TO BE 0.062" +/-0.005" 4-LAYER BOARD, 2 OZ. CU ON OUTER LAYERS, 1 OZ. CU ON INNER LAYERS, FLAMMABILITY RATING: 94 V-2 MINIMUM.
3. SIZE: CUT TO DIMENSIONS AND TOLERANCES SHOWN. 0.000" ARE PRIMARY DATUMS.
4. FINISH: SMOBC USING LPI BOTH SIDES, COLOR GREEN. GOLD IMERSION, LEAD FREE SOLDER CAN BE USED FOR PROTOTYPE BOARDS. SILKSCREEN: WHITE NON-CONDUCTIVE EPOXY INK.
5. DRILL: PLATE THRU ALL HOLES WITH COPPER, 0.001" THICK MIN. ALL HOLES SHALL BE DRILLED +/-0.003" WITH RESPECT TO CTR. OF DRILLED PAD. ALL HOLES FINISHED SIZE AFTER PLATING.
6. DROP ALL UNUSED PADS ON INNER LAYERS.
7. DO NOT ALTER ARTWORK e.g. TO ADD LOGO OR DATE CODE. PAD SIZE CAN BE MODIFIED TO MEET END FINISH.
8. PCBs ARE TO BE RoHS COMPLIANT.
9. SCORING FOR PANELIZED PCB:



DRILL TABLE				
SYM	SIZE	TOL.	QTY	PLATED
□	0.188 in	+/-0.003 in	4	YES
⊙	0.094 in	+/-0.003 in	2	YES
⊗	0.070 in	+/-0.003 in	2	NO
⊕	0.064 in	+/-0.003 in	3	YES
⊖	0.055 in	+/-0.003 in	10	YES
⊗	0.040 in	+/-0.003 in	23	YES
⊗	0.035 in	+/-0.003 in	46	YES
⊕	0.012 in	+/-0.003 in	176	YES



APPROVALS		 1630 NECARTHY BLVD HILLIARD, OH 44826 TEL: 419-931-8900 FAX: 419-931-8907 LITE CONFIDENTIAL-FOR CUSTOMER USE ONLY
PCB DES.	KT	
APP ENG.	GUY H.	
TITLE: FAB DWG		REV. 3
LOW POWER, LOW NOISE ADC		REV. 3
SIZE IC NO. LTC23XXCMS FAMILY		REV. 3
N/A DEMO CIRCUIT 1571A		REV. 3
SCALE: NONE FILENAME: DC1571A-3		SHEET 1 OF 1
3/19/2010 11:34:54a		

DEMO MANUAL DC1571A

DEMONSTRATION BOARD IMPORTANT NOTICE

Linear Technology Corporation (LTC) provides the enclosed product(s) under the following **AS IS** conditions:

This demonstration board (DEMO BOARD) kit being sold or provided by Linear Technology is intended for use for **ENGINEERING DEVELOPMENT OR EVALUATION PURPOSES ONLY** and is not provided by LTC for commercial use. As such, the DEMO BOARD herein may not be complete in terms of required design-, marketing-, and/or manufacturing-related protective considerations, including but not limited to product safety measures typically found in finished commercial goods. As a prototype, this product does not fall within the scope of the European Union directive on electromagnetic compatibility and therefore may or may not meet the technical requirements of the directive, or other regulations.

If this evaluation kit does not meet the specifications recited in the DEMO BOARD manual the kit may be returned within 30 days from the date of delivery for a full refund. **THE FOREGOING WARRANTY IS THE EXCLUSIVE WARRANTY MADE BY THE SELLER TO BUYER AND IS IN LIEU OF ALL OTHER WARRANTIES, EXPRESSED, IMPLIED, OR STATUTORY, INCLUDING ANY WARRANTY OF MERCHANTABILITY OR FITNESS FOR ANY PARTICULAR PURPOSE. EXCEPT TO THE EXTENT OF THIS INDEMNITY, NEITHER PARTY SHALL BE LIABLE TO THE OTHER FOR ANY INDIRECT, SPECIAL, INCIDENTAL, OR CONSEQUENTIAL DAMAGES.**

The user assumes all responsibility and liability for proper and safe handling of the goods. Further, the user releases LTC from all claims arising from the handling or use of the goods. Due to the open construction of the product, it is the user's responsibility to take any and all appropriate precautions with regard to electrostatic discharge. Also be aware that the products herein may not be regulatory compliant or agency certified (FCC, UL, CE, etc.).

No License is granted under any patent right or other intellectual property whatsoever. **LTC assumes no liability for applications assistance, customer product design, software performance, or infringement of patents or any other intellectual property rights of any kind.**

LTC currently services a variety of customers for products around the world, and therefore this transaction **is not exclusive**.

Please read the DEMO BOARD manual prior to handling the product. Persons handling this product must have electronics training and observe good laboratory practice standards. **Common sense is encouraged.**

This notice contains important safety information about temperatures and voltages. For further safety concerns, please contact a LTC application engineer.

Mailing Address:

Linear Technology
1630 McCarthy Blvd.
Milpitas, CA 95035

Copyright © 2004, Linear Technology Corporation