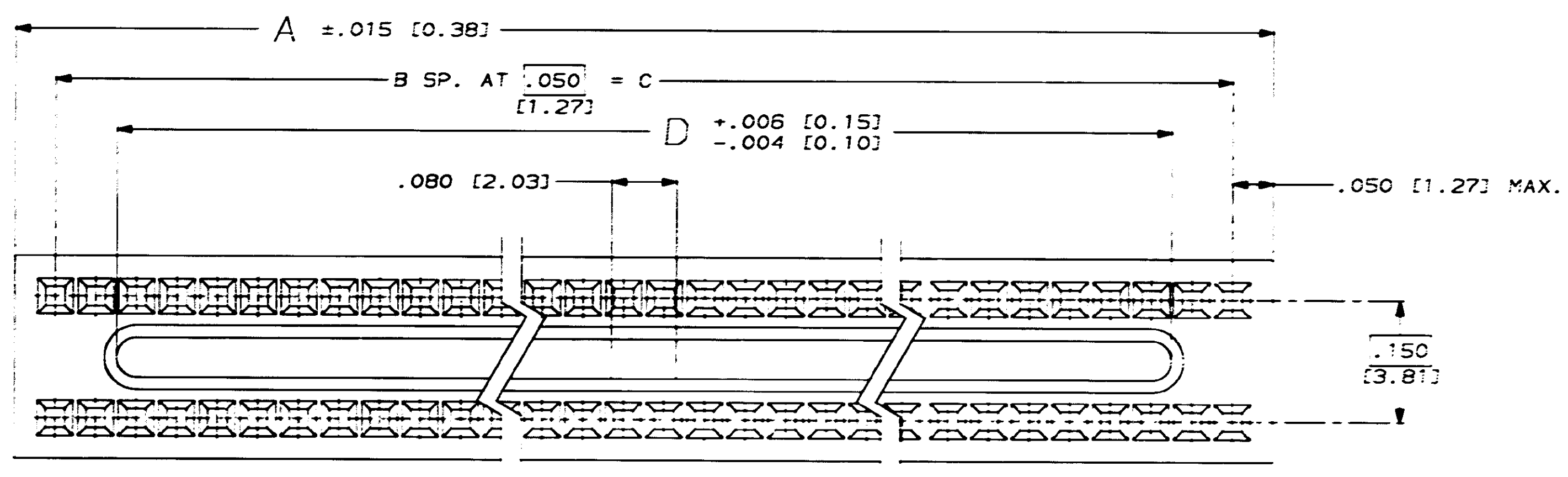
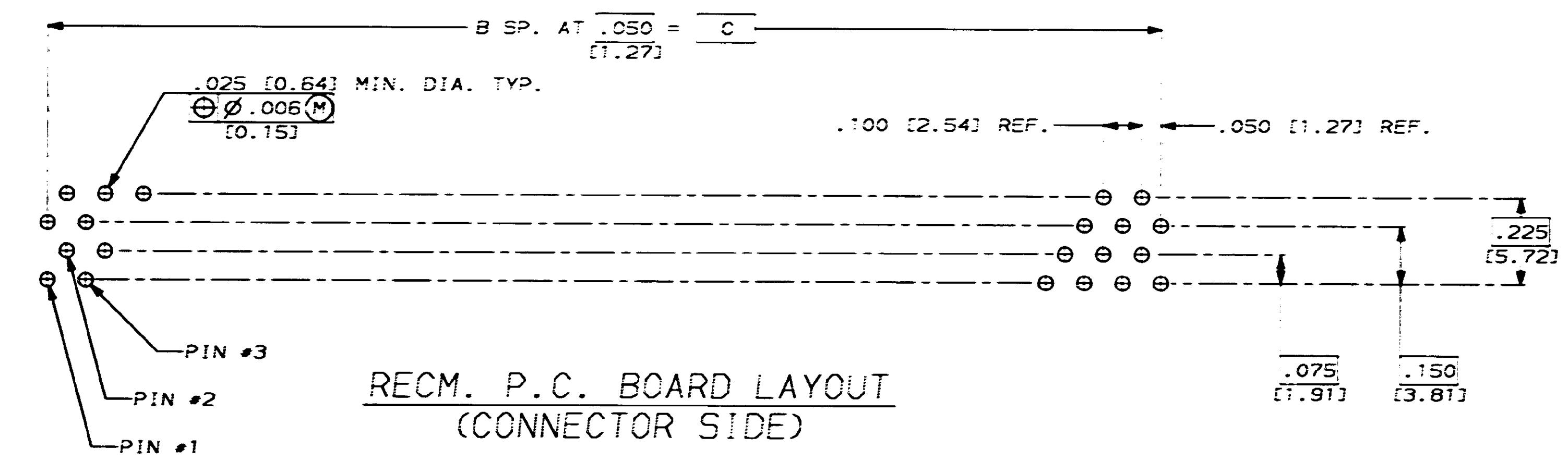
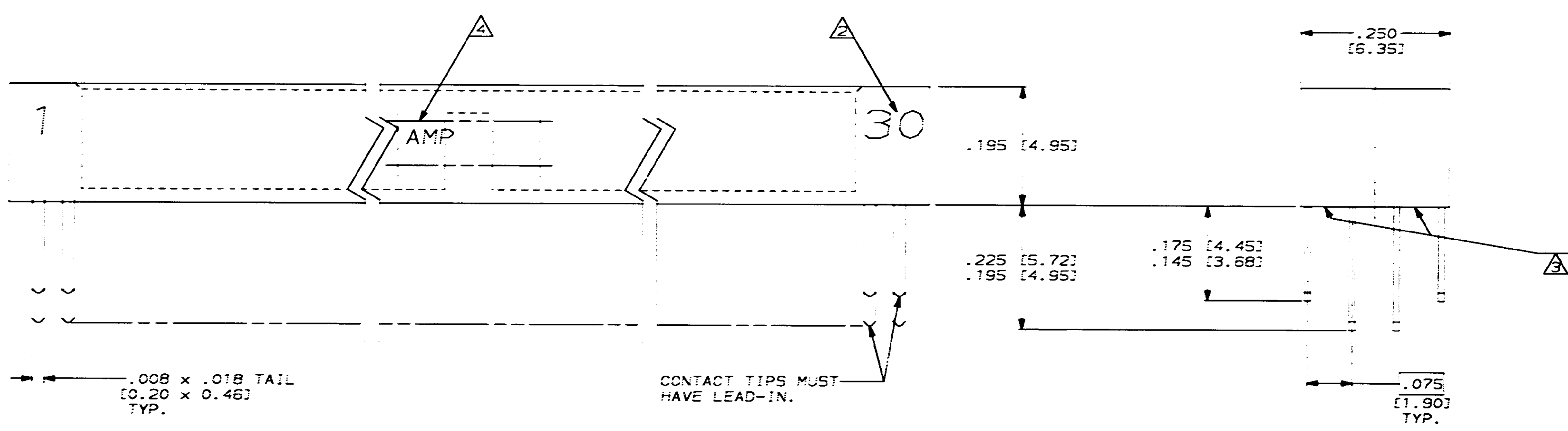


PROD		LOC		DIST		REV		REVISIONS	
5327	DF	FO	P	F	ZONE	LTR	DESCRIPTION	DATE	APPD
✓							O RISE PER W/O 0-159F & NPR 90-0335	11-29-90	WDL
✓							A REVISED PER EC DF-5331 TA	2-7-92	DG
✓							B REV PER 0600-0324-93 TA	6-24-93	DG
✓							C REV PER 0600-0297-93 TA	12-21-93	DG



- RECEPTACLE MEETS ALL APPLICABLE REQUIREMENTS OF MIL-C-55302.
- NUMBERS INDICATING END POSITIONS, MARKED THIS SIDE ONLY.
- EPOXY IS ADDED TO BOTTOM OF HOUSING FOR CONTACT RETENTION ONLY, "AMP", P/N & DATE CODE, & CUSTOMER P/N, (SEE TABLE) MARKED IN THIS APPROXIMATE AREA.
- HOUSING MATERIAL: LIQUID CRYSTAL POLYMER PER MIL-M-24519, GLCP-30F; COLOR: GRAY.



RECM. P.C. BOARD LAYOUT  
(CONNECTOR SIDE)

CUSTOMER P/N	CAVITY IDENT.	D	C	B	A	POSN.	PART NO.
7180275-1	1/50	2.300 [58.42]	2.450 [62.23]	49	2.535 [64.39]	100	447378-2
7180277-1	1/30	1.300 [33.02]	1.450 [36.83]	29	1.535 [38.99]	60	447378-1

DO NOT SCALE PRINT. UNLESS SPECIFIED DIMENSIONS IN INCHES (mm)	OR 9-17-90 W. LEUFERT	AMP INCORPORATED Murrysburg, Pa. 17105
TOLERANCES ON:	CHK 10-29-90 D. STONER	
2 PL. DEC ±	APPD 10-29-90 D. STONER	NAME
3 PL. DEC ± .005 [0.13]	APPD 2-7-92 T. ALEXANDER	
ANGLES ±	PRODUCT SPEC	MINI-BOX RECEPTACLE ASSEMBLY, SPECIAL, NO END BLOCKS
MATERIAL	FINISH	SIZE
	.000050 GOLD IN CONTACT AREAS TIN-LEAD ON TAILS	D
	APPLICATION SPEC	CAGE CODE
		00779
	WEIGHT	DRAWING NO.
		447378
		SHEET
		1 of 1