

2

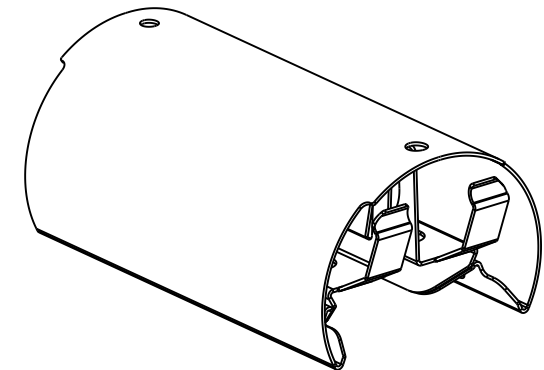
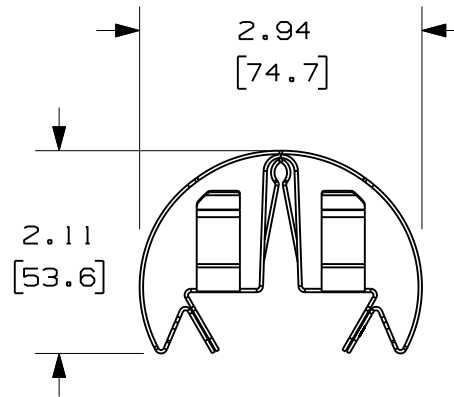
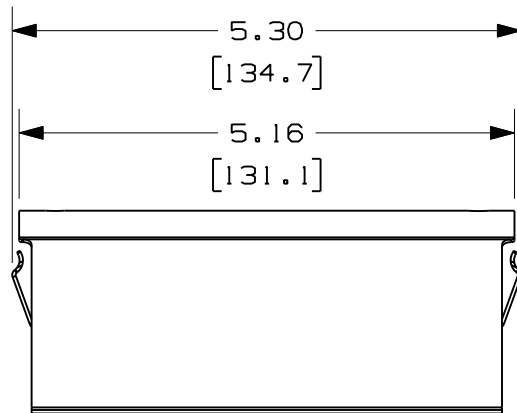
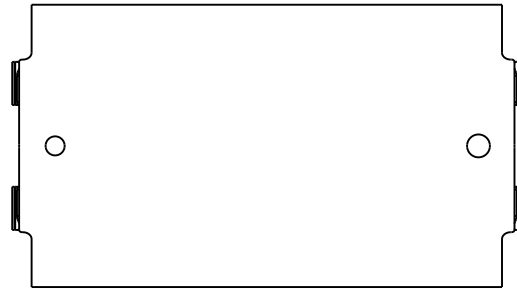
1

THIS COPY IS PROVIDED ON A RESTRICTED BASIS AND IS NOT TO BE USED IN ANY WAY DETRIMENTAL TO THE INTERESTS OF PANDUIT CORP.

PANDUIT PART NUMBER	WEIGHT
WGBTMWF	.57 LB/EACH 258.5 g/EACH

NOTES:

1. SEE CURRENT CATALOG FOR ADDITIONAL PART SUFFIXES TO INDICATE PART FINISH AND/OR PACKAGING QUANTITY.
2. DIMENSIONS IN PARENTHESIS ARE METRIC.



G H

--	-----	---	---	--	I. CHANGED MATERIAL FROM 'SEE NOTES ABOVE' TO 'STEEL'	-----
4	11-20-12	SSP	DWW	RN	H. REMOVED PRIOR NOTE(S) G. UPDATED TITLEBLOCK TO LATEST VERSION	09D017DU-DC

TITLE <b>WYR-GRID CABLE TRAY BOTTOM WATERFALL (WGBTMWF)</b> CUSTOMER DRAWING	
ITEM REVISION NAME 09D017DU/02	<b>PANDUIT</b> <sup>TM</sup>
DATASET FILE NAME 09D017DU_DC/02B WGBTMWF	
UNLESS OTHERWISE SPECIFIED, DIMENSIONAL TOLERANCES ARE: IN (mm)	
.x : .xx : .05 ( 1.3 )	.xxx : ANGLES :
THIRD ANGLE PROJECTION	
DRAWING NUMBER: <b>09D017DU-DC</b>	
DRAWN BY JAHA	DATE 05-05-10
CHK SL	SCALE 1/2
SHT 1 OF 1	
SIZE A	

2

1

D101000A/12