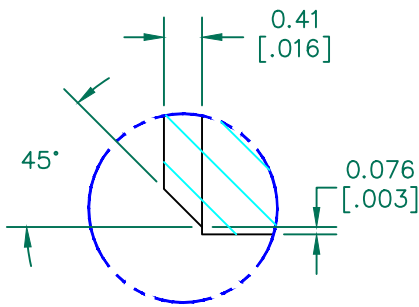
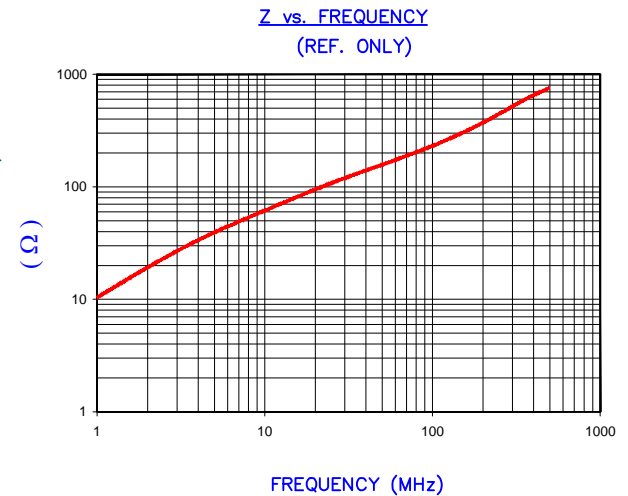


IMPEDANCE (Z)			
Frequency	25 MHz	100 MHz	300 MHz
Nominal (REF)	110 Ω	230 Ω	520 Ω
Minimum	- Ω	184 Ω	- Ω



UNCONTROLLED DOCUMENT

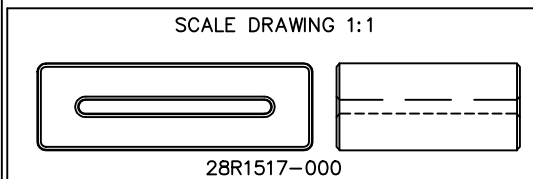
FERRITE CORE DIMENSIONS (SPEC) mm/Inches:

A	38.10 [1.500]	+ 0.76 [.030]
B	26.67 [1.050]	+ 0.76 [.030]
C	25.40 [1.000]	+ 0.76 [.030]
D	12.07 [.475]	+ 0.51 [.020]
E	1.91 [.075]	+ 0.51 [.020]

WEIGHT/1000 51.18 kgs [112.84 Lbs]

NOTES: UNLESS OTHERWISE SPECIFIED

1. COSMETIC SPECIFICATION REFER TO WI-QA-038.



DIMENSIONS ARE IN mm[INCHES].				This print is the property of Laird Tech. and is loaned in confidence subject to return upon request and with the understanding that no copies shall be made without the written consent of Laird Tech. All rights to design or invention are reserved.		Laird	
J	UPDATE COMPANY LOGO	06/19/15	QIU	PROJECT/PART NUMBER:		REV	DRAWN BY:
H	UPDATE MIN Z SPECS & COMPANY LOGO	07/27/07	TMB	28R1517-000		J	DJB
G	UPDATE MIN Z SPEC @100Mhz ADD REF #	02/09/04	JRK	DATE:	03/09/92	SCALE:	2 : 1
F	UPDATE FORMAT, UPDATE Z SPECS	02/26/03	JRK	CAD #	28R1517-000-J	TOOL #	R1517
E	UPDATE PRINT FOR ELECTRONIC DATABASE	01/03/01	JAJ	MATERIAL:		FERRITE	
D	UPDATED Z SPECS	05/07/96	BAC				
C	UPDATED P/N FOR NEW CATALOG	11/09/95	JBE				
REV	DESCRIPTION	DATE	INT				