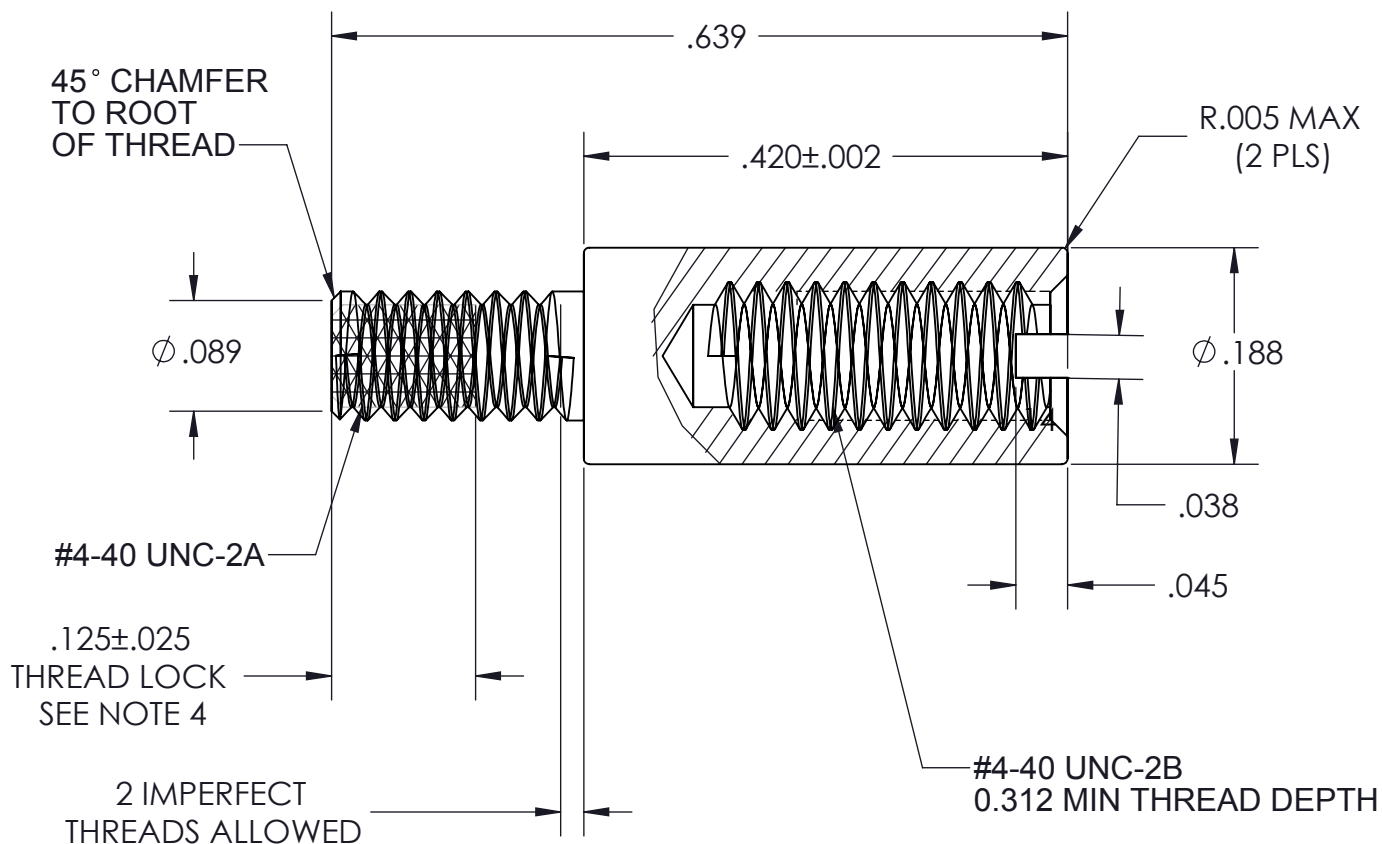


VICOR CONFIDENTIAL

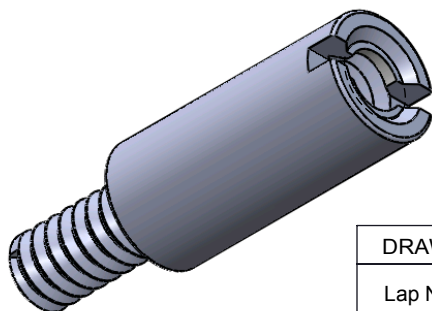
THIS DOCUMENT AND THE DATA DISCLOSED HEREIN OR HEREWITH IS NOT TO BE REPRODUCED, USED OR DISCLOSED IN WHOLE OR IN PART TO ANYONE WITHOUT THE PERMISSION OF VICOR CORP.


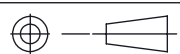
REV.	DESCRIPTION	DATE	APPROVED
1	RELEASE PER E9830074	11/13/98	JMR
2	REVISED PER E0030403	12/15/00	JMR
3	REVISED PER E100944	07/22/10	DCS
4	REVISED PER E120756	08/20/12	REJH



NOTES:

1. MATERIAL: 300 SERIES STAINLESS STEEL PER AISI.
2. FINISH: CLEAR PASSIVATE PER QQ-P-35B, TYPE II.
3. REMOVE ALL BURRS AND SHARP EDGES.
4. MACHINE APPLY LOCTITE DRI-LOC 204 OR EQUIVALENT TO THREADS AS SHOWN.
5. KIT P/N 18159
6. BAG P/N 19135
7. DIMENSIONS ARE INCHES ONLY.



DRAWN BY	DATE	 VICOR		SWD
Lap Nguyen	11/24/1997	STANDOFF, .420 LG MALE-FEMALE		
UNLESS OTHERWISE SPECIFIED DIMENSIONS ARE : INCH / [MM]		SIZE	CAGE CODE	DWG NO
TOLERANCES ARE: DECIMALS X.XX [X.X] = ±0.01 [0.25] ANGLES ±1° X.XXX [X.XX] = ±0.005 [0.127]		A	67131	18122
THIRD ANGLE PROJECTION 		SCALE 6:1		REV 4
DO NOT SCALE DRAWING				SHEET 1 OF 1