



Features

- RoHS compliant*
- Protects 1 or 2 lines
- Unidirectional & bidirectional configurations
- ESD protection 30 kV max.

Applications

- RS-232, RS-422 & RS-423 data lines
- Portable electronics
- Wireless bus protection
- Control & monitoring systems

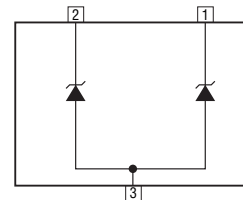
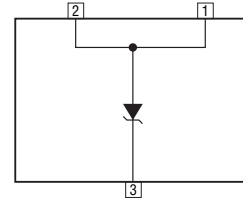
CDSOT23-T03~T36C — TVS Diode Array Series

General Information

The markets of portable communications, computing and video equipment are challenging the semiconductor industry to develop increasingly smaller electronic components.

Bourns offers Transient Voltage Suppressor Array diodes for surge and ESD protection applications, in compact chip package SOT23 size format. The Transient Voltage Suppressor Array series offers a choice of voltage types ranging from 3 V to 36 V. Bourns® Chip Diodes conform to JEDEC standards, are easy to handle on standard pick and place equipment and their flat configuration minimizes roll away.

The Bourns device will meet IEC 61000-4-2 (ESD), IEC 61000-4-4 (EFT) and IEC 61000-4-5 (Surge) requirements.



Thermal Characteristics (@ T_A = 25 °C Unless Otherwise Noted)

| Parameter | Symbol | Value | Unit |
|-----------------------|------------------|-------------|------|
| Operating Temperature | T _J | -55 to +150 | °C |
| Storage Temperature | T _{STG} | -55 to +150 | °C |

Electrical Characteristics (@ T_A = 25 °C Unless Otherwise Noted)

| Parameter | Symbol | CDSOT23- | | | | | | | | | | | | | | Unit | |
|---|--------------------|---------------|------|---------------|------|---------------|------|---------------|------|---------------|------|---------------|------|--------------|------|-------------------------|----|
| | | Uni- | Bi- | Uni- | Bi- | Uni- | Bi- | Uni- | Bi- | Uni- | Bi- | Uni- | Bi- | Uni- | Bi- | | |
| | | T03 | T03C | T05 | T05C | T08 | T08C | T12 | T12C | T15 | T15C | T24 | T24C | T36 | T36C | | |
| Breakdown Voltage @ 1 mA | V _{BR} | 4.0 | | 6.0 | | 8.5 | | 13.3 | | 16.7 | | 26.7 | | 40.0 | | V | |
| Working Peak Voltage | V _{WM} | 3.3 | | 5.0 | | 8.0 | | 12.0 | | 15.0 | | 24.0 | | 36.0 | | V | |
| Maximum Clamping Voltage V _C @ I _p = 1 A ¹ | V _F | 7.0 | | 9.8 | | 13.4 | | 19.0 | | 24.0 | | 43.0 | | 51.0 | | V | |
| Maximum Clamping Voltage @ 8/20 μs V _C @ I _{pp} ¹ | V _F | 10.9 V @ 43 A | | 13.5 V @ 42 A | | 16.9 V @ 34 A | | 25.9 V @ 21 A | | 30.0 V @ 17 A | | 49.0 V @ 12 A | | 76.8 V @ 9 A | | V | |
| Maximum Leakage Current @ V _{WM} | I _D | 125 | | 20 | | 10 | | 2 | | 1 | | 1 | | 1 | | μA | |
| Typical Cap Unidirectional @ 0 V, 1 MHz | C _{j(SD)} | 500 | | 350 | | 250 | | 150 | | 100 | | 88 | | 80 | | pF | |
| Typical Cap Bidirectional @ 0 V, 1 MHz | C _{j(SD)} | 300 | | 210 | | 150 | | 90 | | 60 | | 63 | | 60 | | pF | |
| ESD Protection: IEC 61000-4-2 Contact - Min. Contact - Max. Air - Min. Air - Max. | ESD | | | | | | | | | | | | | | | ±8 ±30 ±15 ±30 | kV |
| Peak Pulse Power (tp = 8/20 μs) ² | P _{PP} | | | | | | | | | | | | | | | 500 | W |
| Forward Voltage @ 100 mA, 300 μs – Square Wave ³ | V _F | | | | | | | | | | | | | | | 1.5 | V |

Notes:

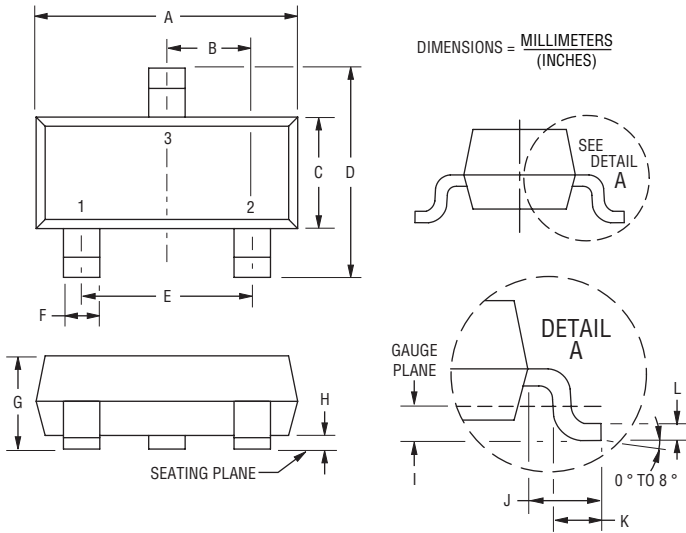
1. See Pulse Wave Form.
2. See Peak Pulse Power vs. Pulse Time.
3. Only applies to unidirectional devices.
4. Part numbers with a "C" suffix are bidirectional devices, i.e., CDSOT23-T03C.

CDSOT23-T03~T36C — TVS Diode Array Series



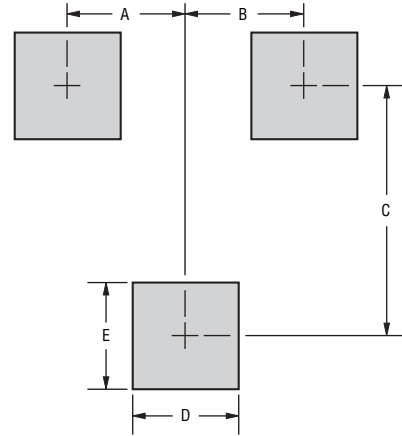
Product Dimensions

This is a molded JEDEC SOT-23 package with lead free 100 % Sn plating on the lead frame. It weighs approximately 0.6 g and has a flammability rating of UL 94V-0.



| Dimensions | |
|------------|--|
| A | $\frac{2.80 - 3.00}{(0.110 - 0.118)}$ |
| B | $\frac{0.95}{(0.037)}$ BSC |
| C | $\frac{1.20 - 1.40}{(0.047 - 0.055)}$ |
| D | $\frac{2.10 - 2.49}{(0.083 - 0.098)}$ |
| E | $\frac{1.90}{(0.075)}$ BSC |
| F | $\frac{0.30 - 0.50}{(0.012 - 0.019)}$ |
| G | $\frac{0.89 - 1.17}{(0.035 - 0.046)}$ |
| H | $\frac{0.05 - 0.015}{(0.002 - 0.006)}$ |
| I | $\frac{0.25}{(0.010)}$ BSC |
| J | $\frac{0.46 - 0.64}{(0.018 - 0.025)}$ |
| K | $\frac{0.40 - 0.58}{(0.016 - 0.023)}$ |
| L | $\frac{0.08 - 0.20}{(0.003 - 0.008)}$ |

Recommended Footprint



DIMENSIONS = $\frac{\text{MILLIMETERS}}{\text{(INCHES)}}$

| Dimensions | |
|------------|------------------------|
| A | $\frac{0.95}{(0.037)}$ |
| B | $\frac{0.95}{(0.037)}$ |
| C | $\frac{2.00}{(0.079)}$ |
| D | $\frac{0.85}{(0.033)}$ |
| E | $\frac{0.85}{(0.033)}$ |

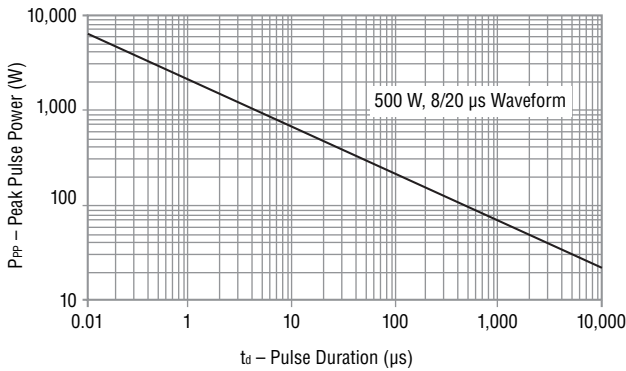
How To Order

CD S0T23 - T 03 C

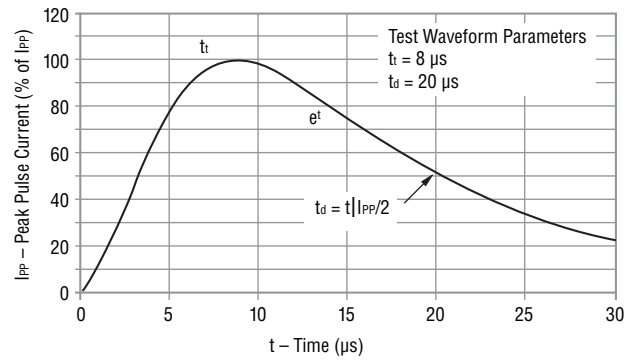
Common Code _____
 Chip Diode _____
 Package _____
 • S0T23 = S0T23 Package
 Model _____
 T = Transient Voltage Suppressor
 Working Peak Voltage _____
 3 = 3 V_{RWM} (Volts)
 Suffix _____
 C = Bidirectional Diode

Performance Graphs

Peak Pulse Power vs Pulse Time



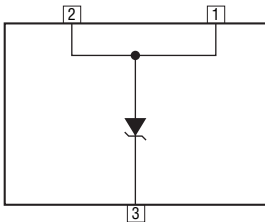
Pulse Wave Form



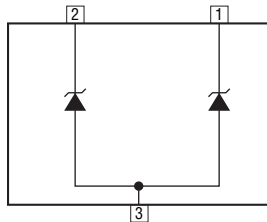
Block Diagram

The device block diagrams below include the pin names and basic electrical connections associated with each channel.

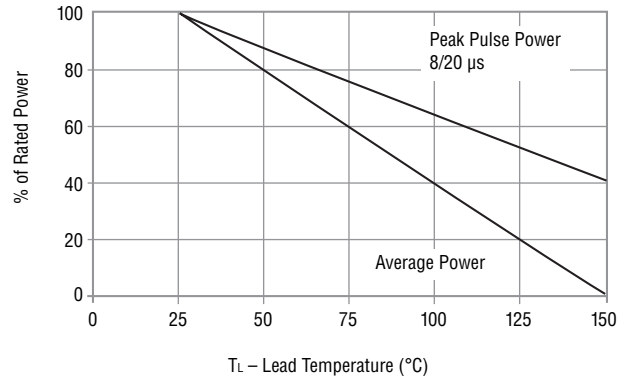
Unidirectional



Bidirectional



Power Derating Curve



Typical Part Marking

| Part Number | Top Side Mark |
|-------------------|---------------|
| CDSOT23-T03 | 03 |
| CDSOT23-T03C..... | 03C |
| CDSOT23-T05 | 05 |
| CDSOT23-T05C..... | 05C |
| CDSOT23-T08 | 08 |
| CDSOT23-T08C..... | 08C |
| CDSOT23-T12 | 12 |
| CDSOT23-T12C..... | 12C |
| CDSOT23-T15 | 15 |
| CDSOT23-T15C..... | 15C |
| CDSOT23-T24 | 24 |
| CDSOT23-T24C..... | 24C |
| CDSOT23-T36 | 36 |
| CDSOT23-T36C..... | 36C |

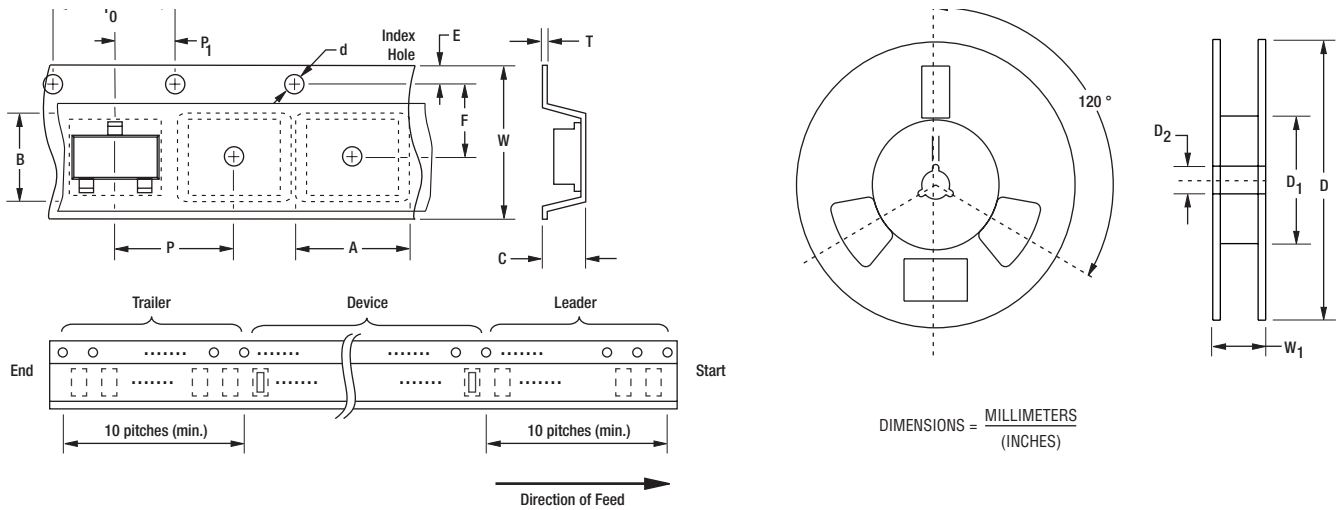
Specifications are subject to change without notice.
Customers should verify actual device performance in their specific applications.

CDSOT23-T03~T36C — TVS Diode Array Series

BOURNS®

Packaging

The surface mount product is packaged in a 12 mm x 8 mm Tape and Reel format per EIA-481 standard.



| Item | Symbol | SOT23 |
|------------------------|----------------|---|
| Carrier Width | A | $\frac{2.25 \pm 0.10}{(0.088 \pm 0.004)}$ |
| Carrier Length | B | $\frac{2.34 \pm 0.10}{(0.092 \pm 0.004)}$ |
| Carrier Depth | C | $\frac{1.22 \pm 0.10}{(0.048 \pm 0.004)}$ |
| Sprocket Hole | d | $\frac{1.55 \pm 0.05}{(0.061 \pm 0.002)}$ |
| Reel Outside Diameter | D | $\frac{178}{(7.008)}$ |
| Reel Inner Diameter | D ₁ | $\frac{50.0}{(1.969)}$ Min. |
| Feed Hole Diameter | D ₂ | $\frac{13.0 \pm 0.20}{(0.512 \pm 0.008)}$ |
| Sprocket Hole Position | E | $\frac{1.75 \pm 0.10}{(0.069 \pm 0.004)}$ |
| Punch Hole Position | F | $\frac{3.50 \pm 0.05}{(0.138 \pm 0.002)}$ |
| Punch Hole Pitch | P | $\frac{4.00 \pm 0.10}{(0.157 \pm 0.004)}$ |
| Sprocket Hole Pitch | P ₀ | $\frac{4.00 \pm 0.10}{(0.157 \pm 0.004)}$ |
| Embossment Center | P ₁ | $\frac{2.00 \pm 0.05}{(0.079 \pm 0.002)}$ |
| Overall Tape Thickness | T | $\frac{0.20 \pm 0.10}{(0.008 \pm 0.004)}$ |
| Tape Width | W | $\frac{8.00 \pm 0.20}{(0.315 \pm 0.008)}$ |
| Reel Width | W ₁ | $\frac{14.4}{(0.567)}$ Max. |
| Quantity per Reel | — | 3,000 |

BOURNS®

Asia-Pacific:

Tel: +886-2 2562-4117 • Fax: +886-2 2562-4116

EMEA:

Tel: +41-41 768 5555 • Fax: +41-41 768 5510

The Americas:

Tel: +1-951 781-5500 • Fax: +1-951 781-5700

www.bourns.com

REV. 01/14

Specifications are subject to change without notice. Customers should verify actual device performance in their specific applications.