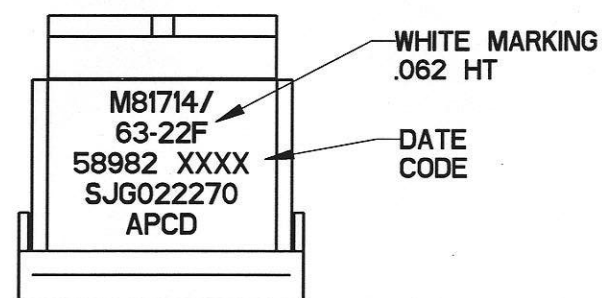
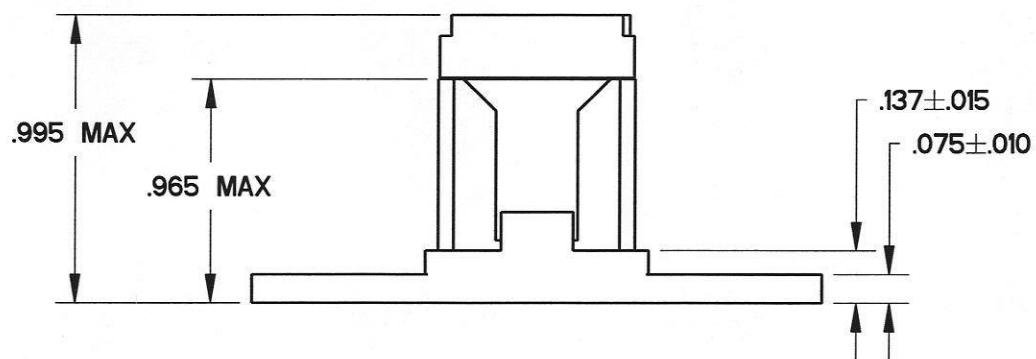
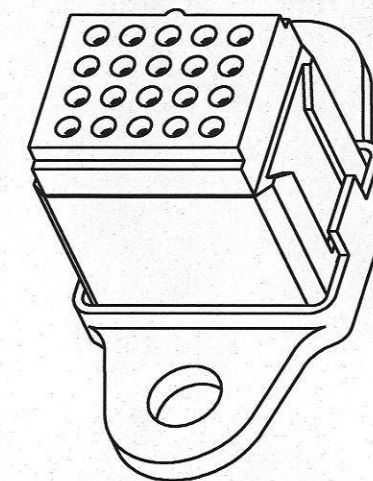
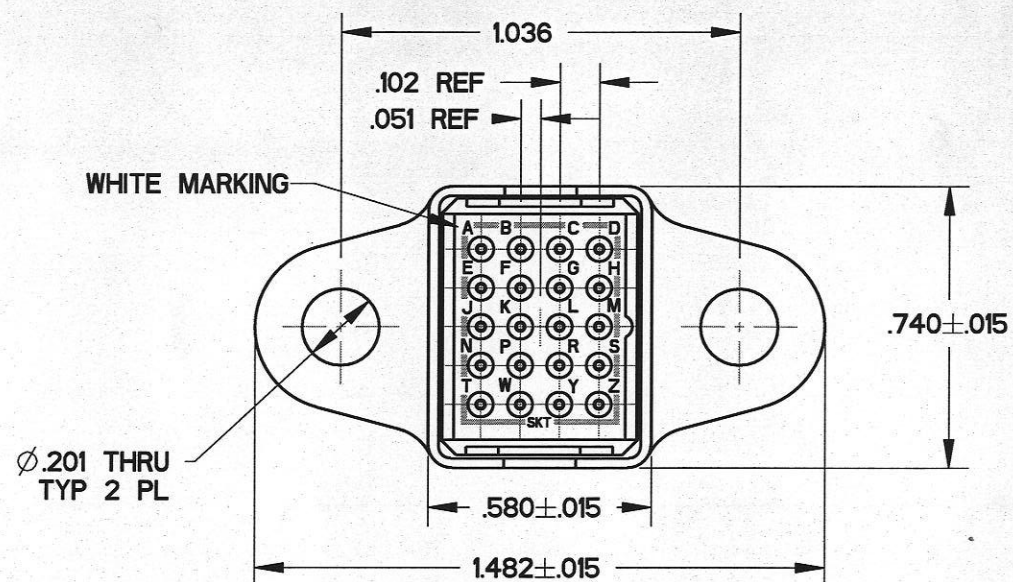


REV	ECN	APP'D
D	6024	JT 4-12-07



NOTES:

- MATERIALS:  
 BODY: POLYETHERIMIDE PER ASTM-D5205.  
 GROMMET: SILICONE BLEND ELASTOMER PER A-A-59588.  
 CONTACT RETAINERS: STAINLESS STEEL.  
 SHELL/STUD: COPPER ALLOY, GOLD PLATE PER SAE-AMS-2422  
 MOUNTING HARDWARE: (SUPPLIED SEPARATELY)  
 STEEL, CADMIUM FINISH PER SAE-AMS-QQ-P-416
- PERFORMANCE SPECIFICATIONS:  
 MEETS ALL PERFORMANCE REQUIREMENTS OF MIL-T-81714.
- MODULE ACCEPTS M39029/22-191 CONTACTS AND MS27488-22-1 SEALING PLUGS. SEE TABLE
- ANTI ROTATION TAB SHALL ENTER INTO MOUNTING HOLE.

APCD P/N	SUPPLIED		MARKING
	SKTS	PLUGS	APCD PART NO.
SJG022270	21	2	SJG022270
SJG022271	-	-	

<b>DIMENSIONS</b> ANSI Y14.5M UNITS: INCHES Pro/E FILE	<b>TOLERANCES</b> .XX ±0.01 .XXX ±0.005 ANGLES ±2.0°	<b>PROJECTION</b> 	<b>Amphenol Pcd</b> SPECIFICATION DRAWING		<b>TITLE</b> SJG, SIZE 22, FLANGE GROUNDING MODULE GOLD PLATED		
			DRWN R. SWAINE 4/11/07	ENGR 4/11/07	SIZE <b>B</b>	DWG NO. <b>SJG022270</b>	REV <b>D</b>
ORIGINAL 	THIS DOCUMENT CONTAINS PROPRIETARY INFORMATION WHICH IS THE CONFIDENTIAL PROPERTY OF AMPHENOL PCD INC., PEABODY, MA			APPD 4-12-07	CODE: 58982	SCALE: 2:1	SHEET 1 OF 1

SJG022270

SJG022270