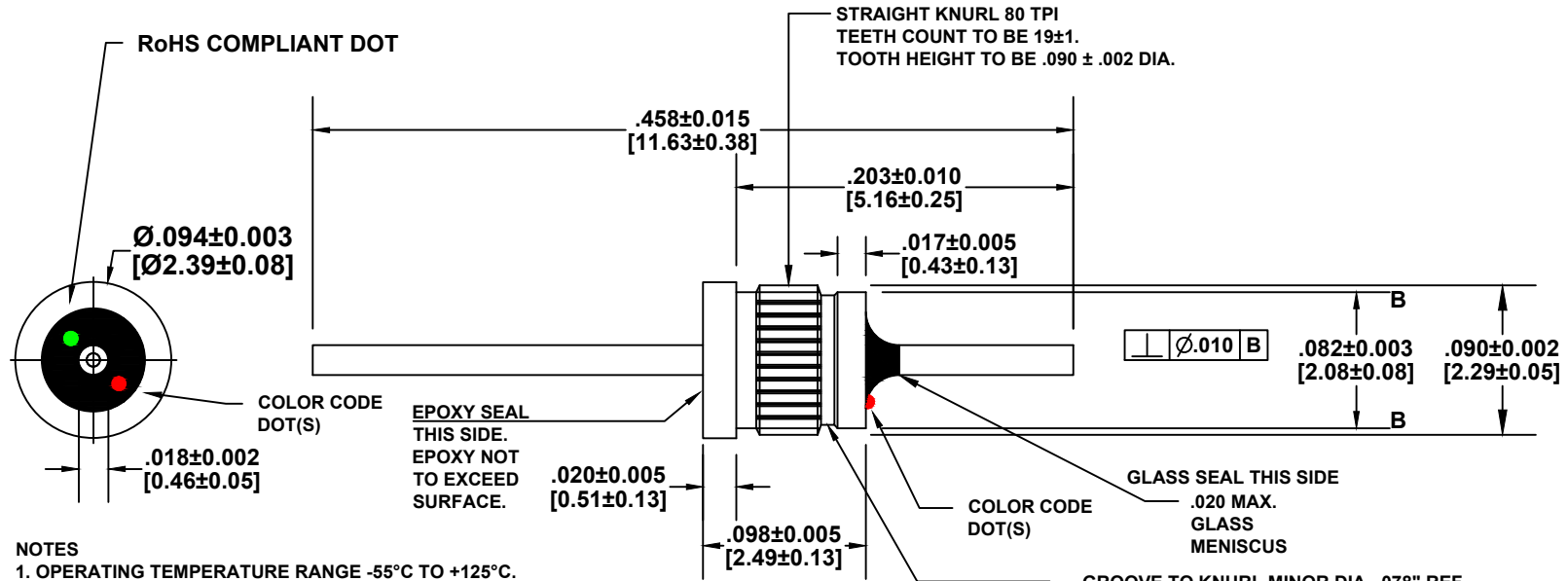


DATA SHEET DRAWING

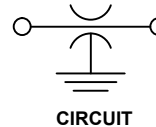
This drawing is the property of Tusonix, Inc., and may not be used, reproduced, published or disclosed to others without expressed authorization by Tusonix Inc.

Electrical testing per Tusonix standard test plans and MIL-Std-202 test methods.



NOTES

1. OPERATING TEMPERATURE RANGE -55°C TO +125°C.
2. GOLD PLATED CASE AND LEAD.
3. EPOXY SEALED ON THE OPPOSITE END FROM THE GLASS SEAL.
4. PROPER INSTALLATION REQUIRES FIRM STEADY PRESSURE UNTIL FLANGE IS FULLY SEATED.
5. RECOMMENDED MOUNTING HOLE: .085" ± .001" [2.18 mm ± 0.01 mm].
6. END OF LEAD INDICATED TO BE FREE OF BURRS.
7. TUSONIX NON-RoHS COMPLIANT PART NUMBER: 4310-010.
TUSONIX RoHS COMPLIANT PART NUMBER: 4310-010LF.
CUSTOMER MUST SPECIFY NON-RoHS OR RoHS PART NUMBER WHEN ORDERING.
8. COLOR CODE: RED. RoHS COMPLIANT PART MARKED WITH ADDITIONAL GREEN DOT FOR IDENTIFICATION.



B	Cx (pF)	DC WORKING VOLTAGE		DC	I.R. MIN @ 100 VDC	DWV	DIMENSIONS: ENGLISH UNITS - INCHES METRIC UNITS - [mm]	TUSONIX <small>A Subsidiary of CTS Electronic Components TUCSON, ARIZONA</small>	Title MINIATURE PRESS-IN EMI FILTER	
	2,700 +100% -0%	85°C 150	125°C 100	1A	10 G Ω	250 VDC			Dwn R.C. 05-05-15 Ckd R.C. 05-05-15	
TYPICAL NO LOAD INSERTION LOSS (dB) @ 25°C PER MIL-STD-220								--TOLERANCES-- Unless Otherwise Specified	Material SEE NOTES	
10 MHz		100 MHz		1 GHz		10 GHz			Scale: NOT TO SCALE	
10		25		40		50			Sheet 1 of 1	
REVISION RECORD								ORIENTATION	2 Place Decimal ± .01	
REV	DATE	CHG BY	CHANGE	REV	DATE	CHG BY	CHANGE		3 Place Decimal ± .005	
A	04-15-15	R.C.	ORIGINAL RELEASE					Angles ± 5°		
B	04-28-16	R.C.	ADD MOUNT HOLE DIM. REMOVE COLOR DOTS FROM BOTTOM OF PART					A 4310-010		
C	12-15-16	R.C.	MODIFIED DOT PLACEMENT AND NOTES. ADDED EPOXY FILL NOTE.							