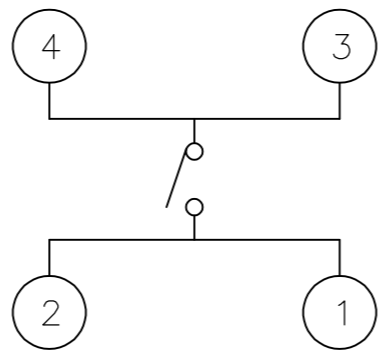
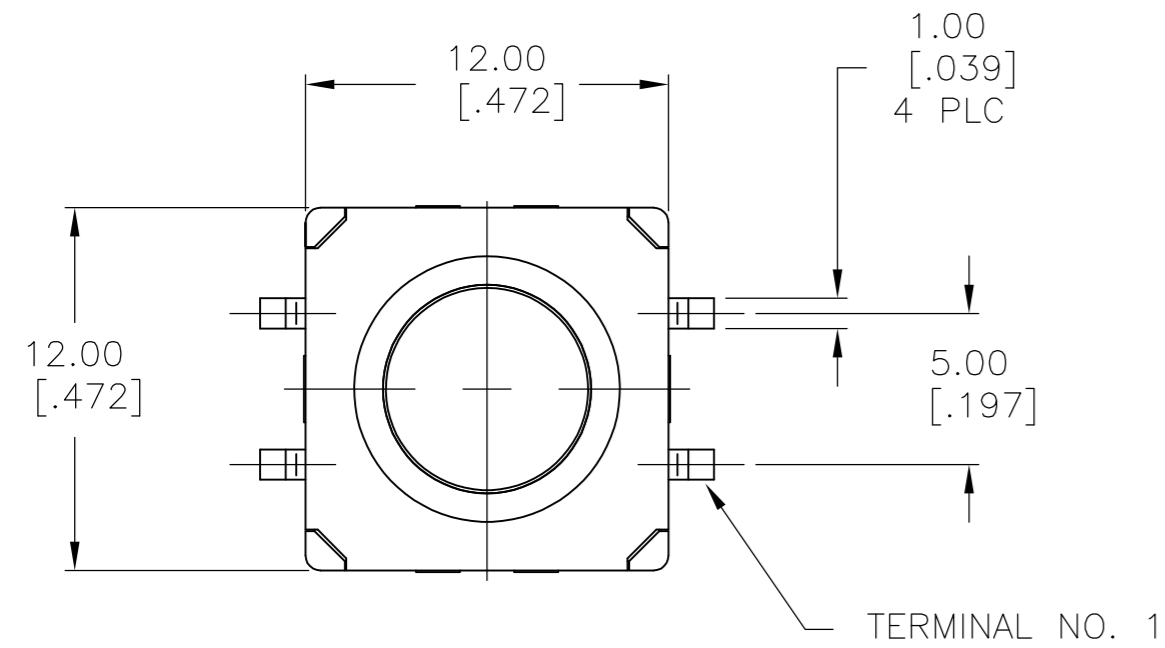


THIS DRAWING IS UNPUBLISHED. RELEASED FOR PUBLICATION 1571218, 1571218
 © COPYRIGHT 1571218y - ALL RIGHTS RESERVED.



CIRCUIT DIAGRAM

SPECIFICATIONS

MATERIALS

CASE: THERMOPLASTIC, UL94V-0, BLACK
 ACTUATOR: THERMOPLASTIC, UL94V-0, FINISH: SEE P/N TABLE
 COVER: STAINLESS STEEL
 SEAL: SILICON RUBBER, BLACK
 CONTACT: STAINLESS STEEL, PLATED-SILVER
 TERMINAL: BRASS, PLATED-SILVER/NICKEL

ELECTRICAL

MAX CONTACT RATING: 50MILLIAMPS@24V DC
 MIN CONTACT RATING: 10MICROAMPS@1V DC
 INITIAL CONTACT RESISTANCE: 100 MILLIOHMS MAX, PER EIA RS-448, METHOD 1
 INSULATION RESISTANCE: 100 MEGOHMS MIN @ 100VDC PER EIA RS-186-13E
 DIELECTRIC STRENGTH: 500VAC PER EIA RS-186-4E
 CONTACT BOUNCE: 10 MILLISECOND MAX PER EIA-448-18, METHOD 15

MECHANICAL

ACTUATOR OPERATING FORCE: SEE TABLE
 ACTUATOR TRAVEL: 0.35±0.2mm [0.014±0.008]

DURABILITY

UP TO 1,000,000 CYCLES, AT RATED LOAD PER EIA-RS-448, METHOD 8
 FINAL CONTACT RESISTANCE: 200 MILLIOHMS MAX
 CONTACT BOUNCE: 20 MILLISECONDS MAX
 ACTUATOR FORCE: WITHIN ±30% OF INITIAL VALUE

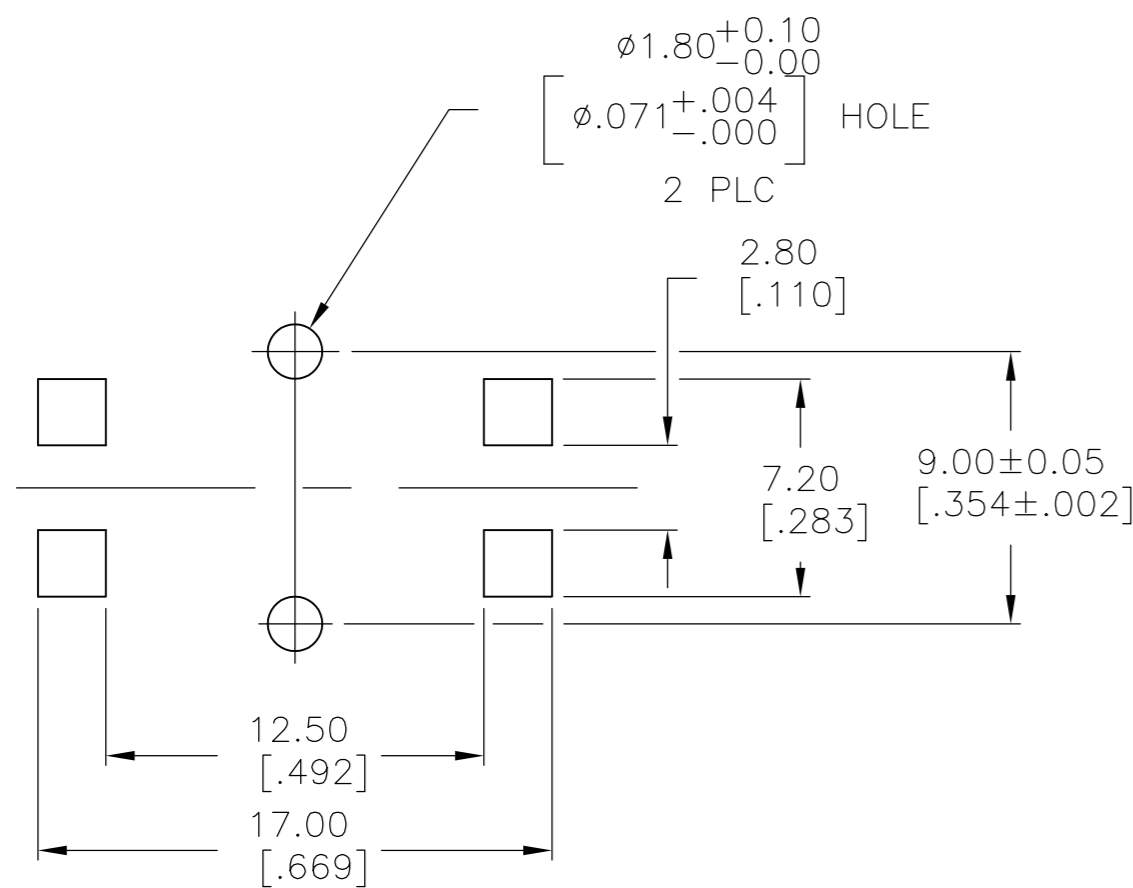
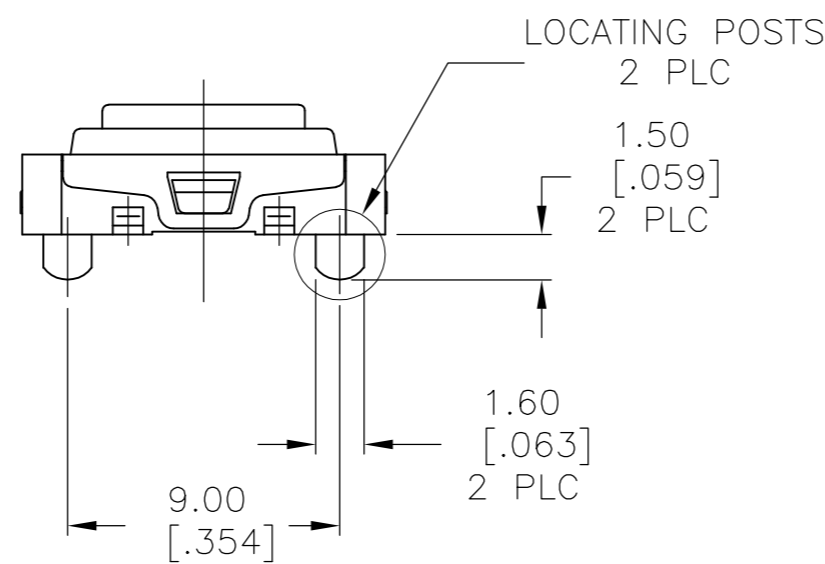
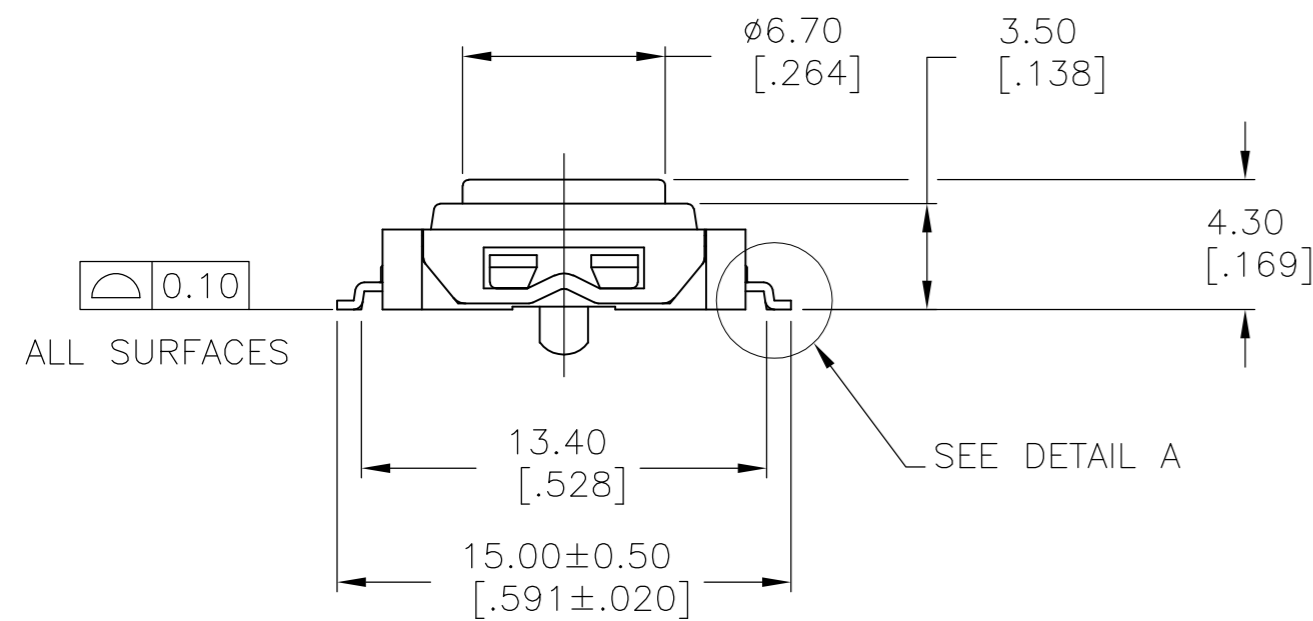
ENVIRONMENTAL

OPERATING TEMPERATURE RANGE: -35°C to +85°C
 STORAGE TEMPERATURE RANGE: -35°C to +85°C
 HUMIDITY: 96 HOURS PER EIA-186-1E
 DRY HEAT TEST: 85°C FOR 96 HOURS PER IEC 60068-2-2, TEST B,
 NO CHANGE IN INITIAL ELECTRICAL AND MECHANICAL CHARACTERISTICS
 COLD TEST: -35°C FOR 96 HOURS PER IEC 60068-2-1, TEST A;
 NO CHANGE IN INITIAL ELECTRICAL AND MECHANICAL CHARACTERISTICS
 THERMAL CYCLING: 5 CYCLES, -35°C to +85°C
 HUMIDITY-TEMPERATURE CYCLING, EIA 364-31B, METHOD III CONTACT RESISTANCE 100 MILLIOHMS MAX
 RESISTANCE TO SOLDERING HEAT PER 109-201, COND B

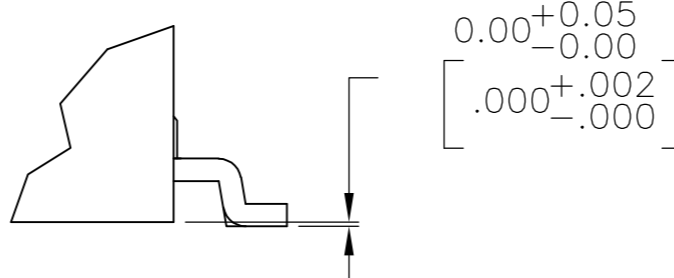
SOLDERABILITY: PER EIA 364-52, CLASS 1 CAT 2
 SEALING PER IP67

1 PARTS TO BE PACKAGED ON TAPE AND REEL PER EIA-481

2 ALL MATERIALS AND FINISHES SHALL COMPLY WITH EU DIRECTIVE 2002/95/EC OF 27JAN2003 (ROHS)



SOLDER PAD DIMENSION



DETAIL A SCALE 10:1

1	T&R	RED	260±50gf	WITHOUT LOCATING POSTS	1571218-6
	BULK	RED	260±50gf	WITHOUT LOCATING POSTS	1571218-5
1	T&R	BLACK	160±50gf	WITH LOCATING POSTS	1571218-4
1	T&R	BLACK	160±50gf	WITHOUT LOCATING POSTS	1571218-3
	BULK	BLACK	160±50gf	WITH LOCATING POSTS	1571218-2
	BULK	BLACK	160±50gf	WITHOUT LOCATING POSTS	1571218-1
	PACKAGING	ACTUATOR COLOR	OPERATING FORCE	REMARKS	TE PART NUMBER

THIS DRAWING IS A CONTROLLED DOCUMENT.		DWN R BROWN 16JAN02	TE Connectivity		
DIMENSIONS: mm [INCHES]		CHK H WYNKOOP 16JAN02			
TOLERANCES UNLESS OTHERWISE SPECIFIED:		APVD H WYNKOOP 16JAN02	NAME		
0 PLC ± -	1 PLC ± -	PRODUCT SPEC	SWITCH ASSEMBLY, TACTILE, 12 X 12, SMT, SEALED		
2 PLC ± 0.30[0.012]	3 PLC ± -	APPLICATION SPEC	SIZE A2	CAGE CODE 00779	DRAWING NO C=1571218
4 PLC ± -	ANGLES ± -		WEIGHT -	RESTRICTED TO -	
MATERIAL -	FINISH -	CUSTOMER DRAWING	SCALE 4:1	SHEET 1 of 1	REV K1