

All dimensions are in mm; tolerances according to ISO 2768 m-H

Interface

According to 15K101-40M
IEC 60169-15

Suitable cables

RTK 013, cable group H1
Micro coax cable d=1.37mm, center conductor AWG30
Connector are only sold with cable
Minimum bending radius single 4x \varnothing
Minimum bending radius repeated 8x \varnothing

Documents

Technical data sheet Micro RF plug 15S209-3H1E4
Technical data sheet SMA plug 32S101-3H1L5
Technical data sheet cable RTK 013

Available Variants

Type	Length a [mm]	Weight [g]
LH1-021-100	100	4.5
LH1-021-300	300	8.2
LH1-021-600	600	9.6

Standard length available and customized length on request

Electrical data

Impedance 50 Ω
Frequency DC to 6 GHz
Return loss \leq -25 dB at 2 GHz
(Simulated) \leq -22 dB at 3 GHz
 \leq -16 dB at 6 GHz
Insulation resistance \geq 0.5 x10³ M Ω
Center contact resistance \leq 50 m Ω
Outer contact resistance \leq 50 m Ω
Working voltage 4 V

Dieses Dokument ist urheberrechtlich geschützt • This document is protected by copyright • Rosenberger Hochfrequenztechnik GmbH & Co. KG RF_35/09.14/6.2

Mechanical data

Mating form	Snap-on
Mating cycles	> 10,000
Mating force	< 6N
Unmating force	> 7N

Environmental data

Temperature range	-40°C to +90°C
2002/95/EC (RoHS)	compliant

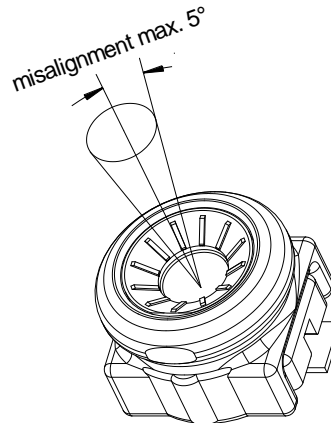
Cables

Cable group H1	Micro coax cable H1 (RTK 013) Center conductor AWG 30
----------------	--

Mating and un-mating

For the reliable mating and un-mating follow the precautions :

1. The vertical mating axis of the PCB receptacle and the adapter has to be aligned during the connecting and a hearable click will confirm that the connectors are mated correctly.
2. The disconnection of the 2 connectors is carried out by vertical pulling of the adapter.
3. The connectors should not be mated under an extreme angle.
4. The mating force should be in the limits $5\text{ N} \leq F \leq 10\text{ N}$



Packing

Standard 1 pcs. in plastic bag

While the information has been carefully compiled to the best of our knowledge, nothing is intended as representation or warranty on our part and no statement herein shall be construed as recommendation to infringe existing patents. In the effort to improve our products, we reserve the right to make changes judged to be necessary.

Draft	Date	Approved	Date	Rev.	Engineering change number	Name	Date
F. Michelmann	09.05.07	C. Kainzmaier	08.06.18	d00	18-0940	M. Margardt	08.06.18

Rosenberger Hochfrequenztechnik GmbH & Co. KG P.O.Box 1260 D-84526 Tittmoning Germany www.rosenberger.de				Tel. : +49 8684 18-0 Email : info@rosenberger.de		Page 2 / 2
--	--	--	--	--	--	---------------