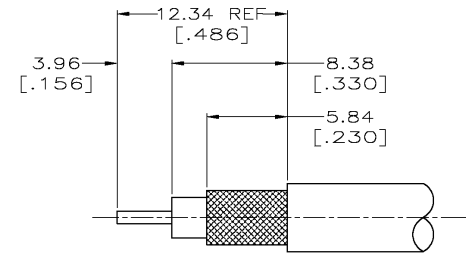
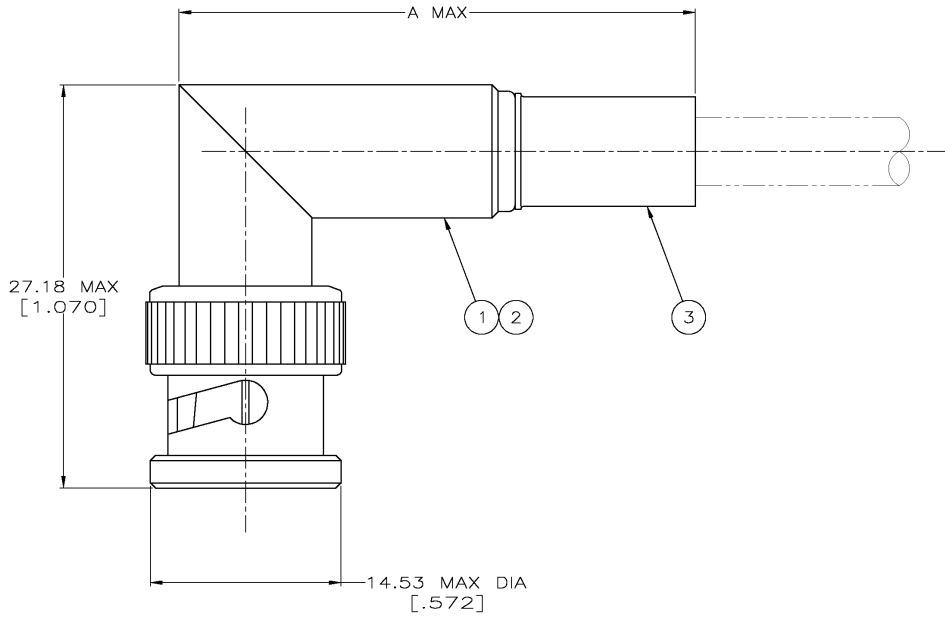


- ① USE WITH PRO-CRIMPER II
- ② SEE SEPERATE RESTRICTED CUSTOMER DRAWING WITH THIS PART NUMBER.
- 3. USE INSTRUCTION SHEET 9781



RECOMMENDED STRIP LENGTH

△ OBSOLETE △ OBSOLETE SUPSD BY 413588-3	AT&T 735	58174-1	39.88 [1.570]	3-328666-3	221200-9	413947-2	221402-7
	-	-	-	-	-	-	221402-6
	BELDEN 8281, 9231 AND WECO 728	220189-7	41.78 [1.645]	1-50427-6	2-221200-5	413947-3	221402-5
	BELDEN 9145	58085-1	39.88 [1.570]	50428-2	2-221200-5	413947-6	221402-4
	BELDEN 8218	58174-1	39.88 [1.570]	2-329461-7	221200-9	413947-2	221402-3
	RG-59/U, 59A/U, 59B/U	58085-1	39.88 [1.570]	50428-2	221200-3	413947-6	221402-2
	BELDEN 9248 & MADISON W/18AWG C/C	58086-1	39.88 [1.570]	50427-6	3-221200-2	413947-5	221402-1
	CABLE	DIE SET	A	③ FERRULE QTY=1	② CONTACT QTY=1	① PLUG ASSEMBLY QTY=1	PART NUMBER

THIS DRAWING IS A CONTROLLED DOCUMENT FOR AMP INCORPORATED. IT IS SUBJECT TO CHANGE AND THE CONTROLLING ORGANIZATION ORIGINATOR SHOULD BE CONTACTED FOR THE LATEST REVISION.		DWN J. LIPPERT 09JAN97	AMP AMP Incorporated Harrisburg, PA 17105-3608
DIMENSIONS: mm[INCHES]		CHK M. PHILLIPS 09JAN97	
TOLERANCES UNLESS OTHERWISE SPECIFIED: 0 PLG ± 1 PLG ± 2 PLG ±0.41[.016] 3 PLG ± 4 PLG ± ANGLES ± FINISH		APVD M. PHILLIPS 09JAN97	
MATERIAL: -		NAME M. PHILLIPS	PRODUCT SPEC 108-12020 APPLICATION SPEC
		SIZE A2	CAGE CODE 00779 DRAWING NO C-221402 RESTRICTED TO -
		WEIGHT -	SCALE 4:1 SHEET 1 OF 1 REV L
CUSTOMER DRAWING			