

THIS DRAWING IS UNPUBLISHED.

RELEASED FOR PUBLICATION

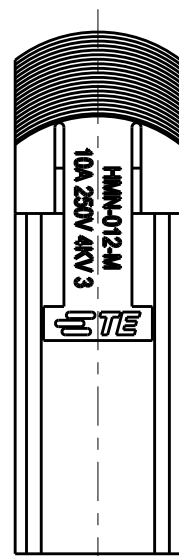
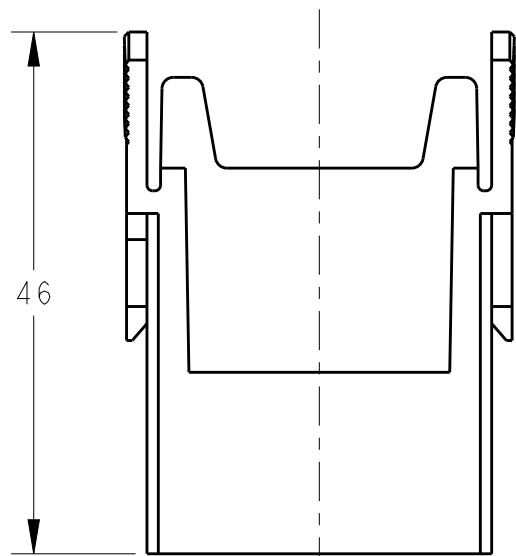
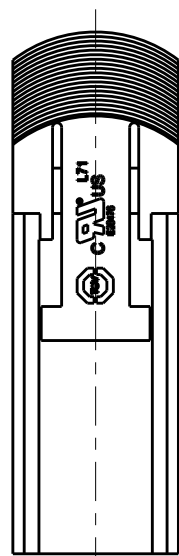
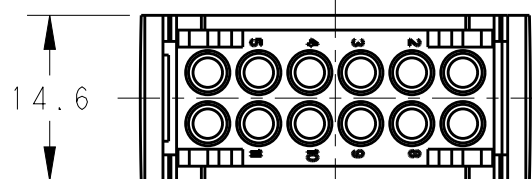
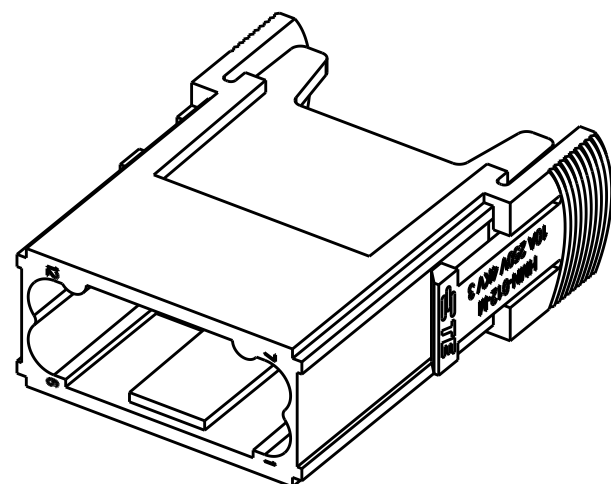
20

© COPYRIGHT 20 BY -

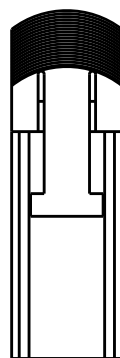
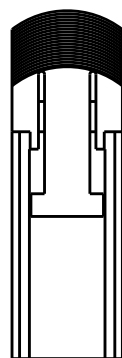
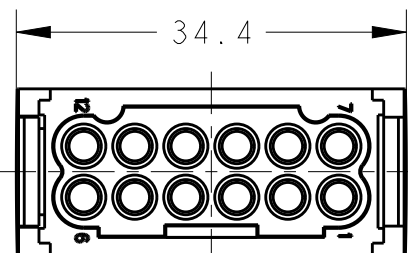
ALL RIGHTS RESERVED.

REVISIONS

| P | LTR | DESCRIPTION | DATE | DWN | APVD |
|---|-----|---------------|-----------|-----|------|
| | A | INITIAL | 14APR2015 | DW | CW |
| | B | ECR-15-018270 | 09DEC2015 | DW | CW |
| | B1 | ECR-16-006849 | 13MAY2016 | RL | CW |



T2111122101-000 SHOWN,
带 LOGO, 产品型号, 认证标示



T2111122101-001 SHOWN, ALL DIMENSIONS ARE SAME AS T2111122101-000, EXCEPT WITHOUT LOGO, TYPE DESCRIPTION, TUV AND CUL MARK
不带 LOGO, 产品型号和认证标示

NOTES:

- TECHNICAL CHARACTERISTICS:
INSULATION MATERIAL: PC
RATED VOLTAGE: 250V
RATED CURRENT: 10A
INSULATION RESISTANCE: $\geq 400M\Omega$
RATED IMPULSE VOLTAGE: 4KV
POLLUTION DEGREE: 3
FLAMMABILITY: UL94V-0
MATING CYCLES: 500 CYCLES
OPERATION TEMPERATURE: $-40\sim+125^{\circ}C$
WIRE RANGE: $0.14\sim 2.5\text{ mm}^2$ (26~14 AWG)
CONTACT TYPE: CRIMP CONTACT
- CONTACT NEED TO BE ORDERED SEPARATELY.
(ORDER No. REFER TO DRAWING: T20200X10XX000)

注释:

- 技术参数:
绝缘材料: PC
额定电压: 250V
额定电流: 10A
绝缘电阻: $\geq 400M\Omega$
额定脉冲电压: 4KV
污染等级: 3
阻燃等级: UL94V-0
插拔次数: 500次
工作温度: $-40\sim+125^{\circ}C$
接线范围: $0.14\sim 2.5\text{ mm}^2$ (26~14 AWG)
接线类型: 冷压接
- 端子需要单独订购.
(订货号参考图面: T20200X10XX000)

| | |
|-------------------|---|
| T2111122101-001 | HMN-012-M WITHOUT LOGO HMN-012模块公插 不带LOGO, 产品型号和认证标示 |
| T2111122101-000 | HMN-012-M WITH LOGO HMN-012模块公插 |
| PART NUMBER 料号 | PART DESCRIPTION 描述 |

| | | | | |
|---|--------|--------------------------------|-------------------|--------------------|
| THIS DRAWING IS A CONTROLLED DOCUMENT. | | DWN 14APR2015 David Wang | | |
| DIMENSIONS: mm | | CHK 14APR2015 Chris Wang | | |
| TOLERANCES UNLESS OTHERWISE SPECIFIED: | | APVD 14APR2015 Xiang Xu | | |
| 0 PLC ±- 1 PLC ±- 2 PLC ±- 3 PLC ±- 4 PLC ±- ANGLES ±- | | PRODUCT SPEC 108-137121 | | |
| MATERIAL | FINISH | APPLICATION SPEC 114-137121 | NAME HMN-012-M | RESTRICTED TO |
| - | - | WEIGHT - | SIZE A3 | CAGE CODE 00779 |
| Customer Drawing | | DRAWING NO. T2111122101000 | SCALE 1:1 | SHEET 1 OF 1 |
| | | REV B1 | | |