

1

2

3

4

REVISIONS

DRAWN	REV	DESCRIPTION	DATE	APPROVED
CP	01	Original	8/31/16	
CP	02	Increased Tail Length	11/4/16	

D

D

C

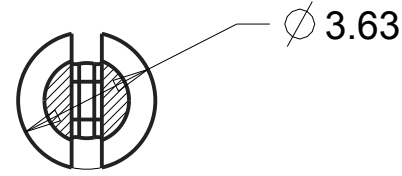
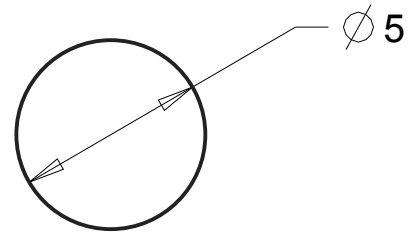
C

B

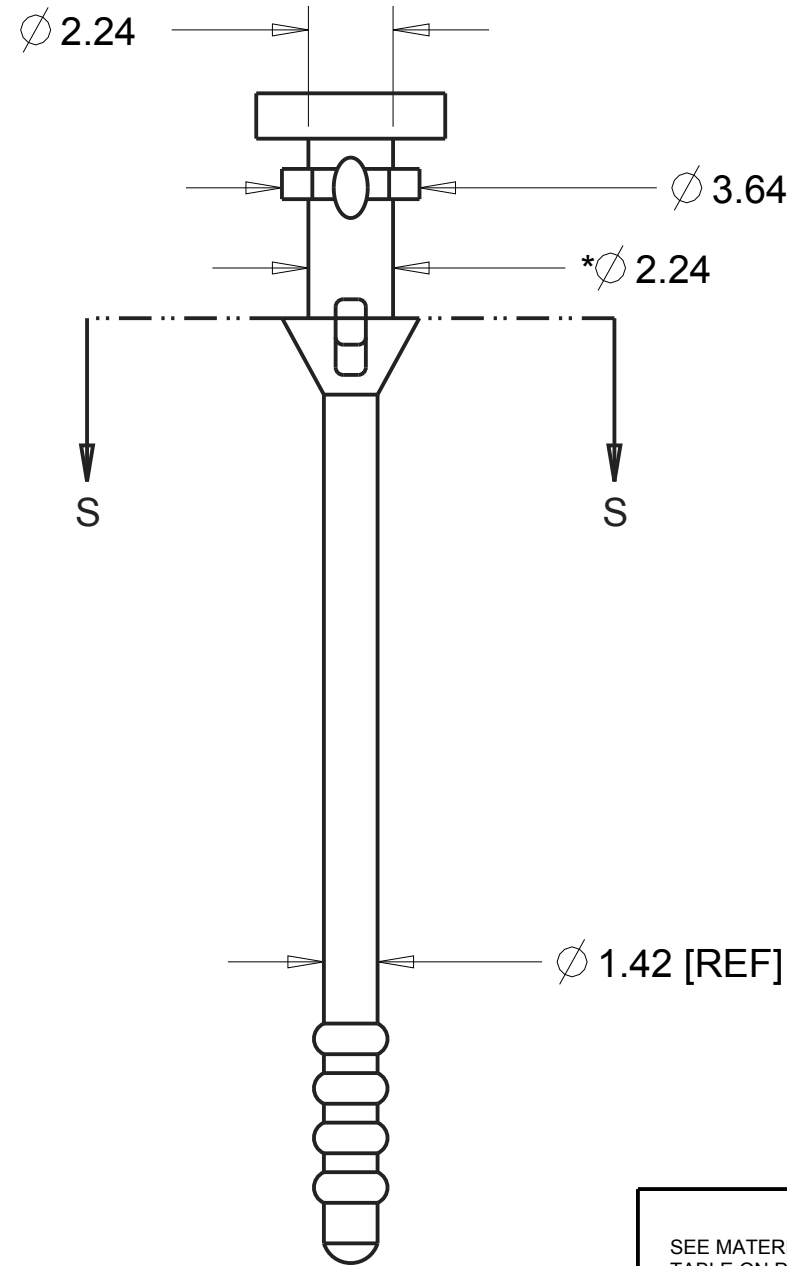
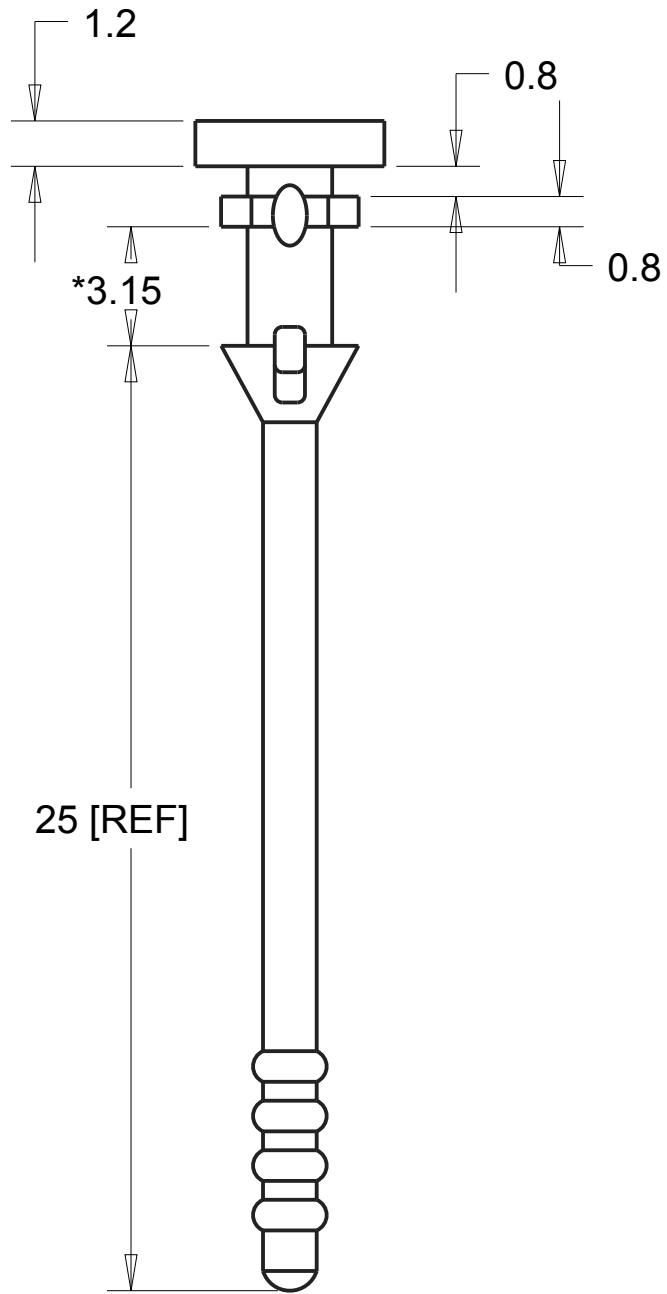
B

A

A



SECTION S-S



NOTES:

1. CRITICAL DIMENSIONS ARE MARKED WITH "\*".

SEE MATERIAL AND TOLERANCE TABLE ON PAGE 2		AEARO TECHNOLOGIES LLC * a 3M company		
	QUALITY CONTROL: MUST COMPLY WITH AEARO TECHNOLOGIES LLC SUPPLIER QUALITY MANUAL REQUIREMENTS	TITLE F-336 Fan Mount		
	NOTES: ANY FEATURE NOT DIMENSIONED IN PRINT MUST BE VISIBLY PRESENT, UTILIZE 3D CAD FOR CREATION	SIZE B	ITEM CODE	DWG NO. F-336-X
CALC WT				

1

2

3

4

1

2

3

4

D

D

PART NUMBER	MATERIAL	COLOR
X-XXX-1	C-1002	BLUE
	C-1105	TURQUOISE
	C-1100	YELLOW
	C-1130	GREY
X-XXX-C8002	C-8002	SKY BLUE
	C-8012	BLACK
	C-8070	BLACK
	C-8130	BLACK
X-XXX-C6040	C-6040	BLACK
	C-6050	BLACK
	C-6060	BLACK
X-XXX-SL20300	SL-20300	BLACK
	SL-35300	BLACK
	SL-50300	BLACK
	SL-60300	BLACK
X-XXX-V2325	V-2325	BLACK
	V-2350	BLACK
	V-2375	BLACK
	V-2525	BLACK
	V-2550	BLACK
	V-2575	BLACK
	V-2590	BLACK
	V-2599	NATURAL
	V-2725	BLACK
	V-2750	BLACK
	V-2775	BLACK

C

C

C-1XXX,C-8XXX  
C-6XXX,V-XXXX

RANGE	TOL
0<DIM<2	$\pm 0.15$
2<=DIM<25	$\pm 0.25$
25<=DIM<50	$\pm 0.4$
50<=DIM	$\pm 0.6$

DRAFT ANGLE	$\pm 1^\circ$
FLASH	$\pm 0.12$
GATE	$\pm 0.15$

C-8070,C-8130

RANGE	TOL
0<DIM<2	$\pm 0.10$
2<=DIM<25	$\pm 0.20$
25<=DIM<50	$\pm 0.30$
50<=DIM	$\pm 0.40$

DRAFT ANGLE	$\pm 1^\circ$
FLASH	$\pm 0.10$
GATE	$\pm 0.20$

SL-XXXXX

RANGE	TOL
0<DIM<10	$\pm 0.10$
10<=DIM<20	$\pm 0.20$
20<=DIM<50	$\pm 0.30$
50<=DIM<80	$\pm 0.40$
80<=DIM	$\pm 0.5\%$

DRAFT ANGLE	$\pm 1^\circ$
FLASH	$\pm 0.30$

B

B

A

A

UNLESS OTHERWISE SPECIFIED UNITS ARE: MM	MATERIAL:	AEARO TECHNOLOGIES LLC * a 3M company		
	QUALITY CONTROL: MUST COMPLY WITH AEARO TECHONLOGIES LLC SUPPLIER QUALITY MANUAL REQUIREMENTS	TITLE F-336 Fan Mount		
CALC WT	NOTES: ANY FEATURE NOT DIMENSIONED IN PRINT MUST BE VISIBLY PRESENT, UTILIZE 3D CAD FOR CREATION	SIZE B	ITEM CODE	DWG NO. F-336-X

1

2

3

4