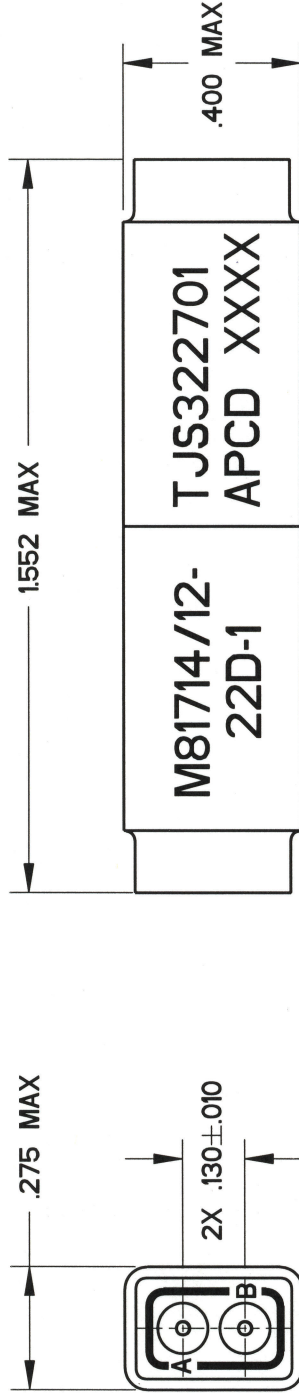
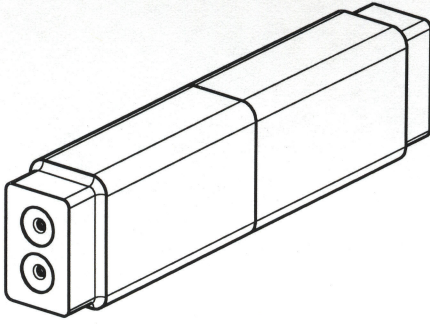


REV	ECN	APP'D
-	5882	<i>R. Swaine</i>



- NOTES:
- PART MEETS ALL REQUIREMENTS OF MIL-T-81714/12
 - MATERIALS:
GROMMET - SILICONE RUBBER, COLOR: BLUE
INSULATOR - THERMOPLASTIC
INTERNAL CONTACT - COPPER ALLOY
CONTACT RETAINER CLIPS - STAINLESS STEEL ALLOY
 - MODULE ACCEPTS M39029/1-100 PIN CONTACTS, SEE TABLE.

PART NO.	DESCRIPTION	P/N MARKING
TJS322601	CONTACTS NOT SUPPLIED	TJS322701
TJS322701	FIVE (5) CNP068000 INCLUDED	

TITLE		TERMINAL JUNCTION SPLICE
		DOUBLE BUSSED, SIZE 22
SIZE	DWG NO.	REV
A	TJS322601_C	-
CODE:	58982	SCALE: 8:3
		SHEET 1 OF 1

Amphenol Pcd

SPECIFICATION DRAWING

DRWN

R. SWAINE

06/29/06

ENGR

R. Swaine 7/13/06

APPR

J. Swaine 7/18/06

TOLERANCES

.XX ±0.01
.XXX ±0.005
ANGLES ±0.5°

PROJECTION



THIS DOCUMENT CONTAINS
PROPRIETARY INFORMATION WHICH
IS THE CONFIDENTIAL PROPERTY
OF AMPHENOL PCD INC., PEABODY, MA

