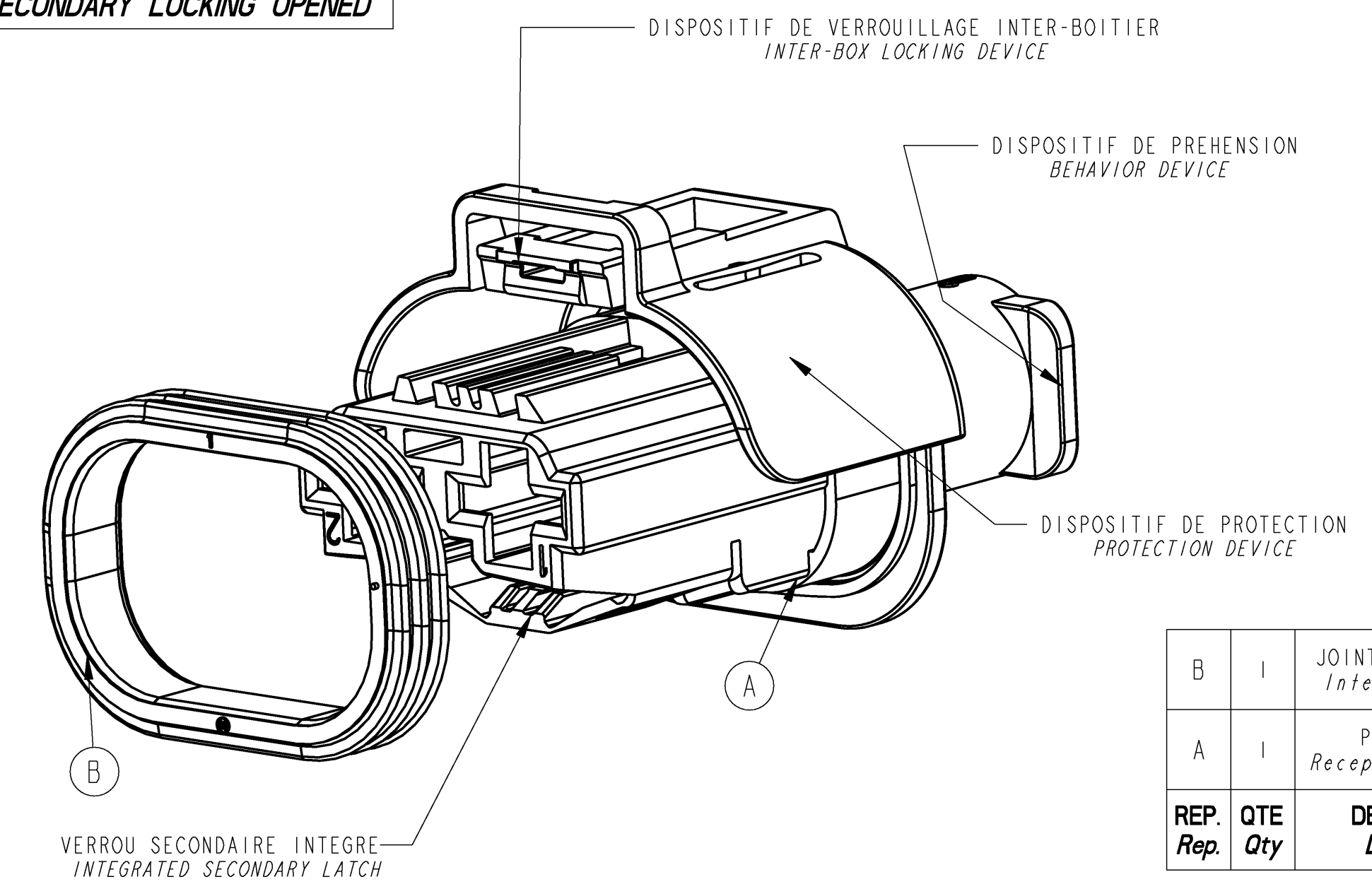
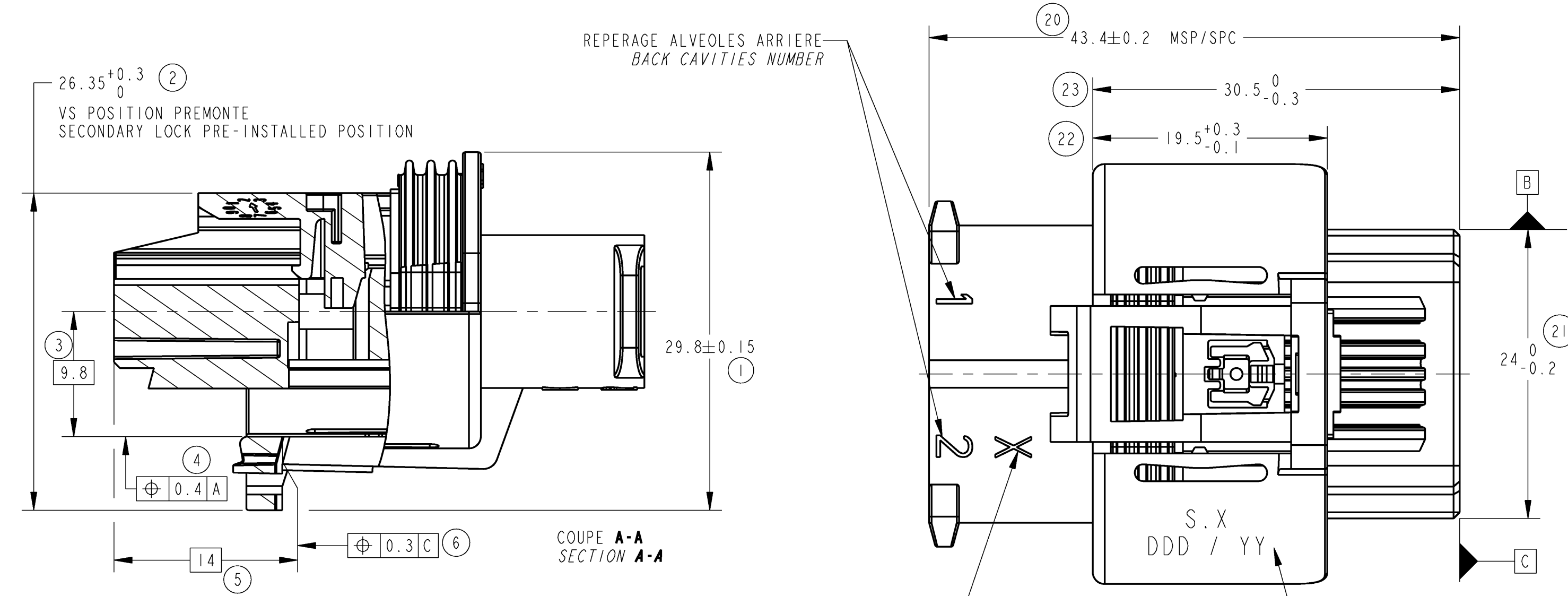
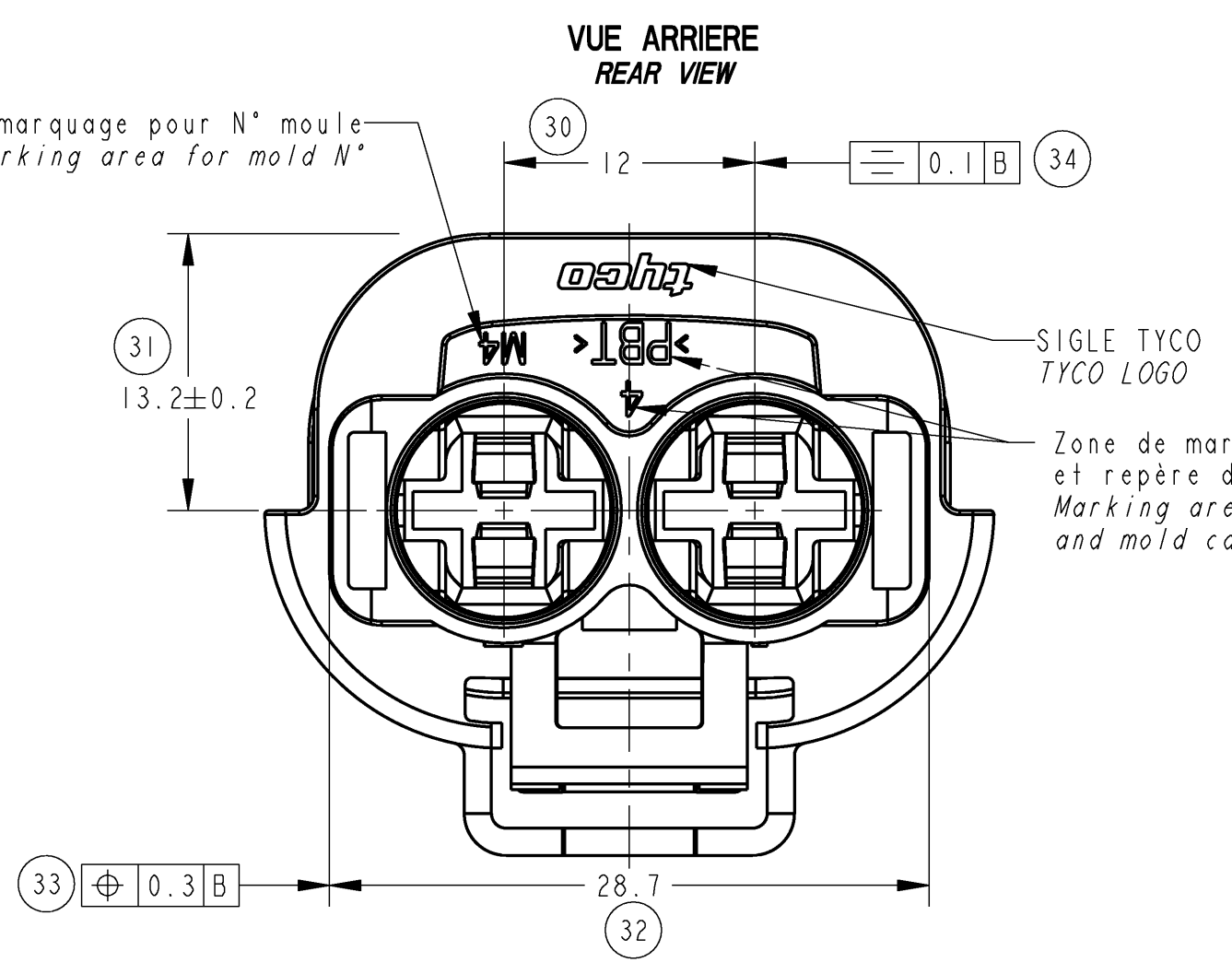
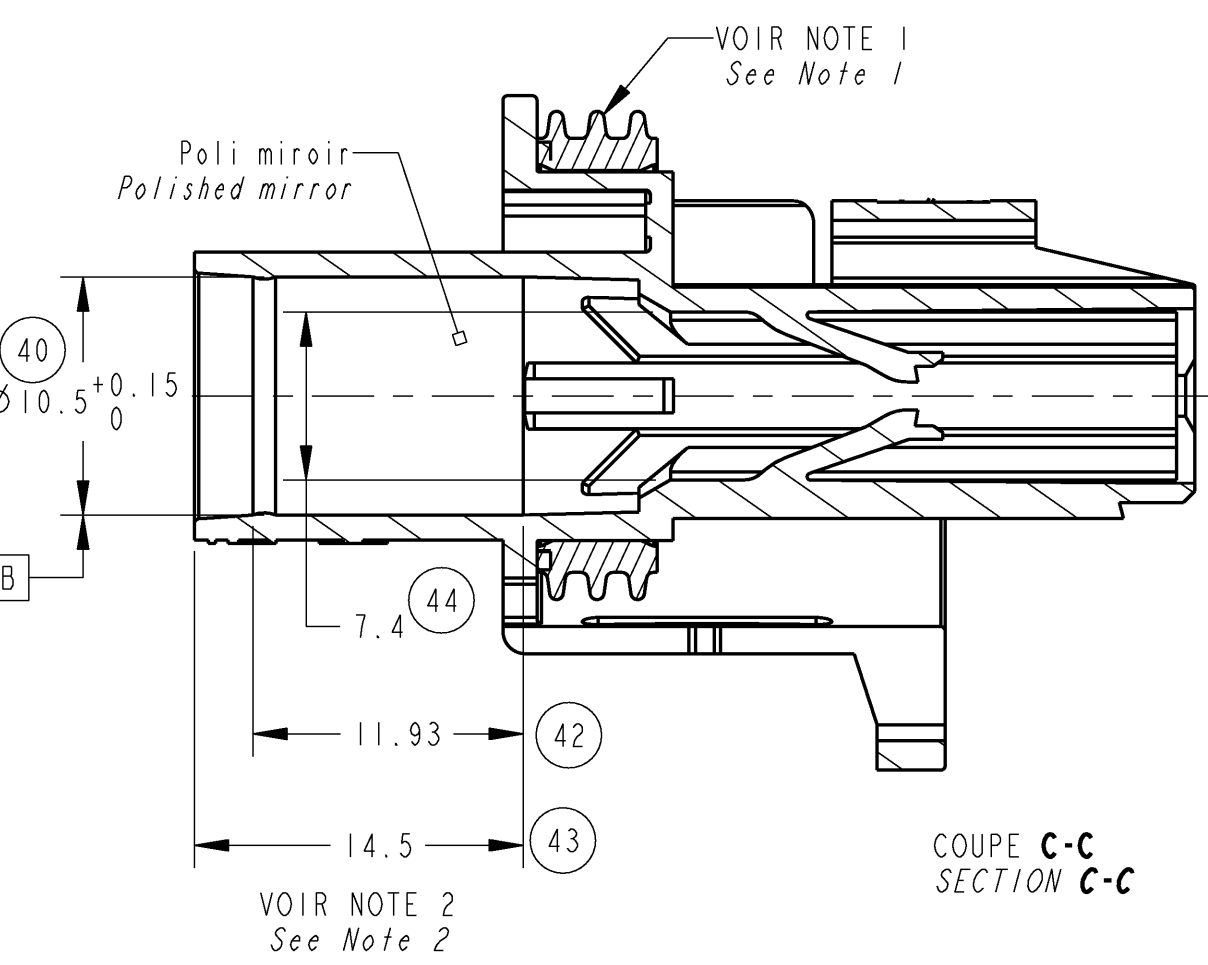
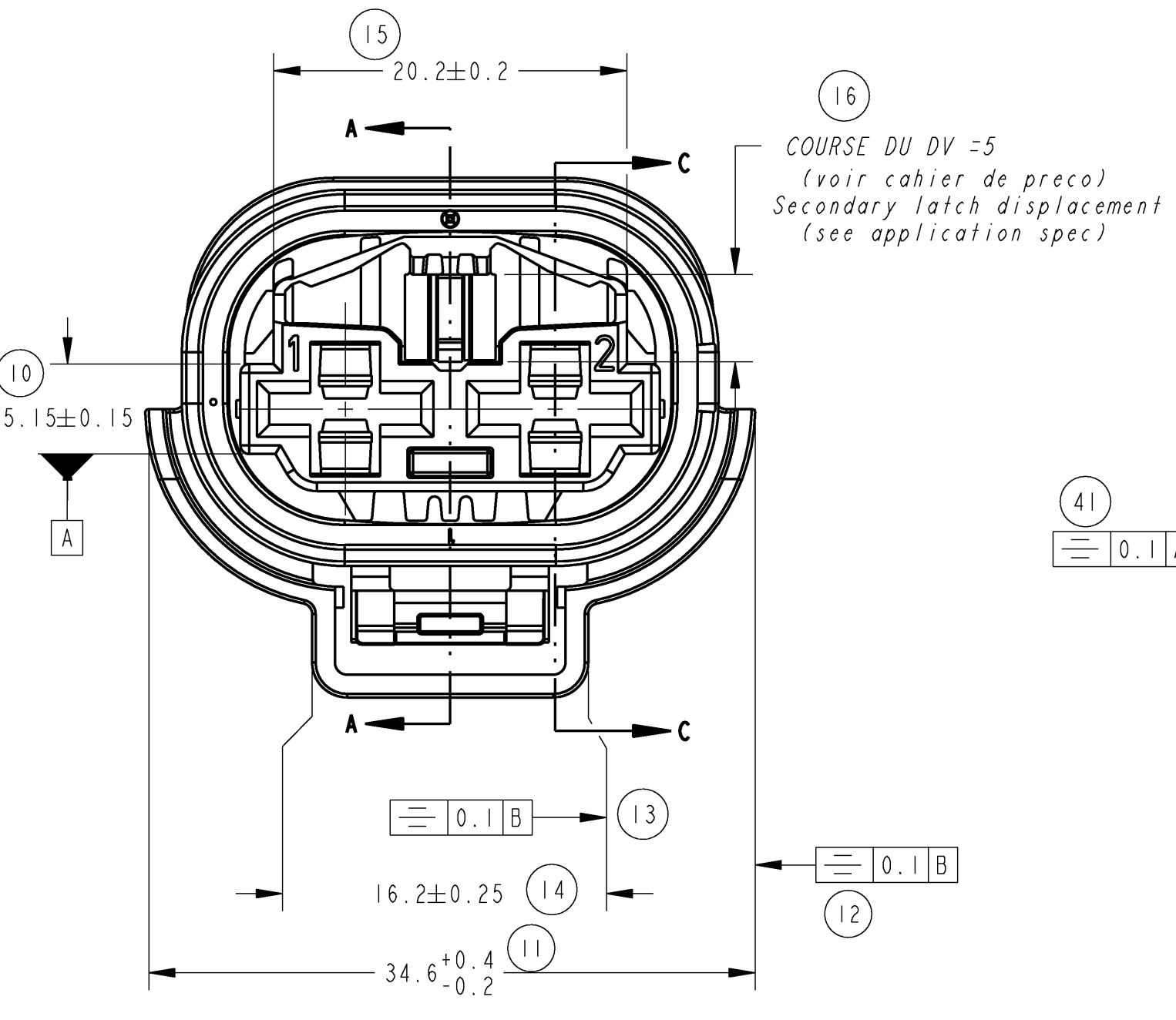


**PORTE-CLIPS / VS OUVERT**  
**TERMINAL RECEPTACLE HOUSING / SECONDARY LOCKING OPENED**



REP. Rep.	QTE Qty	DESIGNATION Description	MATIERE Material	COULEUR Colour
B	I	JOINT INTERFACIAL Interfacial seal	SILICONE MVQ 50 autolubrifie MVQ 50 Self-lubricated silicon	VERT Green
A	I	PORTE-CLIP Receptacle housing	PBT	VOIR TABLEAU See table



**NOTES :**

- <1> LEVRES DU JOINT EXEMPTES DE BAVURES, COUPURES OU DEFATS D'ASPECTS  
SEAL MUST NO BURRS, CRACKS OR SURFACES DEFECTS
- <2> ZONE SANS PLAN DE JOINT , EXEMTE DE MARQUES OU RAYURES  
AREA WITHOUT JUNCTION LINES , MUST NO MARKS OR BURRS
- MSP : COTES SUIVIES EN MSP / SPC DIMENSIONS .

**DOCUMENTS DE REFERENCE / REFERENCE DOCUMENTS :**

- PLAN D'INTERFACE / INTERFACE DRAWING :  
TYCO : No / Nr 1544681  
PSA : STE No / Nr 9638276999
- PLAN D'ALVEOLE 8mm NGI / 8mm NGI CAVITY DRAWING :  
TYCO : No / Nr 3213 D 101 (No PRONER)  
PSA : STE No / Nr 9641753599
- CDC CONNECTIQUE PSA / PSA CONNECTIC CDC  
PSA : STE No / Nr 96 299 660 99

**REFERENCES PORTES LANGUETTES ASSOCIEES / ASSOCIATED TABS HOUSINGS REFERENCES**

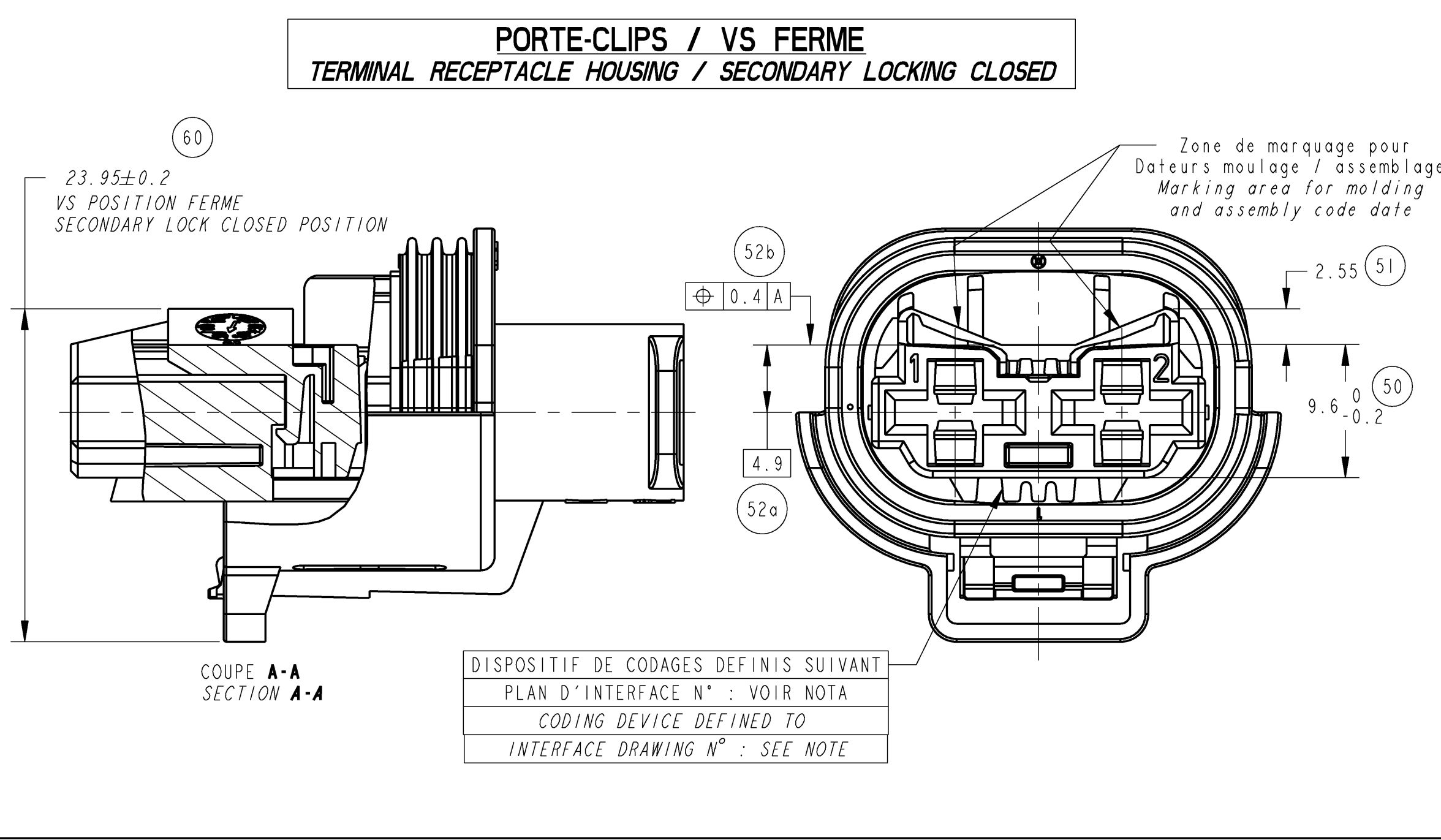
REF (PN) TYCO	DESIGNATION / DESCRIPTION	MATIERE / MATERIAL	COULEUR / COLOR
1544334-1	Porte-langchette 2 voies 8NGI etanche 2-way 8NGI sealed tab housing	PBT 10% FV PBT GF 10%	NOIR BLACK
1544334-2	Porte-langchette 2 voies 8NGI etanche 2-way 8NGI sealed tab housing	PBT 10% FV PBT GF 10%	BLEU BLUE
1544334-3	Porte-langchette 2 voies 8NGI etanche 2-way 8NGI sealed tab housing	PBT 10% FV PBT GF 10%	GRIS GREY

**REFERENCES CLIPS ET JOINTS ASSOCIEES / ASSOCIATED FEMALES RECEPTACLES AND SEALS REFERENCES**

REF (PN) TYCO	DESIGNATION / DESCRIPTION	MATIERE / MATERIAL	COULEUR / COLOR
1544227-1	Clip 8mm NGI, section 3 a 6 mm <sup>2</sup> Receptacle 8mm NGI, wire-sect 3 to 6 mm <sup>2</sup>	Cuivre Micro allie Micro alloy copper	/
1544228-1	Clip 8mm NGI, section 7 a 10 mm <sup>2</sup> Receptacle 8mm NGI, wire-sect 7 to 10 mm <sup>2</sup>	Cuivre Micro allie Micro alloy copper	/
1544316-1	Joint unifilaire, diametre fil 3.18 a 4.2mm Single wire seal, wire diameter 3.18 to 4.2mm	Silicone Autolubrifie Self-lubricated Silicon	VERT GREEN
1544316-2	Joint unifilaire, diametre fil 4.3 a 6mm Single wire seal, wire diameter 4.3 to 6mm	Silicone Autolubrifie Self-lubricated Silicon	ORANGE ORANGE
1544316-3	Bouchon Seal plug	Silicone Non-lubrifie No-lubricated Silicon	BLANC WHITE
1544664-1	Super-joint unifilaire, diametre fil 3.18 a 4.2mm Super-single wire seal, wire diameter 3.18 to 4.2mm	Silicone Autolubrifie Self-lubricated Silicon	VERT GREEN
1544664-2	Super-joint unifilaire, diametre fil 4.3 a 6mm Super-single wire seal, wire diameter 4.3 to 6mm	Silicone Autolubrifie Self-lubricated Silicon	ORANGE ORANGE
1544664-3	Super-bouchon Super-seal plug	Silicone Non-lubrifie No-lubricated Silicon	BLANC WHITE

**REFERENCES TYCO & CODAGES COULEURS ASSOCIES / TYCO PART NUMBERS & ASSOCIATED CODING COLORS**

1544317-1	1544317-2	1544317-3
NOIR / BLACK	BLEU / BLUE	GRIS / GREY



**tyco** Tyco Electronics France SAS  
 Rue 90, 38530 Chapareillon

**1544334-1**  
 PORTE-CLIP 2 VOIES 8mm NGI ETANCHE  
 2-WAY 8mm NGI SEALED RECEPTACLE HOUSING

DATE: 20APR2005  
 DWG: 1544334-1.DWG  
 APPR: J. DANIEL  
 DIMENSIONS: mm  
 TOLERANCES UNLESS SPECIFIED: 1 PLG/DEC: ±0.2, 2 PLG/DEC: ±0.2, 3 PLG/DEC: ±0.2, 4 PLG/DEC: ±0.2  
 ANGLE: 45°  
 FINISH: -  
 WEIGHT: MASSE APPROX. 8.75gr  
 CUSTOMER DRAWING / PLAN CLIENT: -  
 SCALE: 3:1  
 SHEET: 1 OF 1  
 REV: F