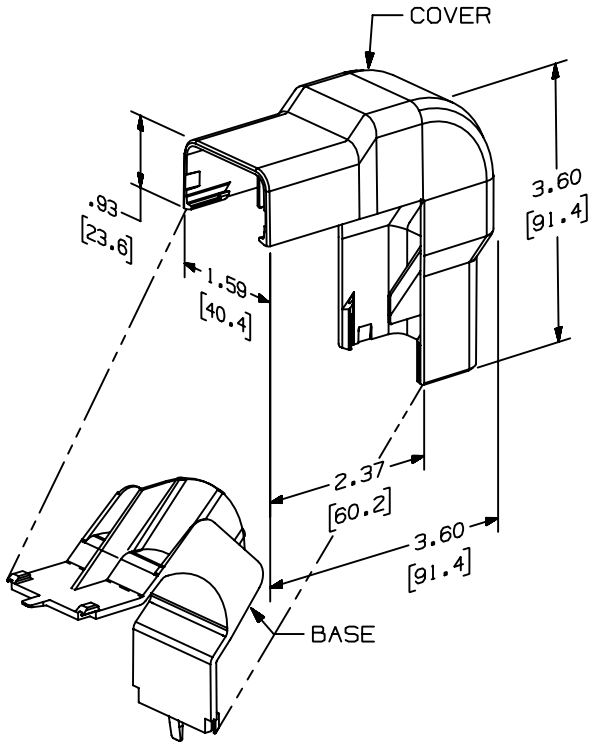


THIS COPY IS PROVIDED ON A RESTRICTED BASIS AND IS NOT TO BE USED IN ANY WAY DETRIMENTAL TO THE INTERESTS OF PANDUIT CORP.

PANDUIT PART NO.	WEIGHT
OCFX10	11.9 LB/100 PCS (5410 g/100 PCS)



- NOTES:
- SEE CURRENT CATALOG FOR ADDITIONAL PART NUMBER SUFFIXES TO INDICATE COLOR AND OR PACKAGE QUANTITY.
  - THIS PRODUCT IS INTENDED TO BE USED WITH PANDUIT TYPE LD10, LDP10 AND LDP210 RACEWAY.
  - NOMINAL WALL THICKNESSES;  
BASE = .090 [2.3]  
COVER = .070 [1.8]
  - THIS PRODUCT IS FEATURED WITH THE TIA/EIA COMPLIANT BEND RADIUS.
  - DIMENSIONS IN PARENTHESIS ARE IN METRIC.

A

CAD FILENAME/LAYERS D35013BB\_LD\_OCFX10\_01.PRT

PANDUIT CORP. TINLEY PARK, ILLINOIS

OUTSIDE CORNER FITTING BASE AND COVER (OCFX10)  
CUSTOMER DRAWING

UNLESS OTHERWISE SPECIFIED, DIMENSIONAL TOLERANCES ARE:  
(.X) ± (.XXX) ±.015 [.4]  
(.XX) ±.03 [.8] ANGLES ±

UNLESS OTHERWISE SPECIFIED, ALL DIMENSIONS ARE GIVEN IN INCHES, THIRD ANGLE PROJECTION.

REV	DATE	BY	CHK	DESCRIPTION	ECN	CHK	CUST	SUP	DRAWN BY	MAT'L:	SCALE	DRAWING NO.	DWG SIZE
I	03-11-04	JHEP	RGRO	A. REMOVED CD10 FROM NOTE 2	35013-02	RGRO	RGRO		DW		NONE		
R	02-09-95	DW	CEF	RELEASED TO PRODUCTION	35013-02	CEF	CEF		DATE	PVC		35013-02	A
									CEP				