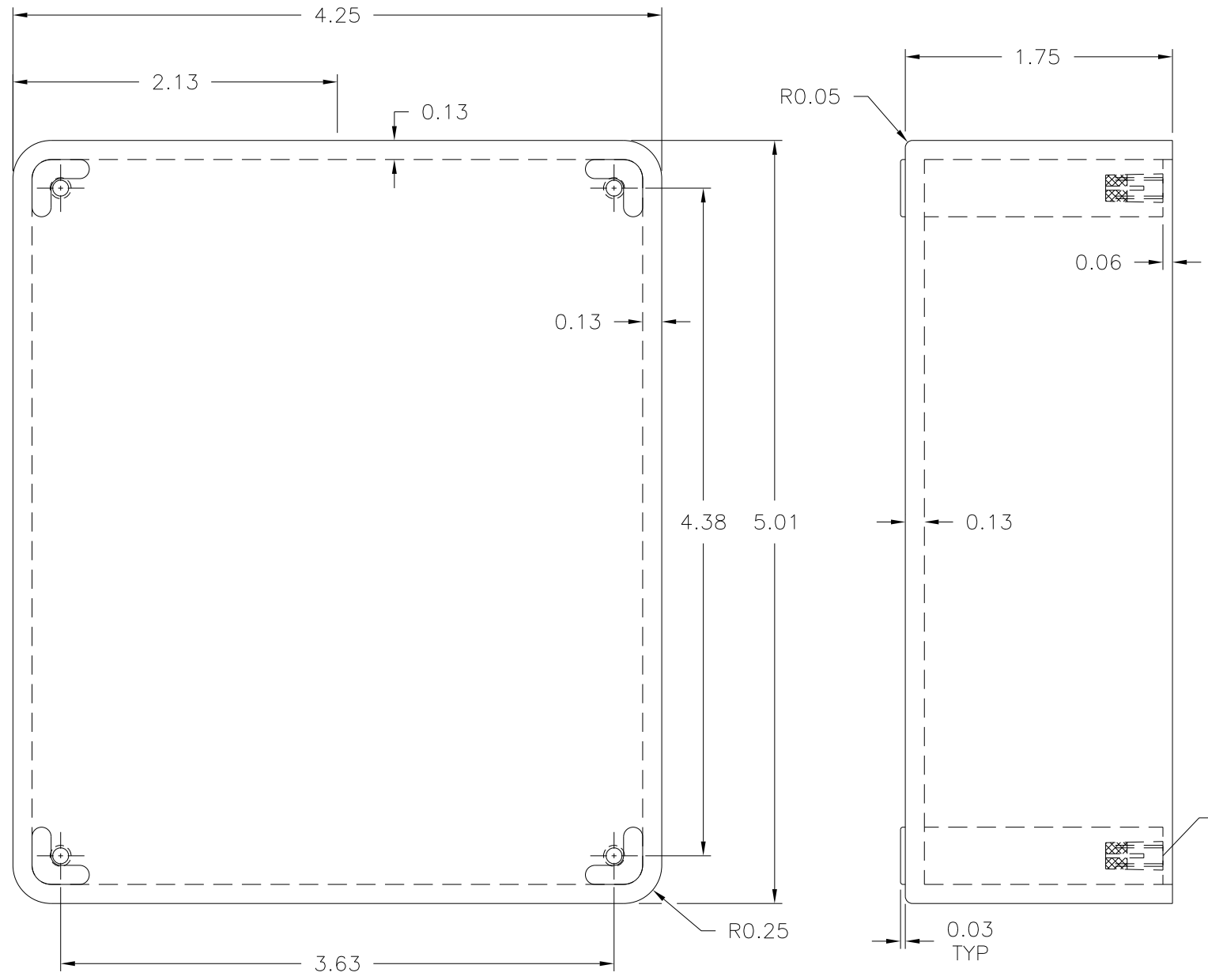


PART NAME: CASE SCALE: 1:1 DATE: 8/3/70 DR. BY A.B.

THIS DRAWING IS THE PROPERTY OF DAVIES MOLDING COMPANY, IS SUBMITTED SOLELY AS A DESIGN OR ENGINEERING PROJECT. WE ACCEPT NO RESPONSIBILITY WHATSOEVER FOR THE PRACTICAL APPLICATION OF THE PIECES MADE TO THIS DESIGN.



P/N 0230-A  
 BASE PART 0230-01  
 INSERT I0716 (4)



(A)

MATERIAL: #2535 PLENCO PHENOLIC (B35)  
 COLOR: BLACK

TOLERANCES: UNLESS OTHERWISE SPECIFIED	DO NOT SCALE DRAWING	A	ADDED BASE PART	JAM	4/26/13
		-	RE-DID REDRAW	TL	10/13/99
DECIMALS: X.XXX ± .005 X.XX ± .015	MM: X.XX ± 0.15MM X.X ± 0.4MM	-	UPDATED DWG.	HD	7/21/97
		-	CAD REDRAW	HD	11/13/92
FRACTIONS ± 1/64	ANG. ± 1°	CHANGES			