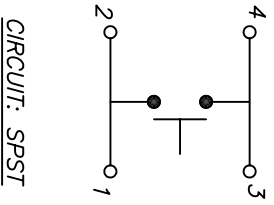
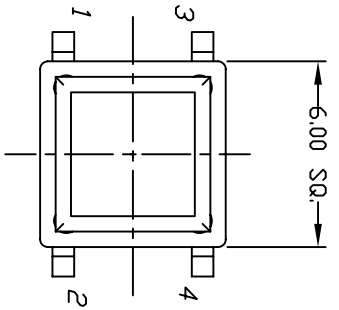
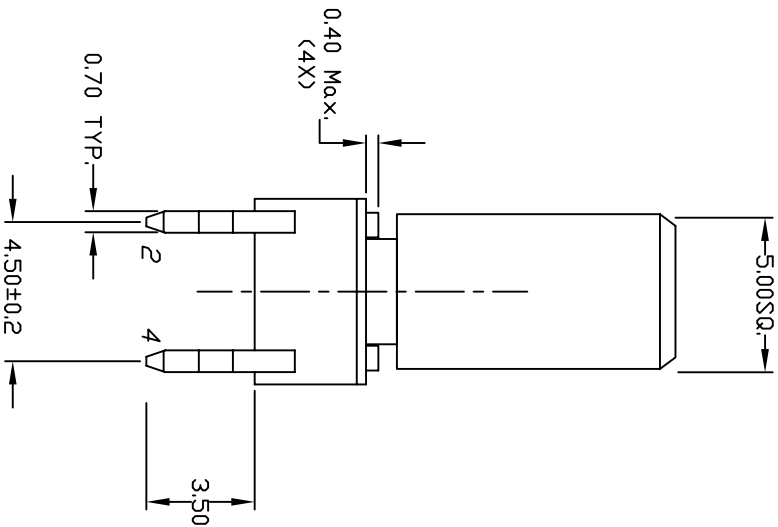
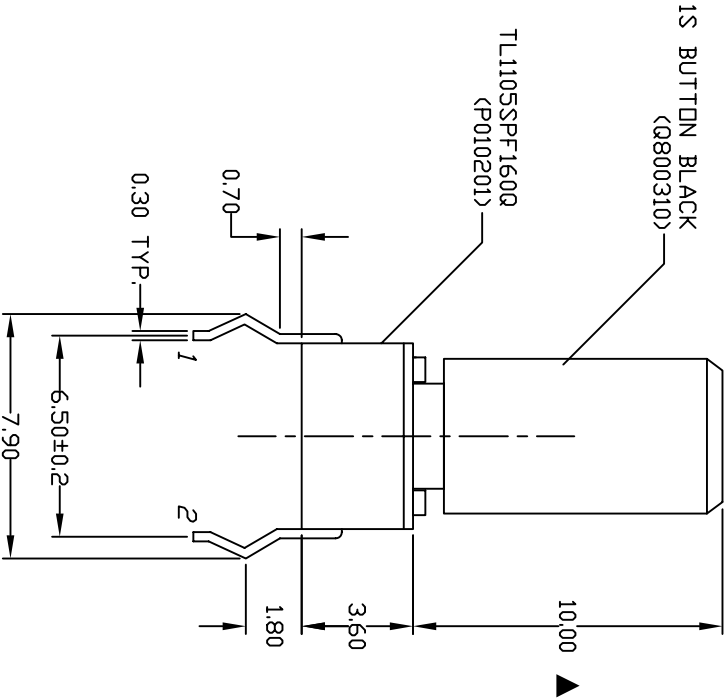


RECOMMENDED P.C.B. LAYOUT



NOTES:

1. ALL DIMENSIONS IN MM
2. GENERAL TOLERANCE: X.X=±0.4
X.XX=±0.25
3. TERM. NOS. FOR REF. ONLY
4. RATING: 50mA, @12V DC
5. TRAVEL: 0.25±0.1mm
6. OPERATING FORCE: 160±50gf
7. CONTACT RESISTANCE: 100 milli-OHMS Max.
8. ELECTRICAL LIFE: 100,000 CYCLES MIN.
9. DESIGNATE MAJOR DIMENSIONS



E-SWITCH®

| | | | | |
|------|---------|-----------------------------|----------|------|
| B | 15390 | UPDATED CAP TO NEW SUPPLIER | 10/14/05 | PH |
| A | 11777 | RELEASED FOR PRODUCTION | 10/23/01 | CJB |
| REV. | ECN No. | DESCRIPTION | DATE | CHKD |

THE INFORMATION CONTAINED IN THIS DOCUMENT IS PROPRIETARY TO E-SWITCH AND IS NOT TO BE COPIED OR TRANSFERRED

TITLE

TL1105 SP F160 Q (1S/BLK)

SCALE 4:1

DATE 10/23/01

DR CJB

DWG XP0221A

REV B