

PART NAME: HANDLE

SCALE: 1:1

DATE: 6/13/74

DR. BY NH

DESIGNERS & MANUFACTURERS
OF KNOBS, HANDLES, CASES &
CUSTOM PLASTIC COMPONENTS

P/N 3090-J

THIS DRAWING IS THE PROPERTY OF DAVIES MOLDING COMPANY. IS SUBMITTED SOLELY AS A DESIGN OR ENGINEERING PROJECT.
WE ACCEPT NO RESPONSIBILITY WHATSOEVER FOR THE PRACTICAL APPLICATION OF THE PIECES MADE TO THIS DESIGN.

DO NOT SCALE DRAWING

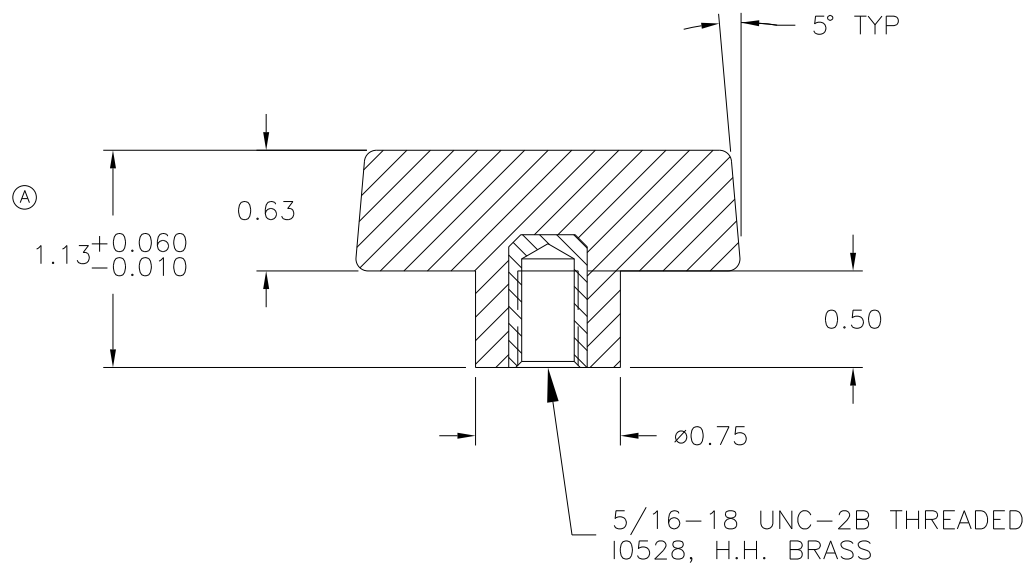
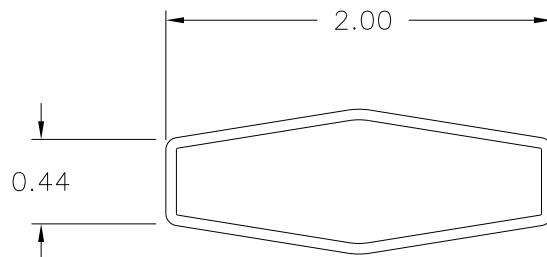
M^{NO.} 5904

CAVITY 3090

PLUNGER 3090

PINS 3090&3090-4

INSERT 10528

RAIL AND
PILLAR SPACERS .375MATERIAL: G.P. PHENOLIC (B11)
COLOR: BLACK

TOLERANCES: UNLESS OTHERWISE SPECIFIED		DO NOT SCALE DRAWING			
DECIMALS: X.XXX ± .005 X.XX ± .015		MM: X.XX ± 0.15MM X.X ± 0.4MM		A	ADDED TOLERANCE DD 9/15/05
FRACTIONS ± 1/64		ANG. ± 1°		-	REDRAWN TL 11/10/99
				-	CAD REDRAW HD 6/7/95
CHANGES					