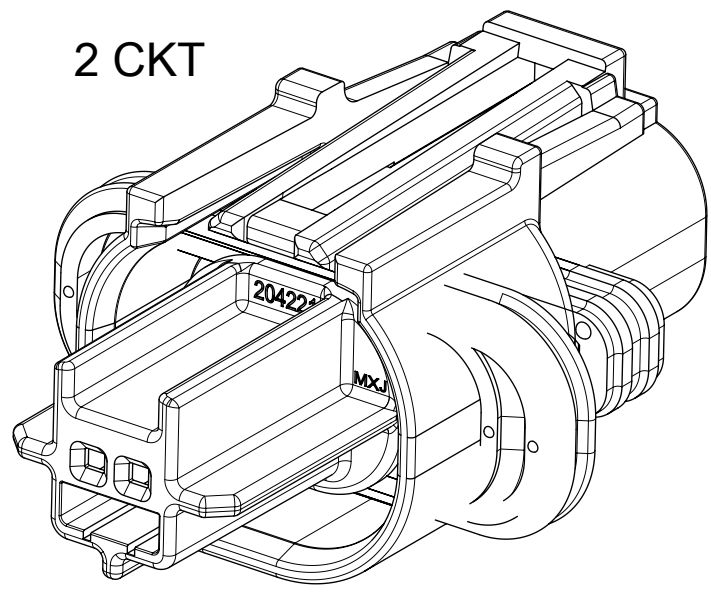
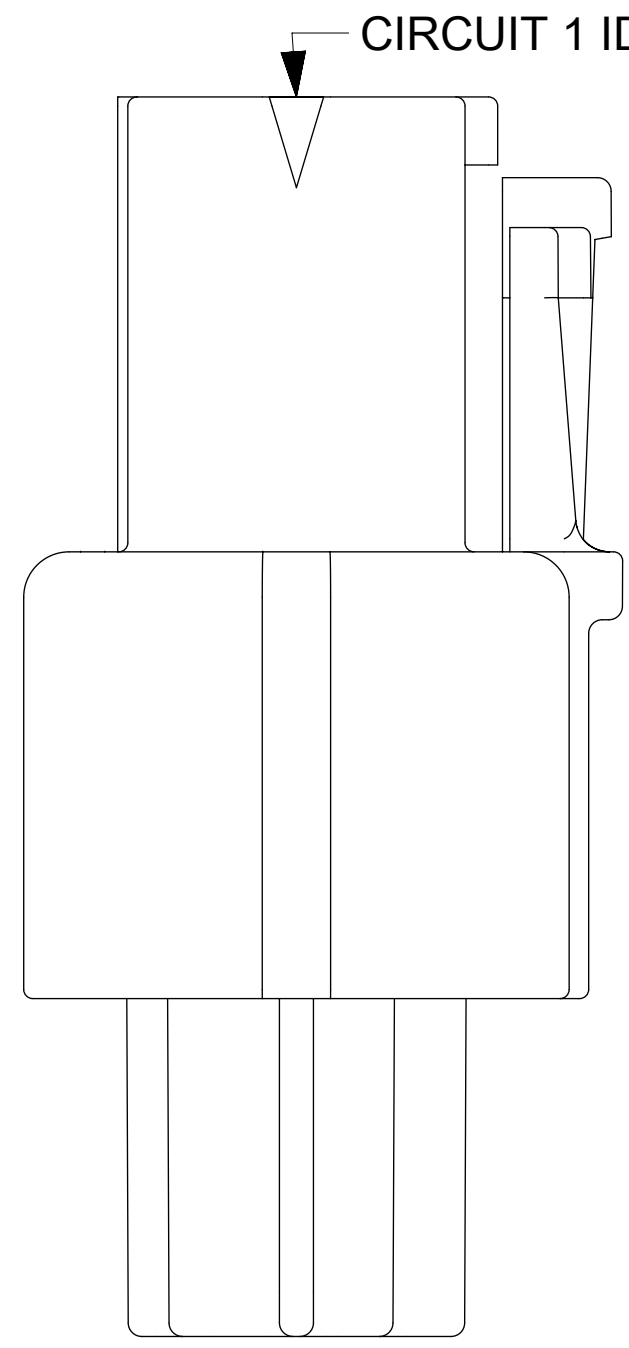


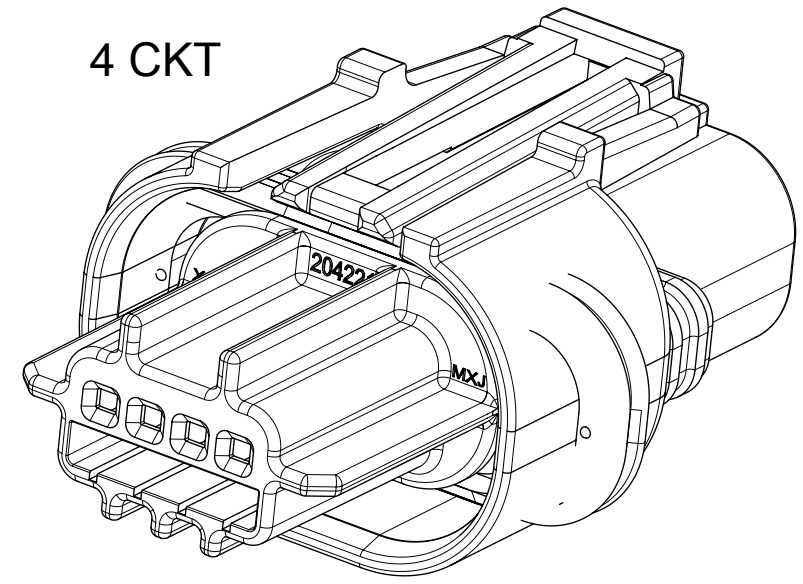
CIRCUIT SIZES
SCALE 4:1



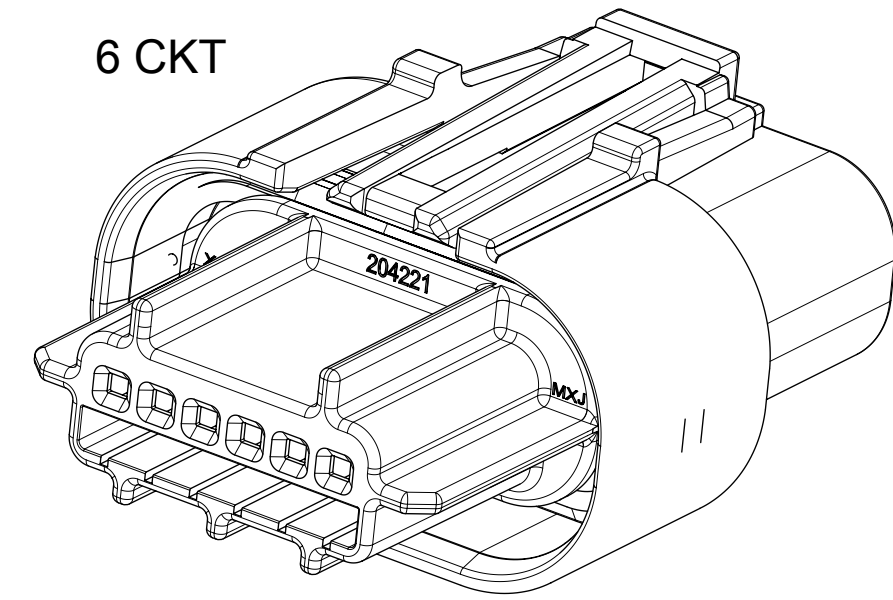
2 CKT



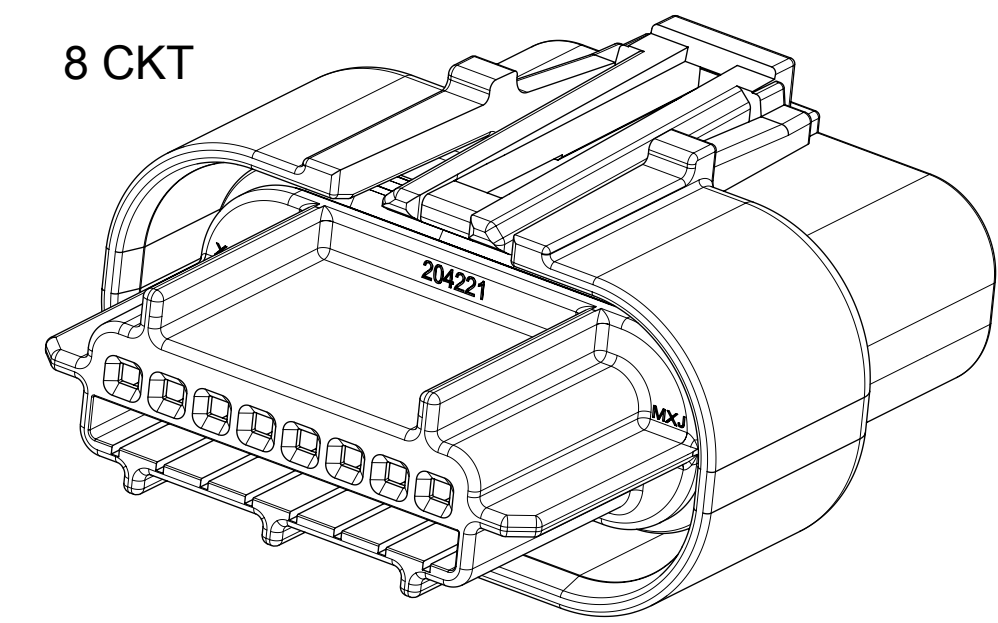
CIRCUIT 1 ID



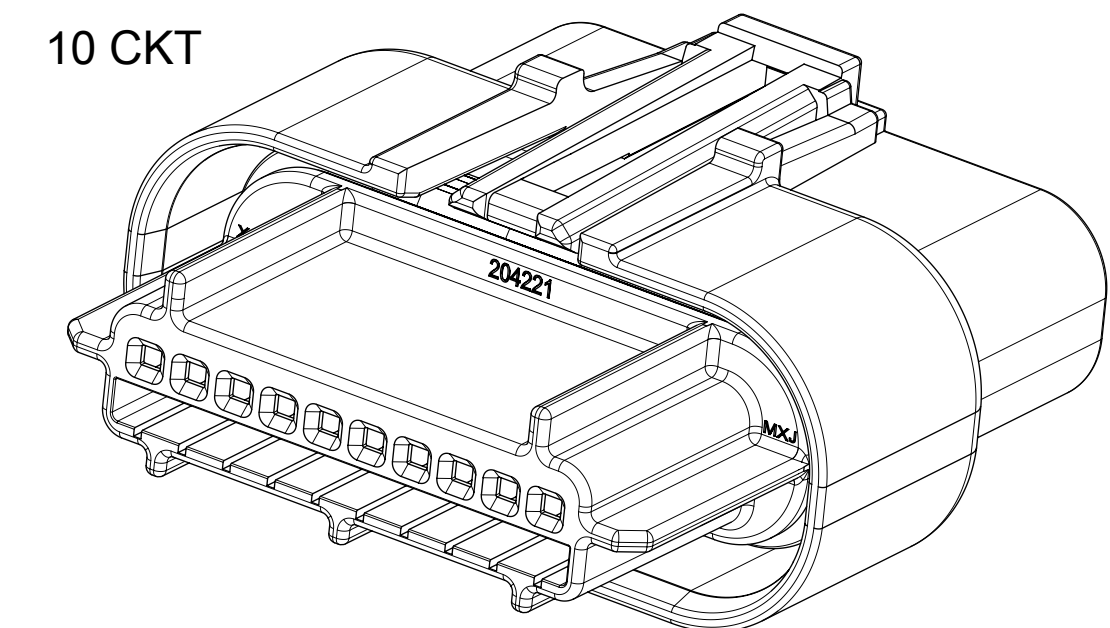
4 CKT



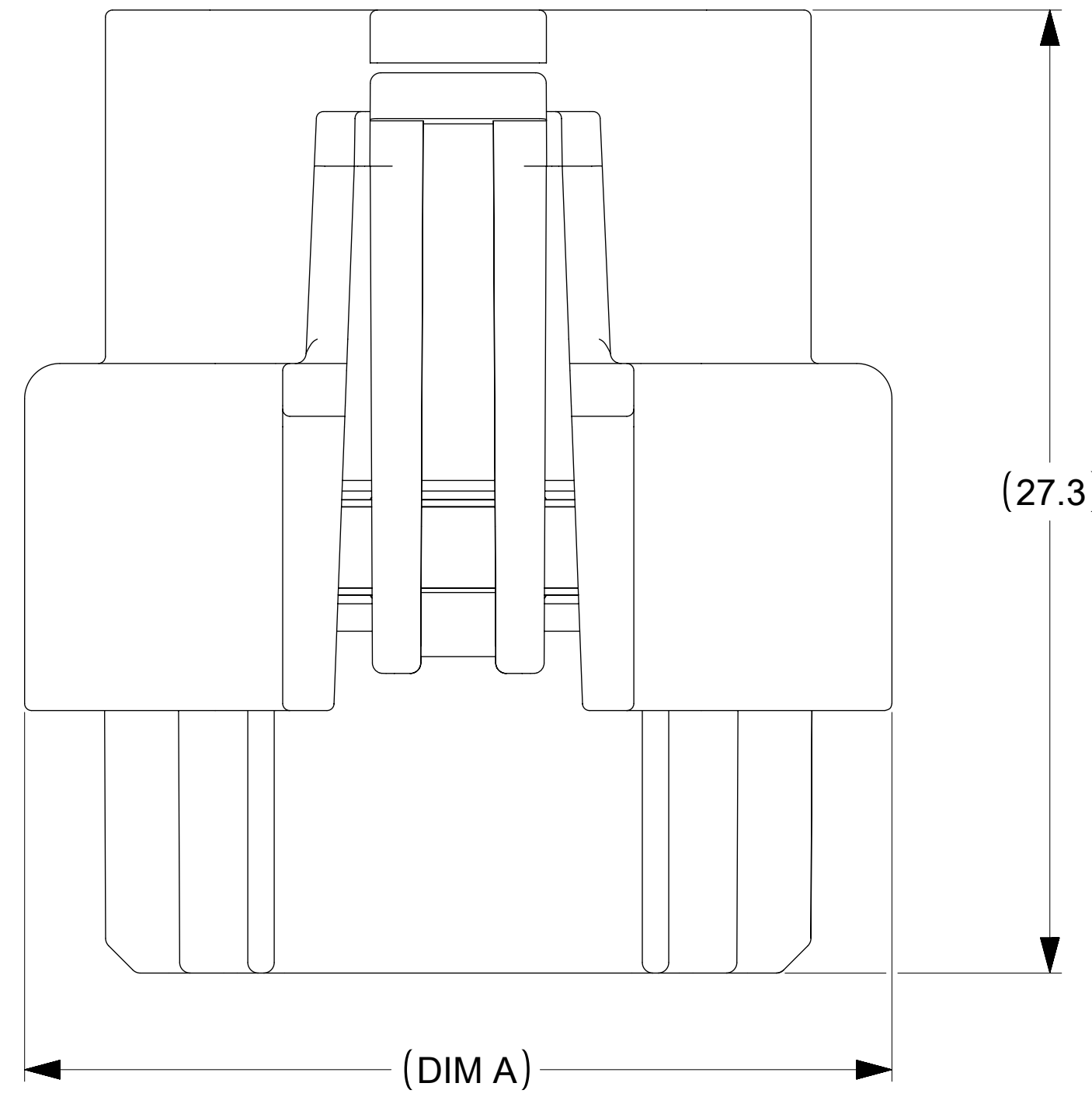
6 CKT



8 CKT

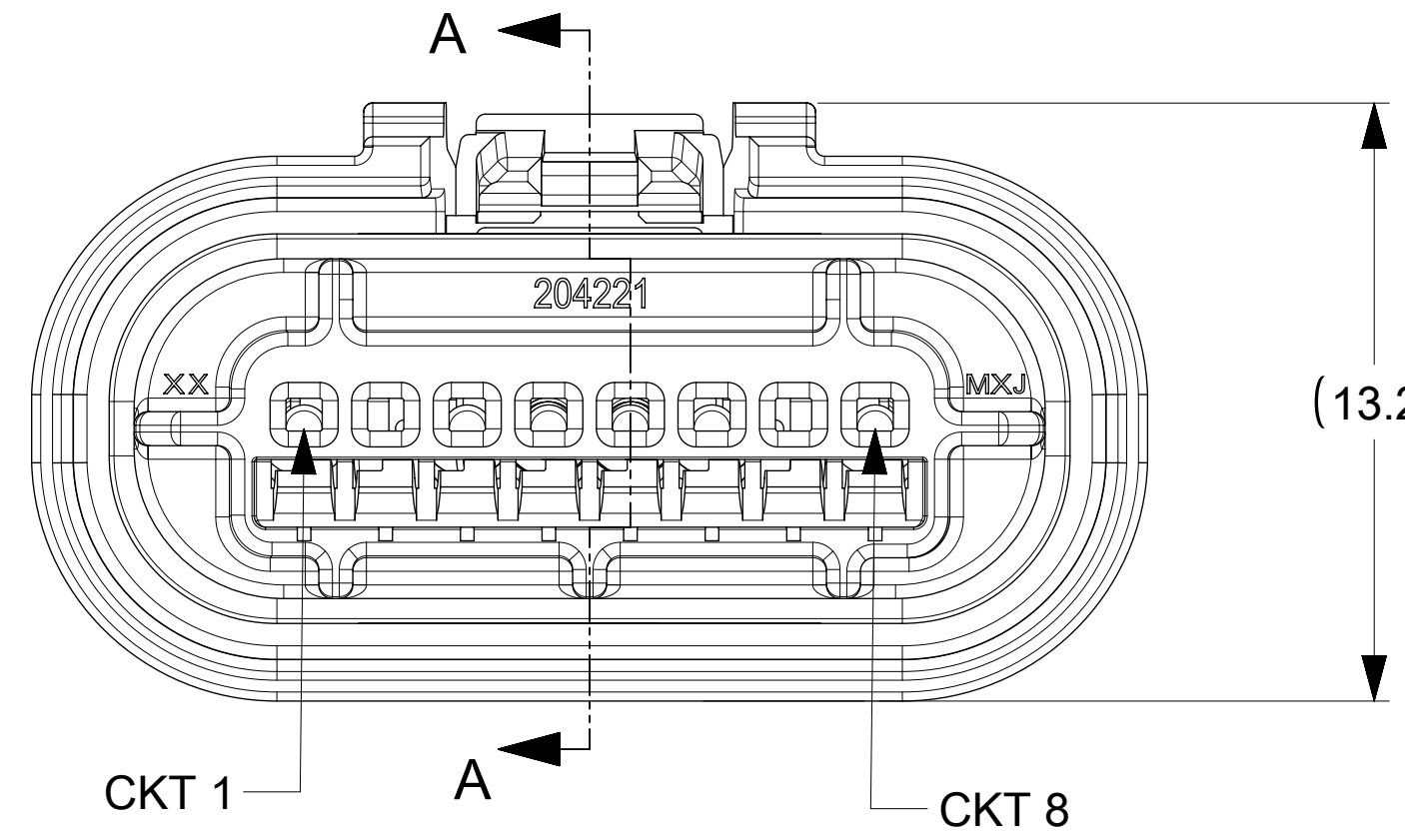


10 CKT



(27.3)

(DIM A)

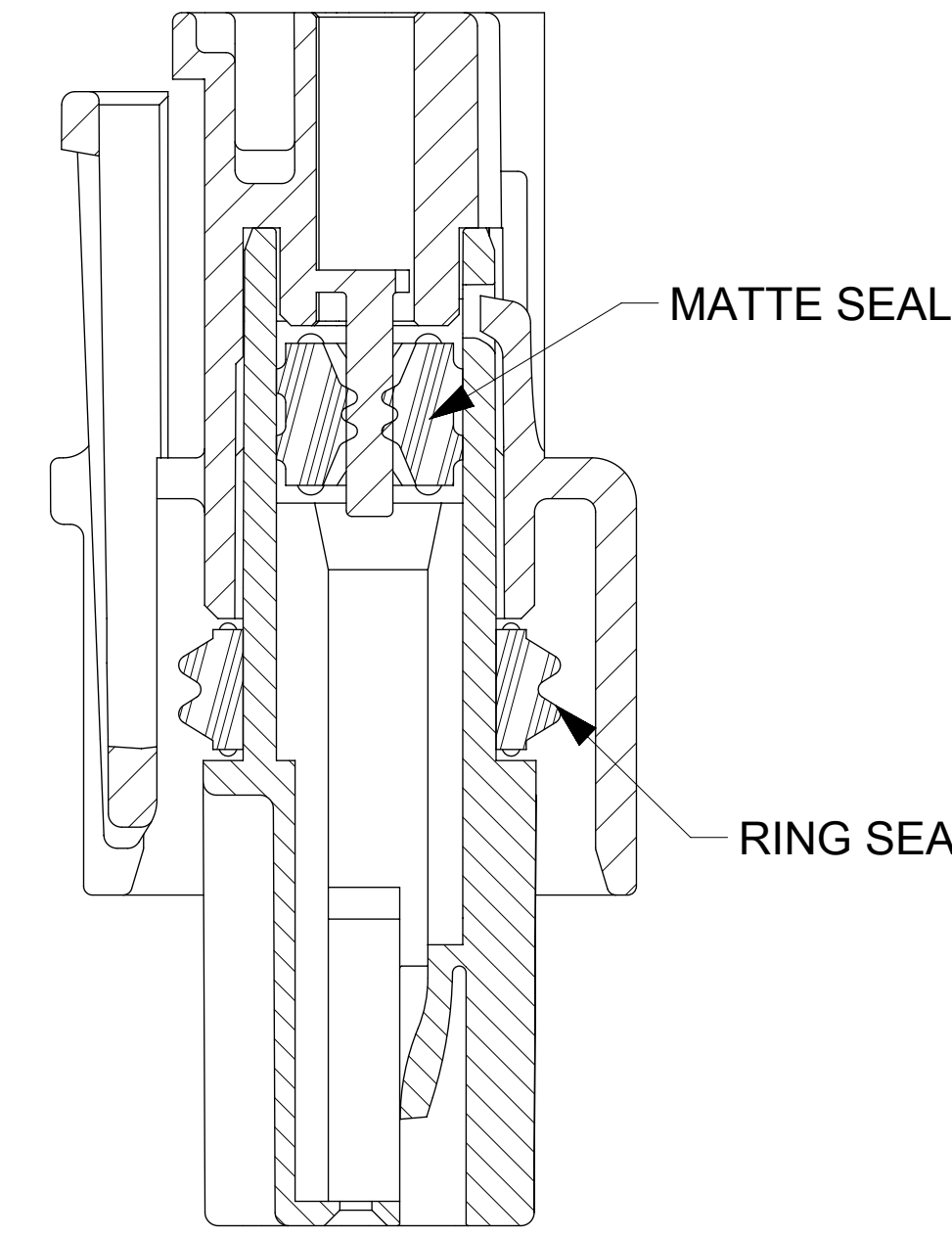


(13.2)

CKT 1

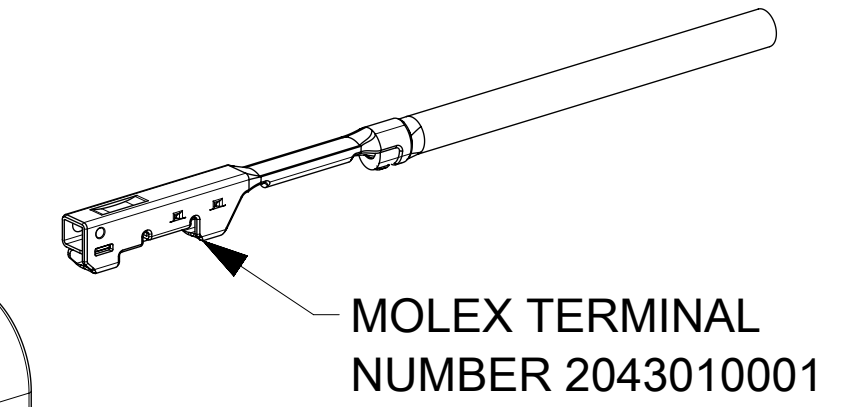
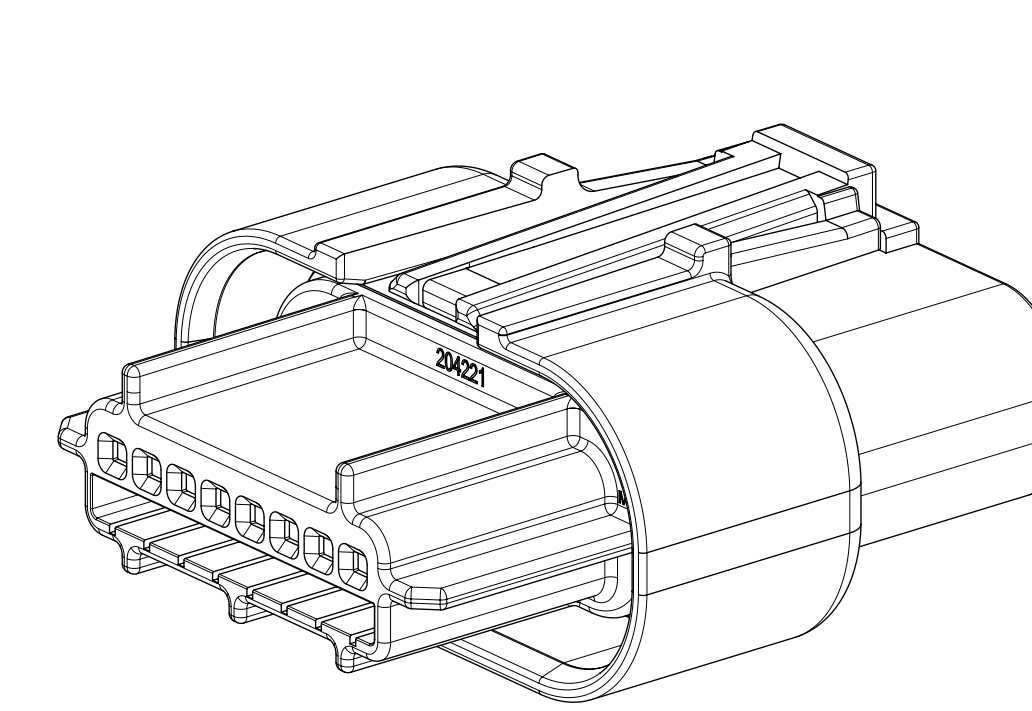
CKT 8

SECTION A-A
TERMINAL SHOWN INSERTED
INTO HOUSING



MATTE SEAL

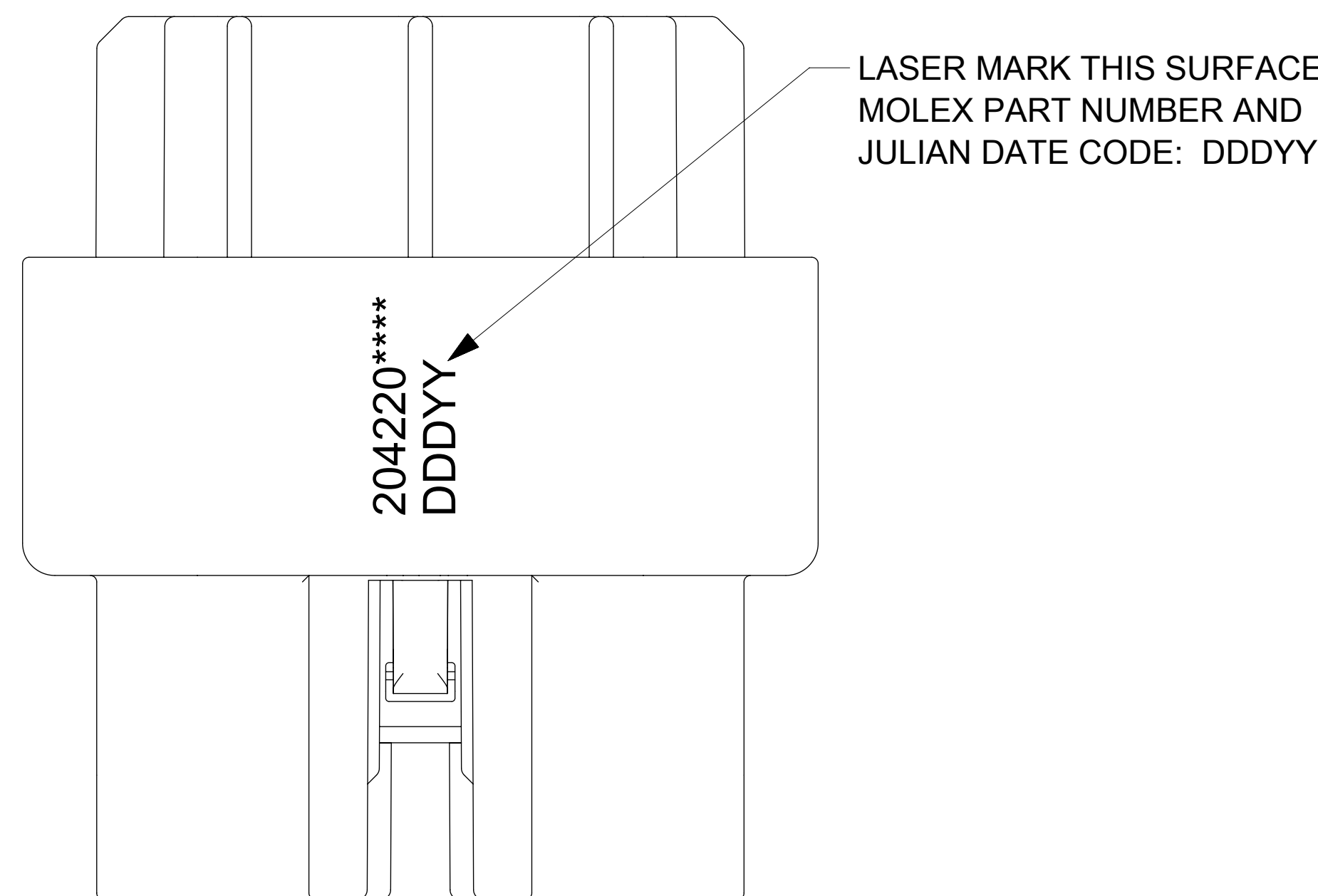
RING SEAL



MOLEX TERMINAL
NUMBER 2043010001

NOTES:

1. MATERIAL:
HOUSING & REAR SEAL CAP: NYLON, UL94V-0, COLOR: BLACK
SEALS: INHERENTLY LUBRICATED SILICONE
2. FINISH: NONE
3. PRODUCT SPECIFICATION: 2042200000-PS
4. APPLICATION SPECIFICATION: 2042200000-AS
5. PACKAGING SPECIFICATION: 2042200000-PK
6. PART MATES WITH PLUG SERIES 204223.
7. PART USES TERMINAL PART NUMBER 2043010001.
8. PART CONFORMS TO COSMETIC SPEC: PS-45499-002 CLASS C



LASER MARK THIS SURFACE
MOLEX PART NUMBER AND
JULIAN DATE CODE: DDDYY

204220****
DDDDYY

CIRCUIT SIZE	MATERIAL NUMBER	VOID IN CKT	DIM A
2	204220-0002	NONE	13.8
4	204220-0004	NONE	17.4
6	204220-0006	NONE	21.0
8	204220-0008	NONE	24.6
10	204220-0010	NONE	28.2
4	204220-4004	4	17.4
6	204220-6006	6	21.0
8	204220-8008	8	24.6
10	204220-1110	10	28.2

SYMBOLS	THIS DRAWING CONTAINS INFORMATION THAT IS PROPRIETARY TO MOLEX ELECTRONIC TECHNOLOGIES, LLC AND SHOULD NOT BE USED WITHOUT WRITTEN PERMISSION		CURRENT REV DESC: ADD 13.2 REF	
DIMENSION UNITS	SCALE	EC NO:	DRWN:	2018/05/30
mm	6:1	177472	KSAMIEC	2018/06/01
GENERAL TOLERANCES (UNLESS SPECIFIED)		CHK'D:	FSMITH	2018/06/01
ANGULAR TOL	± °	APPR:	FSMITH	2018/06/01
4 PLACES	±	INITIAL REVISION:		
3 PLACES	±	DRWN:	TGREGORI	2017/04/26
2 PLACES	± 0.2	APPR:	RHODGE	2018/01/26
1 PLACE	±	DRAFT WHERE APPLICABLE MUST REMAIN WITHIN DIMENSIONS		
0 PLACES	±	THIRD ANGLE PROJECTION	DRAWING	SERIES
DRAFT WHERE APPLICABLE MUST REMAIN WITHIN DIMENSIONS		⊕	D-SIZE	204220
DOCUMENT NUMBER		DOC TYPE		DOC PART
2042200000-SD		PSD		000
MATERIAL NUMBER		CUSTOMER		SHEET NUMBER
2042200000-SD		GENERAL MARKET		1 OF 1

molex

RECEPTACLE ASSEMBLY
SQUBA 1.8

PRODUCT CUSTOMER DRAWING

DOCUMENT NUMBER DOC TYPE DOC PART REVISION

2042200000-SD PSD 000 A5

MATERIAL NUMBER CUSTOMER SHEET NUMBER

2042200000-SD GENERAL MARKET 1 OF 1