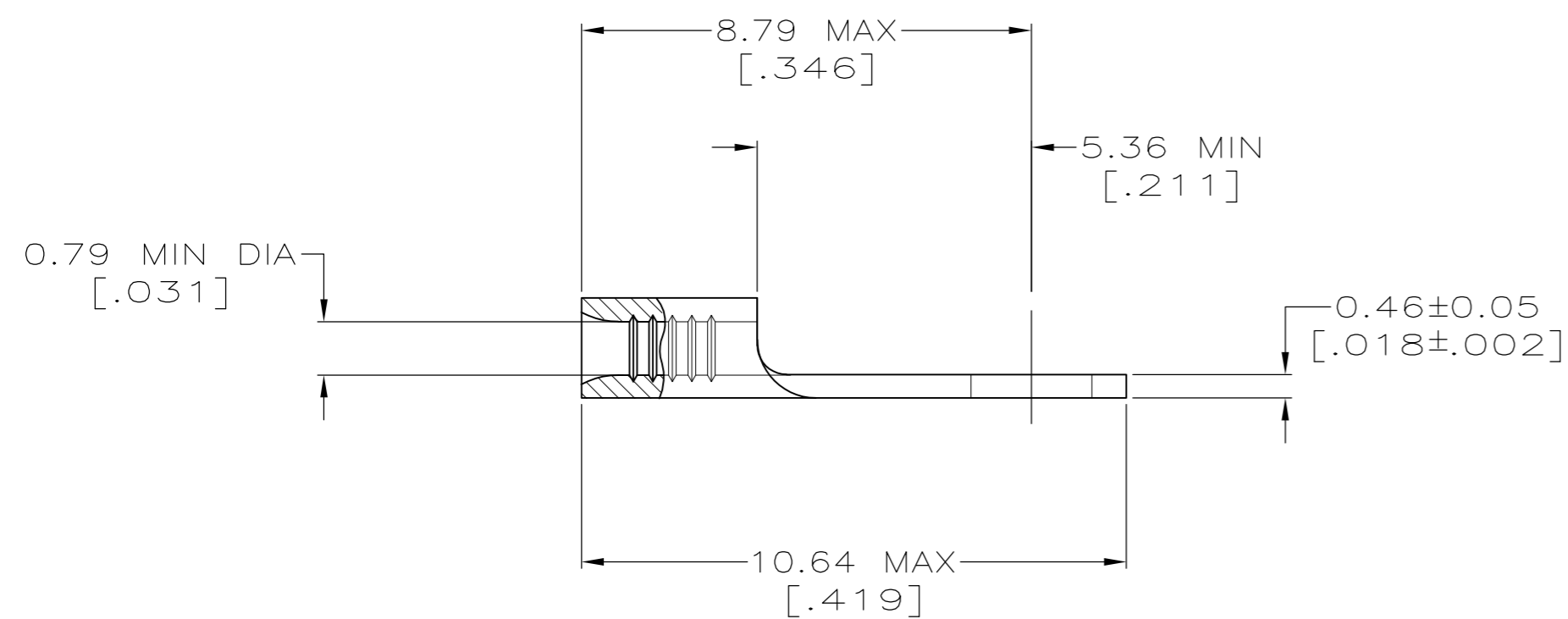
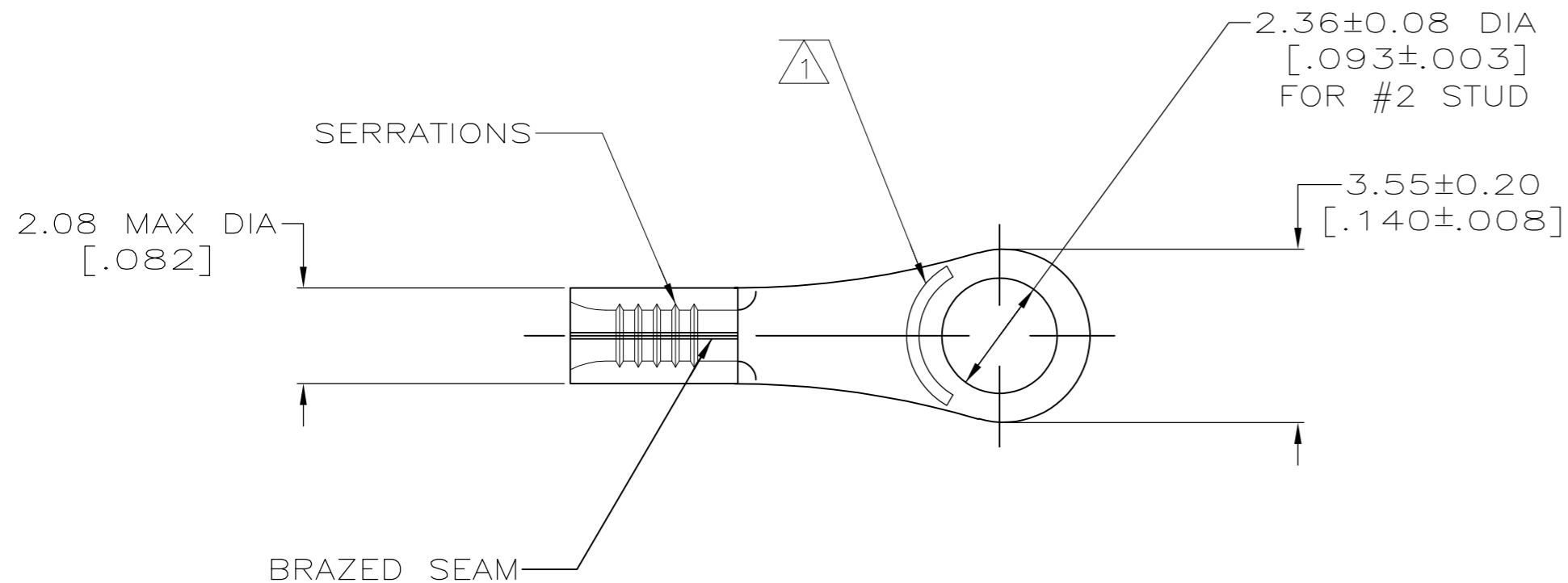


THIS DRAWING IS UNPUBLISHED. RELEASED FOR PUBLICATION
 © COPYRIGHT - By - ALL RIGHTS RESERVED.

| LOC | | DIST | | REVISIONS | | | |
|-----|-----|-------------|---------------------------|-----------|------|-----|--|
| P | LTR | DESCRIPTION | DATE | DWN | APVD | | |
| G | 14 | H2 | REVISED PER ECO-11-004917 | 11MAR11 | RK | HMR | |

METRIC
 DIMENSIONS LISTED IN mm [INCHES]



| | |
|--------------------------------|---------------------------|
| AMP WIRE RANGE | E13288 Listed |
| 26-22 AWG SOLID OR STRANDED | NOT LISTED |
| LR7189 Certified | MILITARY P/N AND CLASS |
| NOT CERTIFIED | NOT APPLICABLE |

- 1 STAMP AMP APPROX AS SHOWN
- 2 TIN PLATE 0.00254[.000100] MIN THK PER MIL-T-10727
- 3 GOLD PLATE 0.00254[.000100] MIN THK PER MIL-G-45204 OVER NICKEL PLATE 0.00127[.000050] MIN THK PER QQ-N-290
- 4 CLEANED, UNPLATED

| - | LOOSE PIECE | 4 | 50334-3 |
|------|------------------|--------|-------------|
| 100 | LOOSE PIECE, BOX | 2 | 8-50334-0 |
| - | LOOSE PIECE | 3 | 50334-2 |
| 5000 | ON TAPE, REEL | 2 | 50334-1 |
| - | LOOSE PIECE | 2 | 50334 |
| QTY | PACKAGE TYPE | FINISH | PART NUMBER |

| | | |
|--|--|---|
| AMP INCORPORATED CUSTOMER SERVICE SYSTEMS | | MAX RECOMMENDED OPERATING TEMPERATURE: 170° C MAX |
| FOR ADDITIONAL PRODUCT INFORMATION OR COPIES OF DRAWINGS AND TECHNICAL DOCUMENTS | PRODUCT INFORMATION CENTER 1-800-522-6752 | VOLTAGE RATING: NOT APPLICABLE |
| FOR APPLICATION TOOLING INFORMATION | TOOLING ASSISTANCE CENTER 1-800-722-1111 | WIRE CROSS SECTIONAL AREA RANGE: 0.1-0.41mm ² [202-810] CIR MILS SOLID OR STRANDED |
| FOR ORDER ENTRY | 1-800-526-5142 | THIS DRAWING IS A CONTROLLED DOCUMENT FOR AMP INCORPORATED. IT IS SUBJECT TO CHANGE AND THE CONTROLLING ENGINEERING ORGANIZATION SHOULD BE CONTACTED FOR THE LATEST REVISION. |

| | | | | |
|---|--|-------------------------------|-----------------------|-----------------------|
| THIS DRAWING IS A CONTROLLED DOCUMENT. | | DWN TA BRINKMAN 3-9-93 | TE Connectivity | |
| DIMENSIONS: -INCHES- | | CHK DA PATTERSON 3-9-93 | NAME | |
| TOLERANCES UNLESS OTHERWISE SPECIFIED: 0 PLC ± - 1 PLC ± - 2 PLC ± - 3 PLC ± - 4 PLC ± - ANGLES ± - | | APVD - | PRODUCT SPEC - | |
| MATERIAL COPPER PER ASTM B-152 | | FINISH ANNEALED | APPLICATION SPEC - | RESTRICTED TO - |
| WEIGHT - | | SIZE A2 | CAGE CODE 00779 | DRAWING NO C=50334 |
| CUSTOMER DRAWING | | SCALE 8:1 | SHEET 1 of 1 | REV H2 |