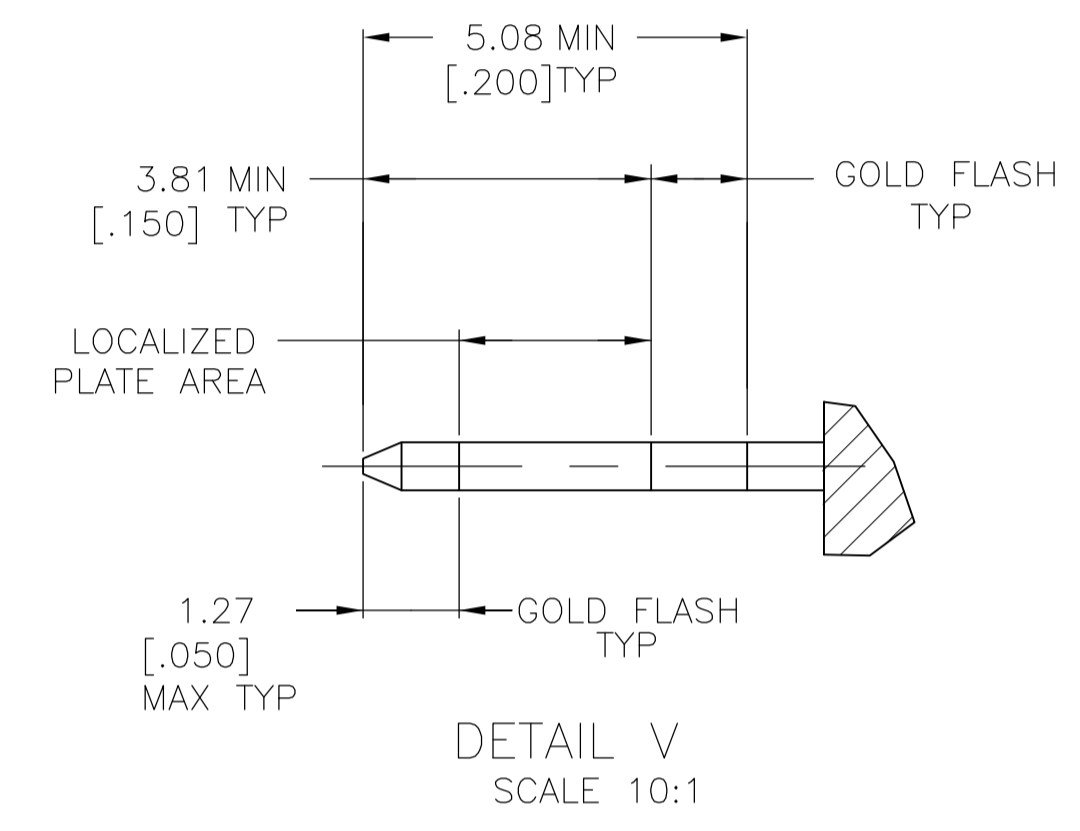
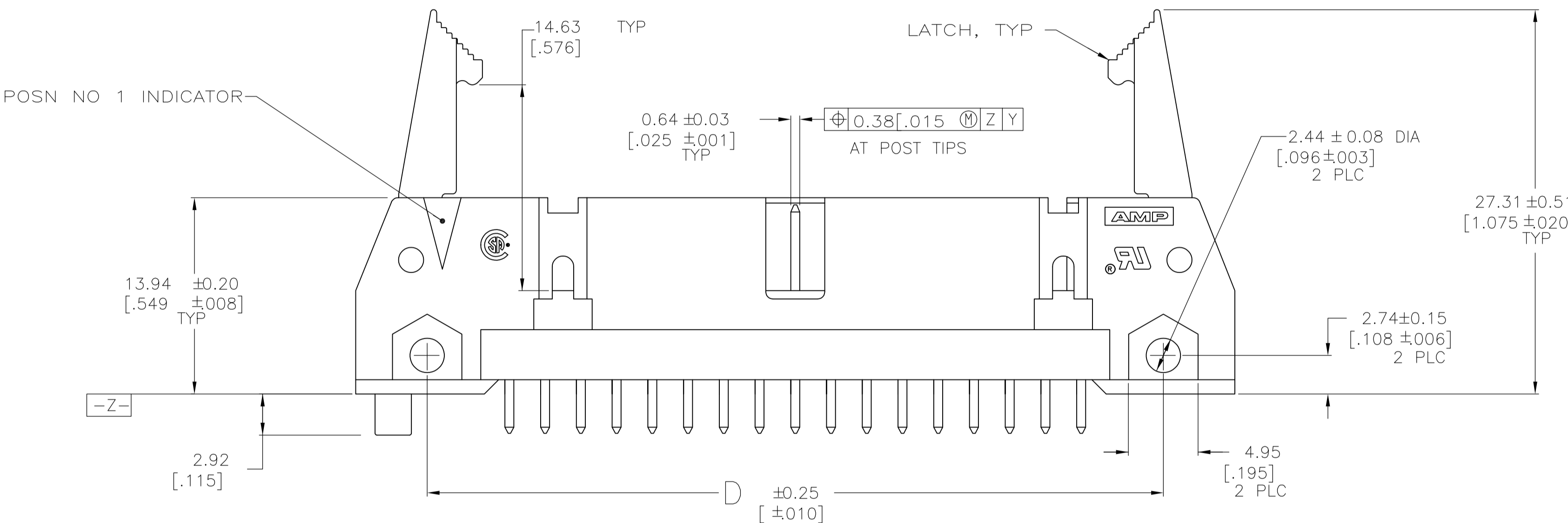
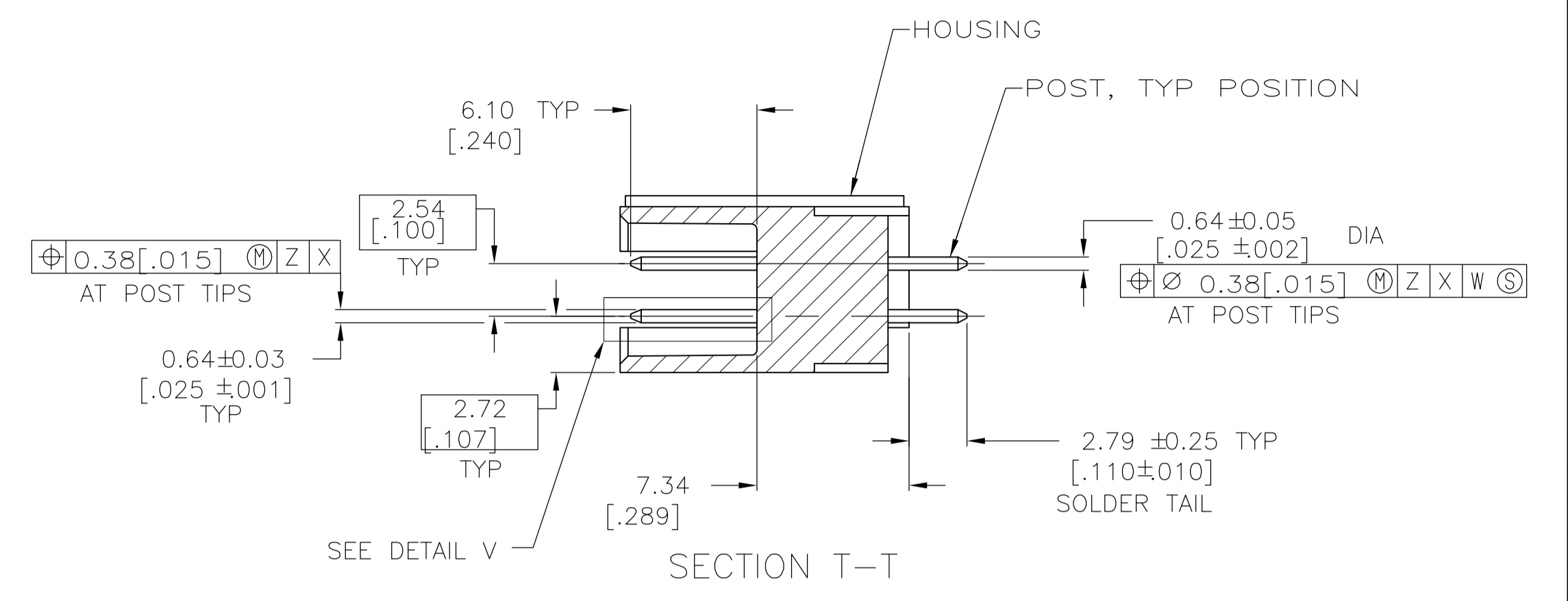
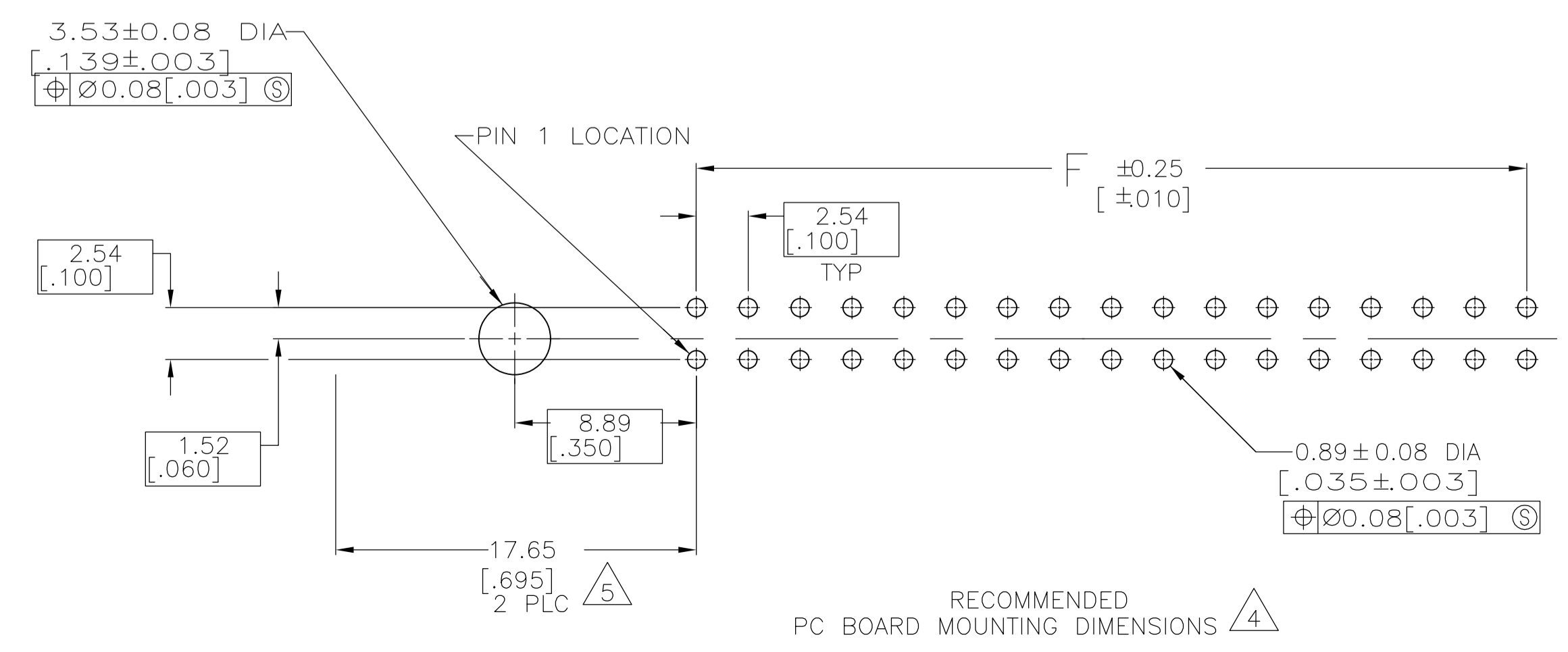
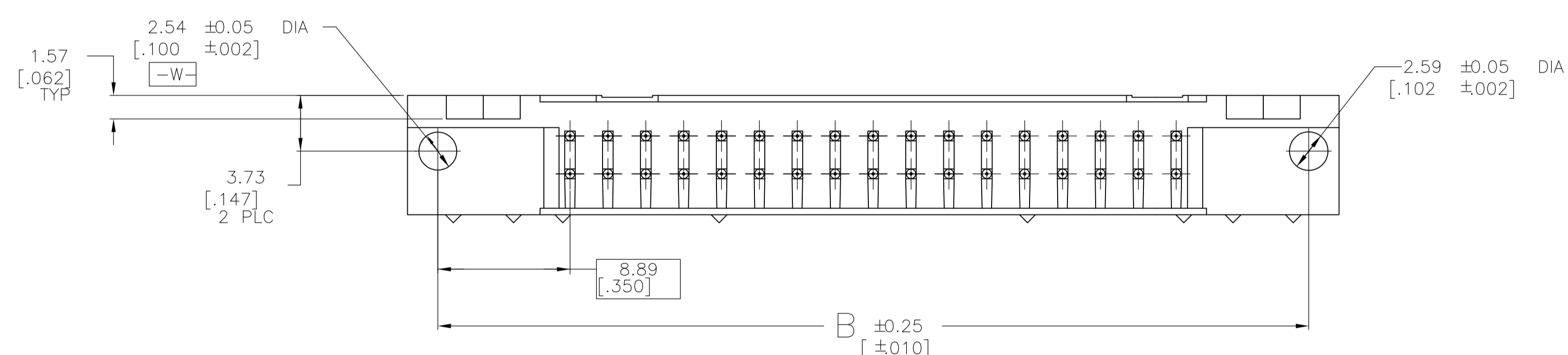


EJECTION LATCHES OMITTED IN THIS VIEW FOR CLARITY



- 1 COORDINATE DIMENSION APPLIES FROM BASIC LOCATION.
- 2 10 AND 14 POSITION SIZES CONTAIN ONLY ONE SLOT FOR SNAP-IN POLARIZER (MILITARY POLARIZATION) LOCATED AS SHOWN.
- 3 10 POSITION SIZES CONTAIN ONLY ONE SLOT FOR DUAL POLARIZATION, LOCATED AS SHOWN.
- 4 RECOMMENDED PRINTED CIRCUIT BOARD THICKNESS IS 1.57 [.062].
- 5 DISTANCE REQUIRED BY EJECTION LATCHES IN THE OPEN
- 6 HOUSING MATERIAL: GLASS FILLED NYLON OR POLYESTER, 94V-0 RATED. COLOR: BLACK. CONTACT MATERIAL: PH BRZ OR BRASS.
- 7 POSTS: GOLD FLASH OVER PALLADIUM-NICKEL PLATE, 0.38μm [.000015] MIN TOTAL ON THE LOCALIZED PLATE AREA, 2.54μm [.000100] MIN TIN-LEAD PLATE ON THE SOLDER-TAIL, 1.27μm [.000050] MIN NICKEL UNDERPLATE ON THE ENTIRE POST. OR 0.38μm [.000015] MIN GOLD PLATE ON THE LOCALIZED PLATE AREA, 2.54μm [.000100] MIN TIN-LEAD PLATE-TAIL, 1.27μm [.000050] MIN NICKEL UNDERPLATE ON THE ENTIRE POST.
- 8 OBSOLETE PARTS: OBSOLETE CIS STREAMLINING PER D.RENAUD/D.SINISI



OBSOLETE	48.26	59.94	70.10	66.04	55.88	40	678004-9
	[1.900]	[2.360]	[2.760]	[2.600]	[2.200]		
	40.64	52.32	62.48	58.42	48.26	34	678004-8
	[1.600]	[2.060]	[2.460]	[2.300]	[1.900]		
	22.86	34.54	44.70	40.64	30.48	20	678004-4
	[.900]	[1.360]	[1.760]	[1.600]	[1.200]		
	15.24	26.92	37.08	33.02	22.86	14	678004-2
	[.600]	[1.060]	[1.460]	[1.300]	[.900]		
	F	D	C	B	A	NO OF POSN	PART NUMBER

THIS DRAWING IS A CONTROLLED DOCUMENT. **Tyco Electronics** Tyco Electronics Corporation, Harrisburg, PA 17105-3608

APVD: H. ROSE, DATE: 6-10-97, NAME: H. ROSE

PRODUCT SPEC: HEADER ASSEMBLY, UNIVERSAL, AMP LATCH

APPLICATION SPEC: -

SIZE: A1, CAGE CODE: 00779, DRAWING NO: 678004, RESTRICTED TO: -

WEIGHT: -

CUSTOMER DRAWING, SCALE: 4:1, SHEET: 1 OF 1, REV: C