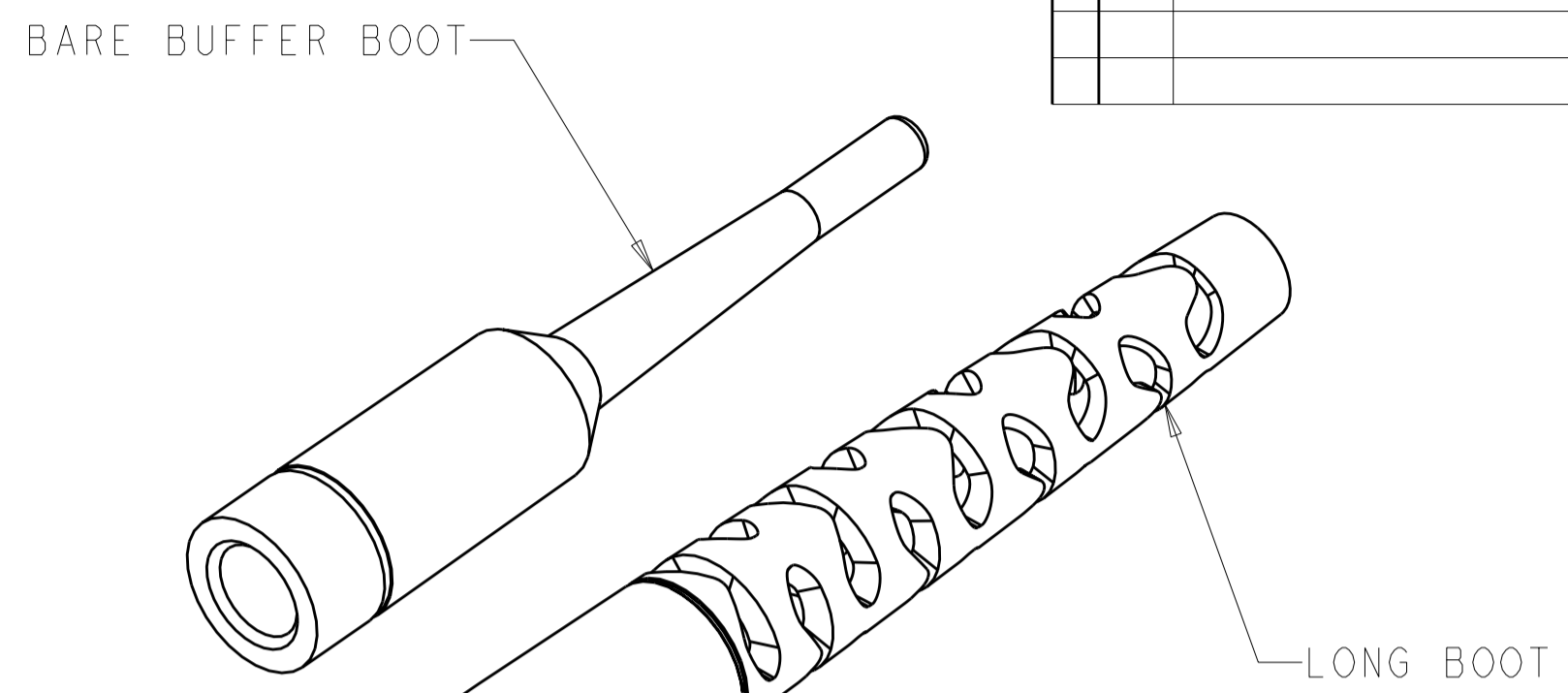


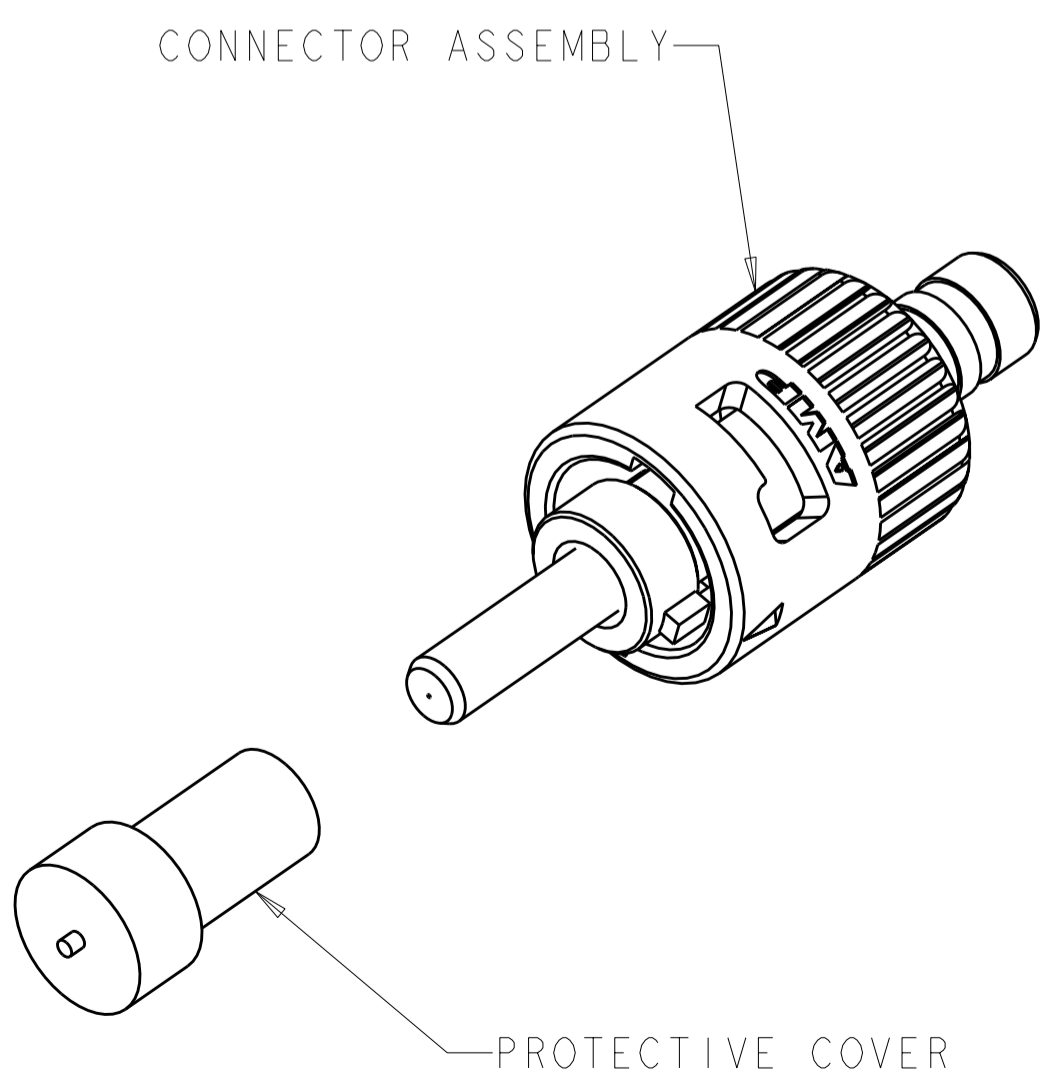
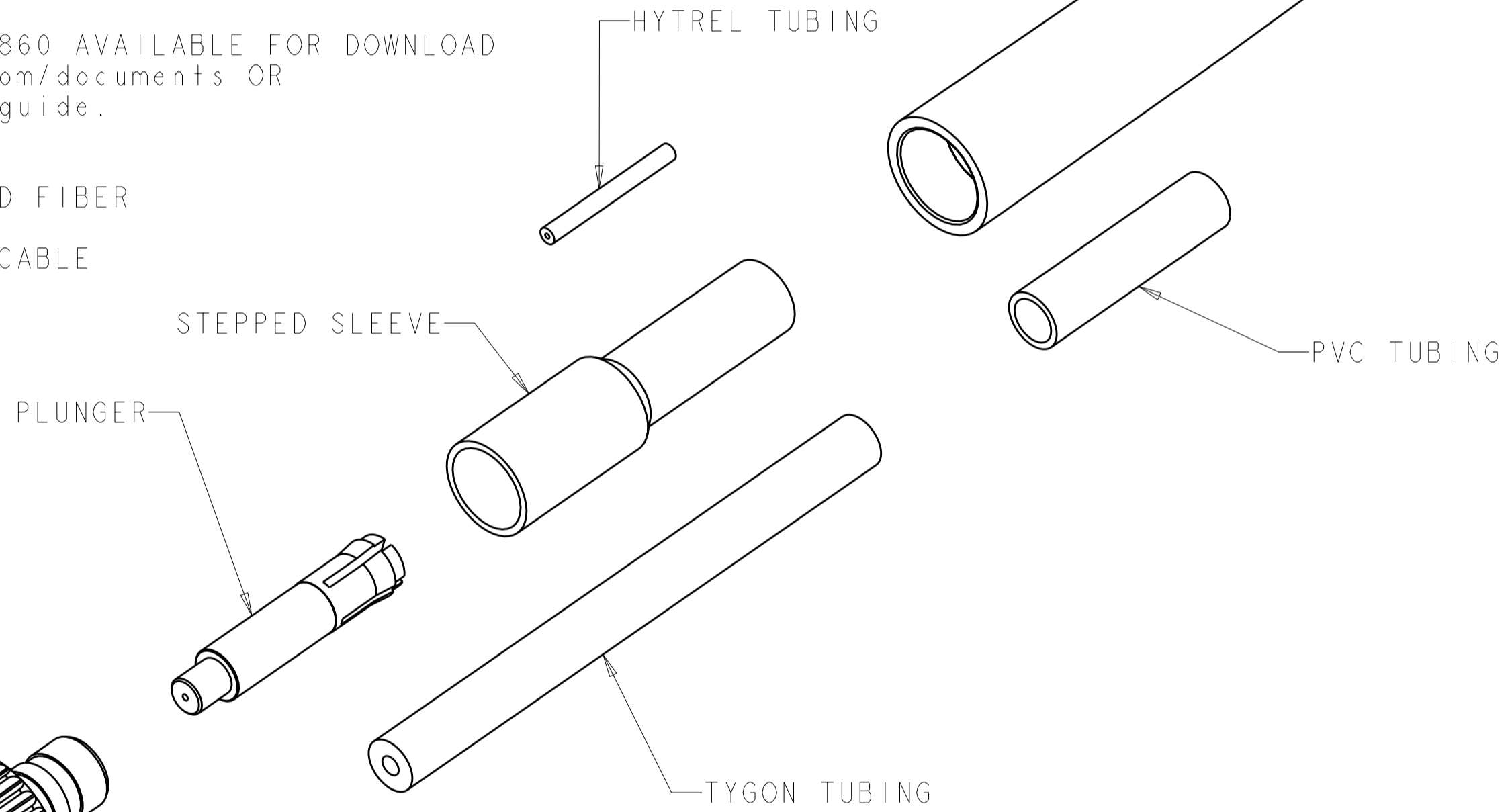
THIS DRAWING IS UNPUBLISHED. RELEASED FOR PUBLICATION 20
 © COPYRIGHT 20 BY TYCO ELECTRONICS CORPORATION. ALL RIGHTS RESERVED.

LOC		DIST		REVISIONS			
P	LTR	DESCRIPTION	DATE	DWN	APVD		
	A	RELEASE TO ACTIVE	08JUN2006	BB	LS		
	AI	ADD NOTE 2	13MAR2009	BB	SB		

⚠ MATERIAL:
 CONNECTOR ASSY
 REAR BODY: ALUMINUM ALLOY
 PLUNGER: ALUMINUM ALLOY
 FERRULE: CERAMIC
 COUPLING NUT: ZINC, NICKEL PLATED
 INTERNAL COMPONENTS: RUBBER, COLOR: BLACK
 SPRING: STAINLESS STEEL
 PROTECTIVE COVER: LDPE, COLOR: BLACK, NON-FR
 CRIMP EYELET: COPPER, NICKEL PLATED
 POLYMER TUBING: TYGON, COLOR: CLEAR
 HYTREL, COLOR: WHITE
 PVC, COLOR: BLACK
 STRAIN RELIEF: POLYOLEFIN ELASTOMER, COLOR: BLACK, NON-FR
 BOOT: POLYOLEFIN ELASTOMER, COLOR: BLACK*
 *UL94 V-0 RATED AT QUALIFYING THICKNESS.



- INSTRUCTION SHEET: 408-9860 AVAILABLE FOR DOWNLOAD AT www.tycoelectronics.com/documents OR www.ampnetconnect.com/foguide.
- THIS KIT WILL TERMINATE:
 900um TIGHT BUFFERED FIBER
 250um COATED FIBER
 2.0-3.0mm JACKETED CABLE



125um	250um/0.8-1.0mm	5504001-1
FIBER SIZE	BUFFER SIZE	PART NUMBER

THIS DRAWING IS A CONTROLLED DOCUMENT FOR TYCO ELECTRONICS CORPORATION. IT IS SUBJECT TO CHANGE AND THE CONTROLLING ENGINEERING ORGANIZATION SHOULD BE CONTACTED FOR THE LATEST REVISION.		DWN B. BRIGGS 20 JUN 2005	Tyco Electronics Harrisburg, PA 17105-3608	
DIMENSIONS: mm		CHK L. SAUERWEIN 20 JUN 2005	NAME CONNECTOR KIT, XTC, 125um, CERAMIC, MULTIMODE	
TOLERANCES UNLESS OTHERWISE SPECIFIED: 0 PLC ± 1 PLC ± 2 PLC ± 3 PLC ± 4 PLC ± ANGLES ± FINISH		APVD S. BUCHTER 20 JUN 2005	RESTRICTED TO	
MATERIAL		PRODUCT SPEC	SIZE A200779	CAGE CODE C-5504001
⚠		APPLICATION SPEC	DRAWING NO 5504001	
		WEIGHT	SCALE 4:1	
		CUSTOMER DRAWING	SHEET 1 OF 1 REV A1	