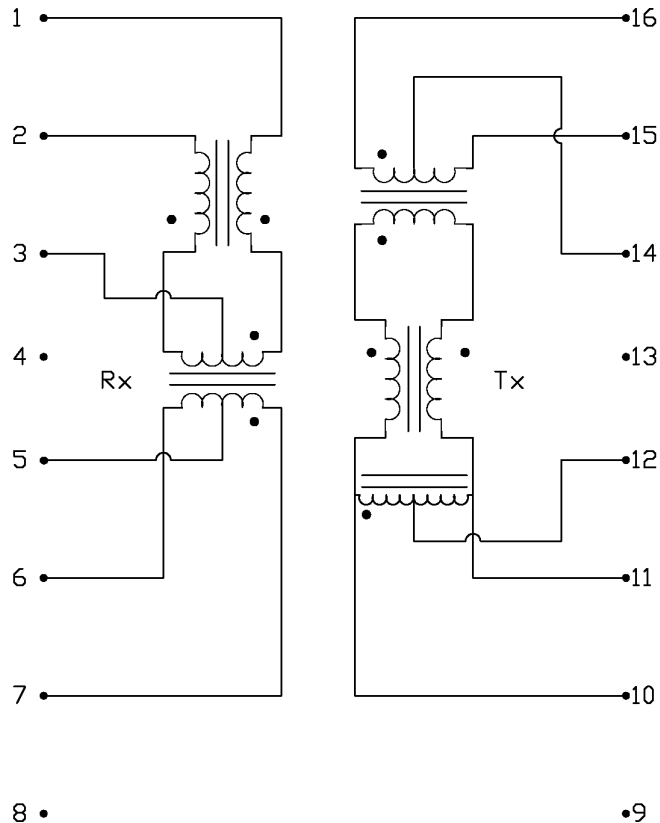


THE INFORMATION CONTAINED HEREIN IS CONSIDERED "PROPRIETARY" TO BEL FUSE INC. AND SHALL NOT BE COPIED, REPRODUCED OR DISCLOSED WITHOUT THE WRITTEN APPROVAL OF BEL FUSE INC.

ELECTRICAL CHARACTERISTICS @ 25°C



SCHEMATIC



URNS RATIO

(1-3-2) : (7-5-6)  
(16-14-15) : (10-12-11)

1CT : 1CT  
1CT : 1CT

PHASING

1 TO 7 AND 16 TO 10 IN PHASE

OCL

(7-6) OPEN 1 & 2  
(10-11) OPEN 16 & 15

420uH MIN. AT 100kHz, 100mV  
WITH 8mA DC BIAS

INSERTION LOSS

1.0dB MAX AT 100kHz TO 80MHz

RETURN LOSS

MEASURED UNDER A 100 Ω  
ENVIRONMENT (16-15) TO (10-11)  
(6-7) TO (1-2)

FREQ	2MHz	10MHz	30MHz	45MHz	60MHz	80MHz
MIN.	20dB	20dB	19dB	16dB	13dB	12dB

RETURN LOSS

MEASURED UNDER 25 AND 100 Ω  
IMPEDANCE ENVIRONMENT ACROSS  
(16-14) AND (10-11)  
RESPECTIVELY

17dB MIN AT 5MHz & 10MHz

CMDR

40dB MIN AT 100kHz TO 50MHz  
30dB MIN ABOVE 50M TO 100MHz

CROSSTALK

HIPOT

30dB MIN AT 100kHz TO 100MHz  
PER HAND-WORK-03

DRWN	DATE	TITLE
DQ Chen	01-26-05	ELECTRICAL SPECIFICATION
CHKD	DATE	S558-5999-46-F
HQ	01-26-05	

PART NO. / DRAWING NO.	FILE NAME
X558599946-F	X558599946FA.DWG

STANDARD DIM.	[ ] METRIC DIM. AS REFERENCE
TOL. IN INCH	UNIT : INCH [mm] REV. : A
.X	SCALE : N/A SIZE : A4
.XX	PAGE : 2
.XXX	

STANDARD DIM.	[ ] METRIC DIM. AS REFERENCE
TOL. IN INCH	UNIT : INCH [mm] REV. : A
.X	SCALE : N/A SIZE : A4
.XX	PAGE : 2
.XXX	

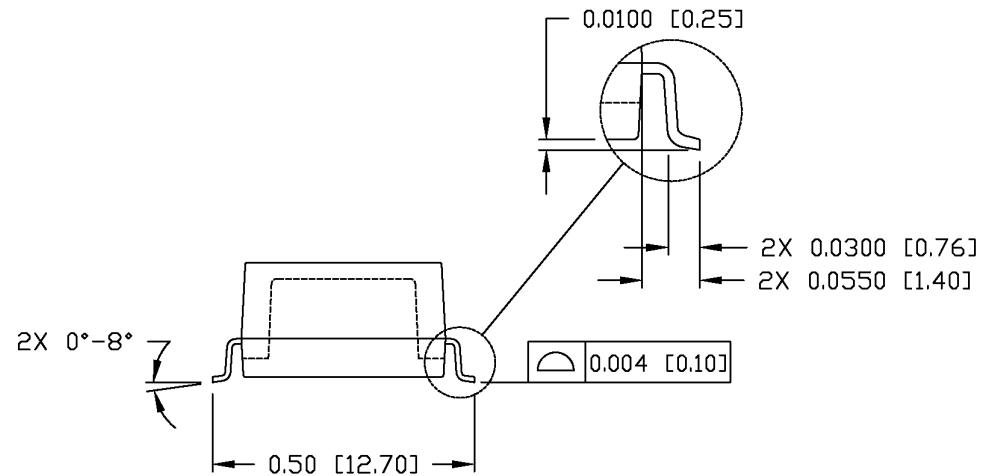
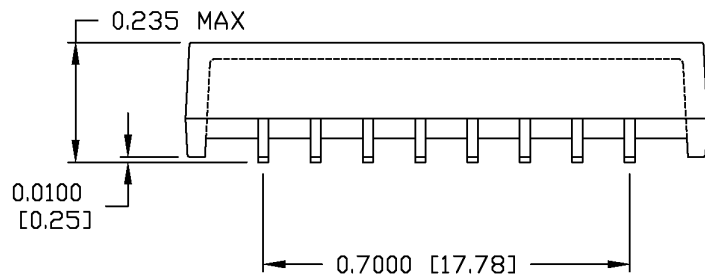
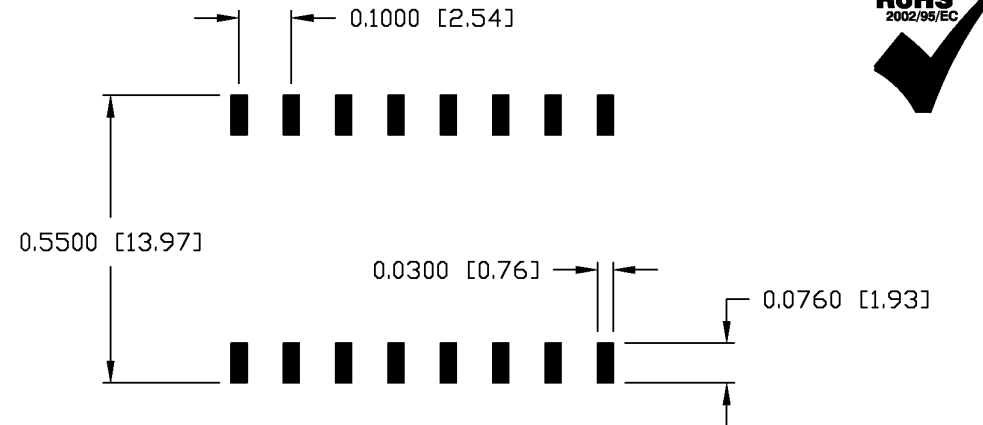
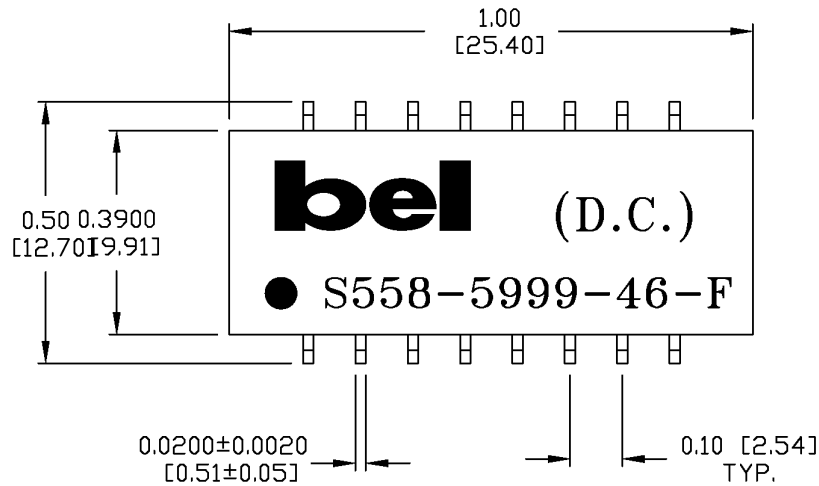
STANDARD DIM.	[ ] METRIC DIM. AS REFERENCE
TOL. IN INCH	UNIT : INCH [mm] REV. : A
.X	SCALE : N/A SIZE : A4
.XX	PAGE : 2
.XXX	

STANDARD DIM.	[ ] METRIC DIM. AS REFERENCE
TOL. IN INCH	UNIT : INCH [mm] REV. : A
.X	SCALE : N/A SIZE : A4
.XX	PAGE : 2
.XXX	



THE INFORMATION CONTAINED HEREIN IS CONSIDERED "PROPRIETARY" TO BEL FUSE INC. AND SHALL NOT BE COPIED, REPRODUCED OR DISCLOSED WITHOUT THE WRITTEN APPROVAL OF BEL FUSE INC.

SUGGESTED PCB PAD LAYOUT



NOTES:

- STANDARD MARKING REFER TO DOC. HAND-WORK-04.
- PACKAGE CODE: "RNS001".

DRWN	DATE	TITLE	PART NO. / DRAWING NO.	STANDARD DIM. TOL. IN INCH		[ ] METRIC DIM. AS REFERENCE		REV. :	bel
				.X	.XX	.XXX	UNIT : INCH [mm]		
DQ Chen	01-26-05	MECHANICAL DRAWING	X558599946-F	.X	±0.01	±0.005	UNIT : INCH [mm]	REV. : A	COMPONENTS FOR A CONNECTED PLANET
CHKD	DATE	S558-5999-46-F	FILE NAME	.XX	±0.01	.XXX	SCALE : N/A	SIZE : A4	
HQ	01-26-05		X558599946FADWG				SCALE : N/A	PAGE : 3	

FORM NO. - ENG02082001

This document is electronically generated. This is a controlled copy if used internally