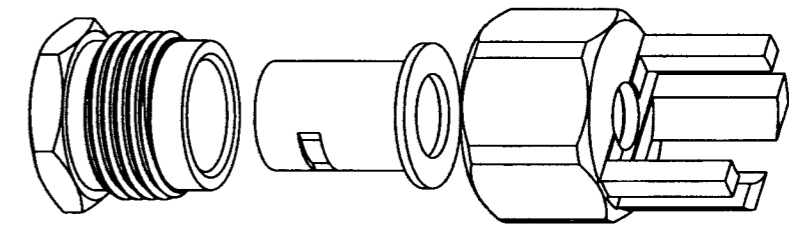


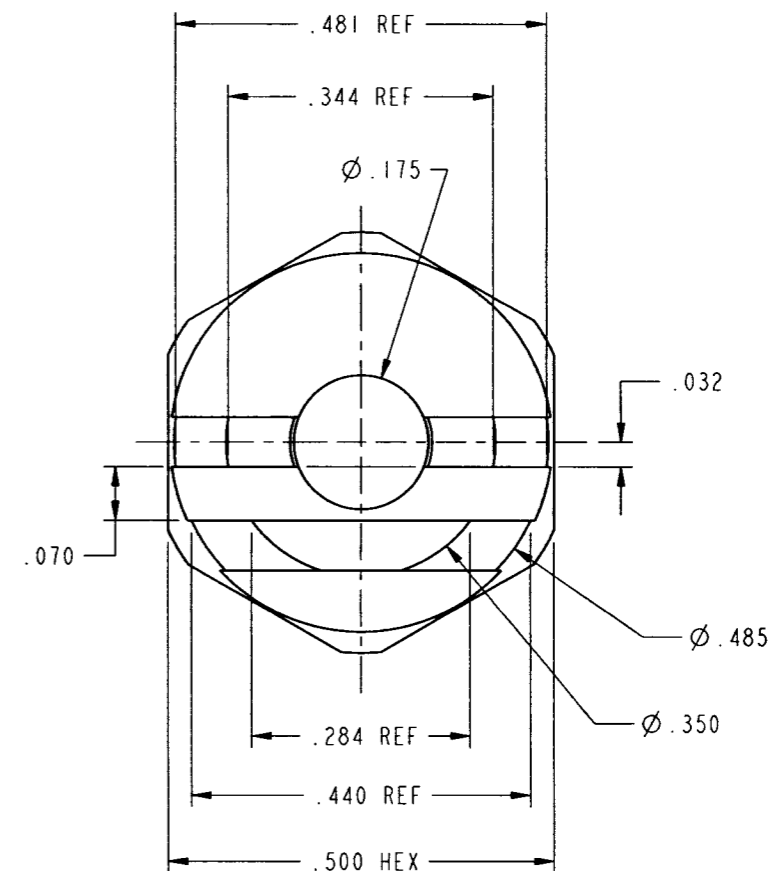
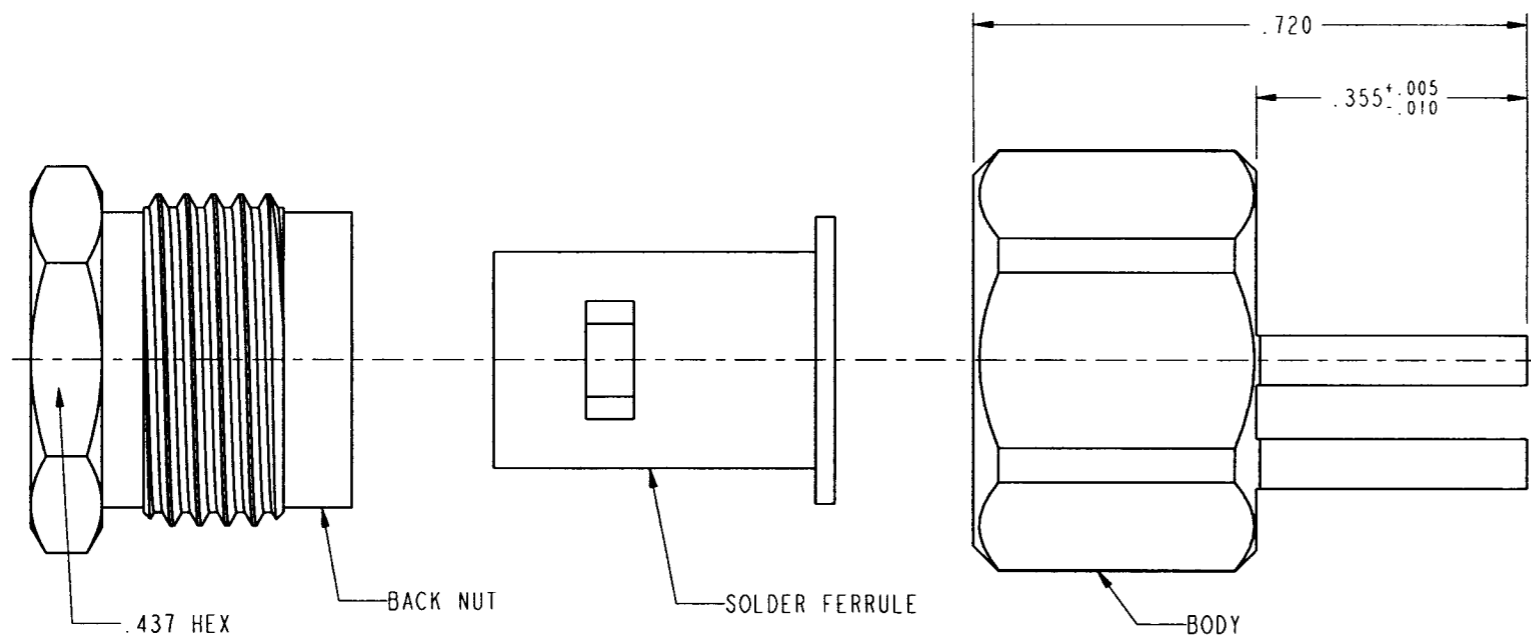
NOTES:

- MATERIALS OF CONSTRUCTION  
 BODY - BRASS, SILVER PLATED  
 HARDWARE - BRASS, SILVER PLATED
- FOR CABLE STRIPPING AND ASSEMBLY INSTRUCTIONS SEE  
 SEE AMPHENOL SPEC. 349-50604 W/ EXCEPTION:  
 .175" CENTER CONDUCTOR LENGTH WILL BE .425"  
 RECOMMENDED.

716-100		REVISIONS			
DRAWING NO.	REV	DESCRIPTION	DATE	ECO	APPR
THIRD ANGLE PROJ.	A	RELEASE TO MFG.	1/31/00	43246	CPM/DAB



SCALE 2.000



CUSTOMER OUTLINE DRAWING  
 FOR REFERENCE ONLY

UNLESS OTHERWISE SPECIFIED, DIMENSIONS ARE IN INCHES AND TOLERANCES ARE: 2 PLACE DECIMAL 3 PLACE DECIMAL ANGLES ±.015 (0.381 mm) ±.005 (0.127 mm) ± 1°	MATERIAL	DRAWN C. McGRATH	DATE 10/1/99	TITLE PC BOARD CONNECTOR FOR .250 S/R CABLE TO .062 THICK BOARD	<b>Amphenol</b> Amphenol Corporation Communication and Network Products Division Danbury, CT U.S.A. 06810		
	NOTICE - These drawings, specifications, or other data (1) are, and remain the property of Amphenol Corp. (2) must be returned upon request; and (3) are confidential and not to be disclosed to any person other than those to whom they are given by Amphenol Corp. The furnishing of these drawings, specifications, or other data by Amphenol Corp., or to any other person to anyone for any purpose is not to be regarded by implication or otherwise in any manner licensing, granting rights or permitting such holder or any other person to manufacture, use or sell any product, process or design, patented or otherwise, that may in any way be related to or disclosed by said drawings, specifications, or other data.	REFERENCE PN 716-100-0001 GEN# ASSYF9-716B EAR# 967170 (SIMILAR TO 716-39) (611X-3805-100-1)	ENGINEER OWEN BARTHELMES			DATE 10/1/99	SCALE: 4.0:1   SHEET 1 OF 1
		APPROVED 	DATE 1/16/00	CODE ID 74868	DWG SIZE B	DRAWING NO. 716-100	REV A